

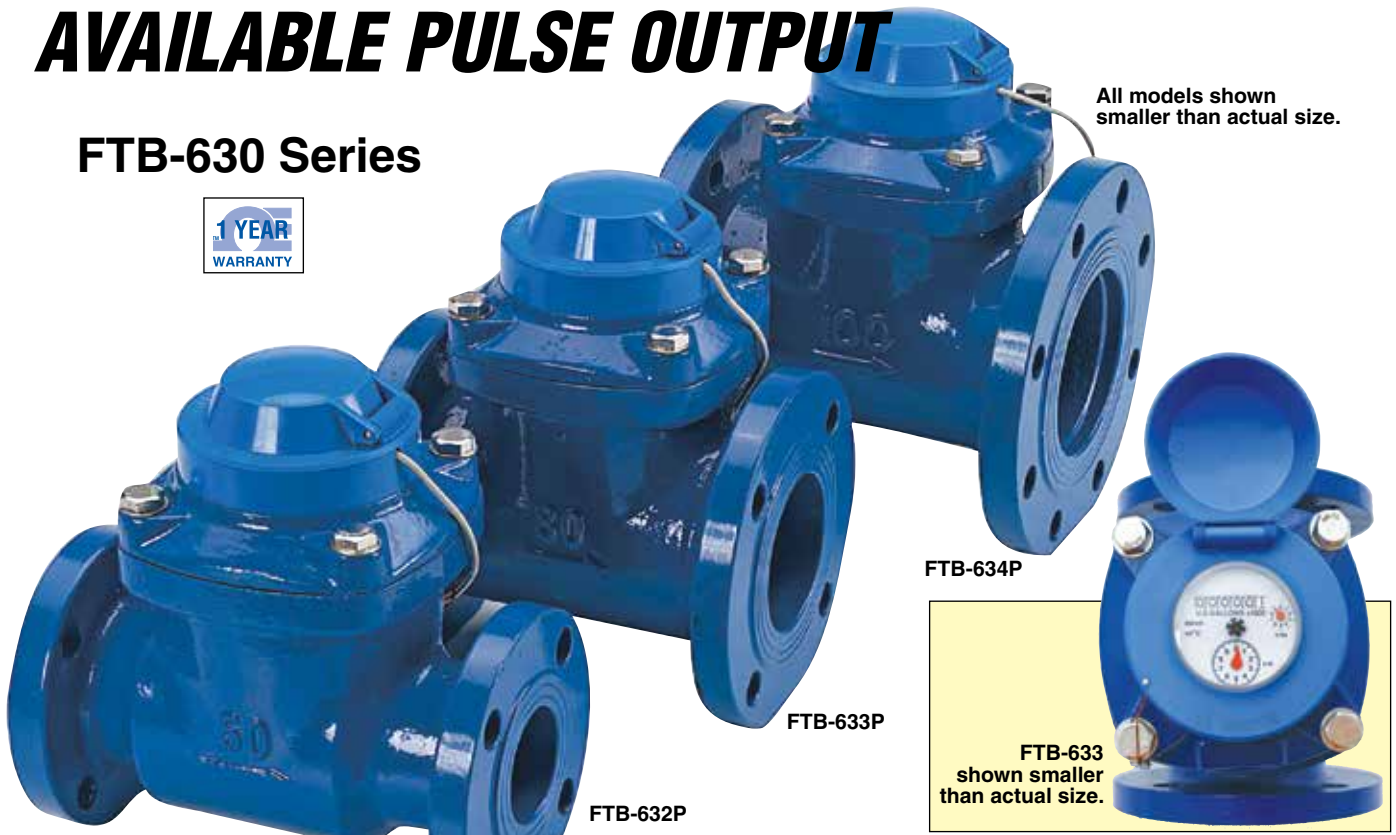
# TURBINE METER WITH AVAILABLE PULSE OUTPUT



## FTB-630 Series



All models shown smaller than actual size.

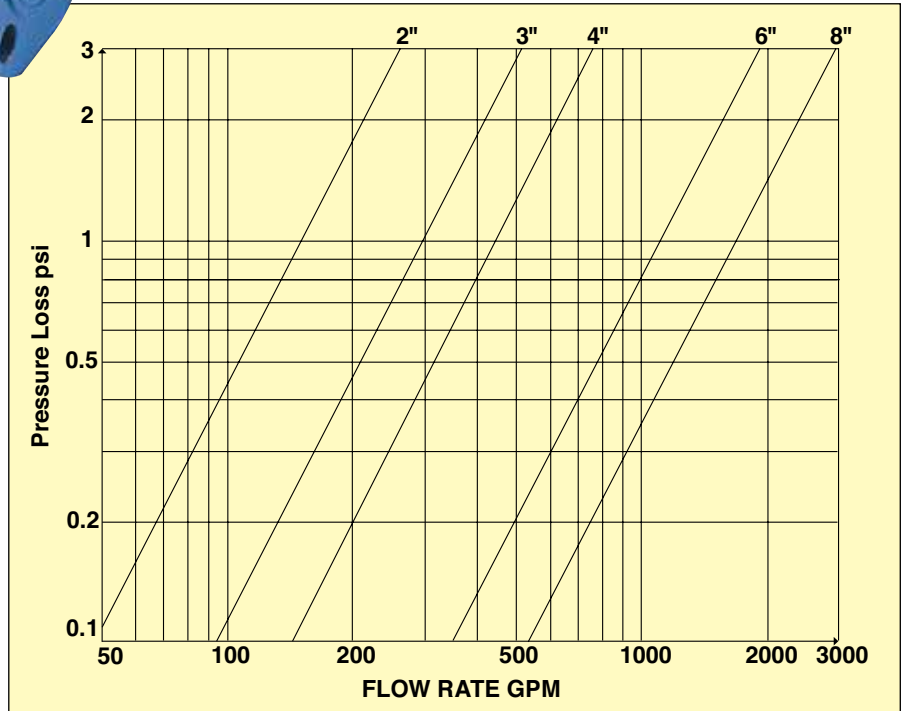


- ✓ **Non-Resettable Mechanical Totalizer**
- ✓ **2, 3, 4, 6, and 8" Pipe Sizes**
- ✓ **Pulse Output Available**
- ✓ **Rugged Construction**
- ✓ **Accurate and Economical**

The FTB-630 Series turbine meters are dry-register mechanical totalizers that offer accurate, economical reading of high flows with low pressure loss. The horizontal-axis turbine drives a vertical shaft, which is magnetically coupled to the sealed register.

In addition to mechanical totalizing, registers can be equipped with magnetic pulse reed sensors well suited for remote totalizing, pacing of electronic metering pumps, and water treatment applications.

Bodies are manufactured of tough cast iron and epoxy-coated for protection. Tungsten steel shafts and jewel bearings further enhance the durability of these meters. Simple removal of the top flange brings out all parts for inspection, repair, or replacement. The meter has a tamper-evident seal to call attention to unauthorized access.

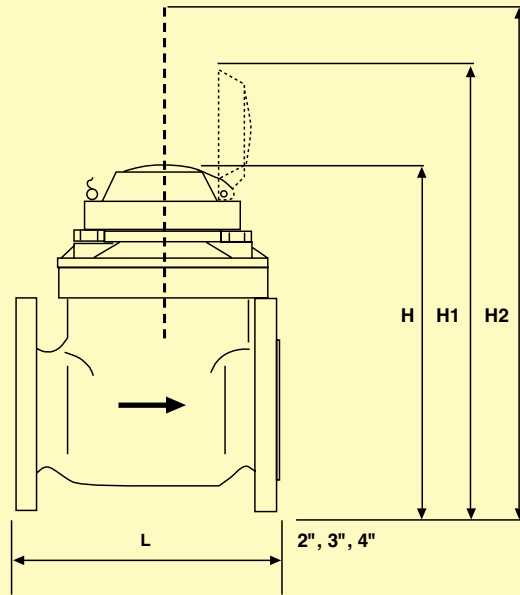


Flow Ranges GPM					
Pipe Size	2"	3"	4"	6"	8"
<b>Minimum</b>	2	5.3	8	20	33
<b>Maximum Continuous</b>	132	352	528	1320	220
<b>Maximum Intermittent</b>	165	440	660	1650	2750
<b>Transition*</b>	16	24	40	80	140

Dimensions: mm (inch)

Pipe Size	51 (2)	76 (3)	102 (4)
L	244 (9.625)	225 (8.86)	250 (9.84)
H	256 (10.08)	277 (10.87)	286 (11.26)
H1	328 (12.91)	348 (13.70)	358 (14.09)
H2	400 (15.75)	400 (15.75)	400 (15.75)
Weight kg (lb)	14 (31)	20 (45)	21 (47)
Flange O.D.	152 (6)	191 (7.5)	229 (9)

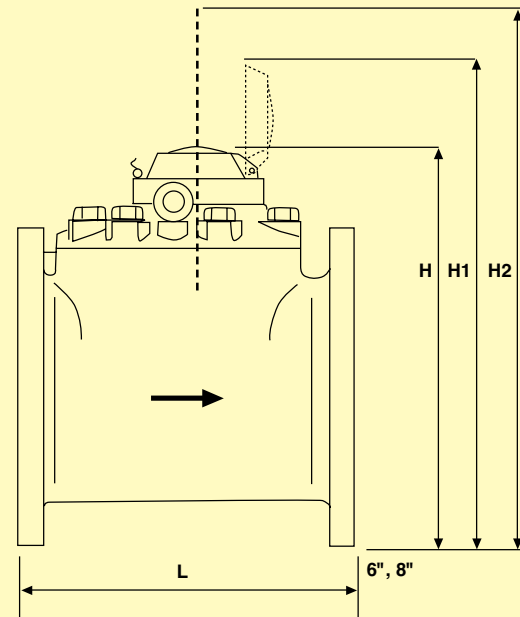
H1 = Lid clearance for reading display  
H2 = Head clearance for replacing turbine insert



Dimensions: mm (inch)

Pipe Size	152 (6)	203 (8)
L	300 (11.81)	350 (13.78)
H	345 (13.60)	375 (14.78)
H1	418 (16.44)	448 (17.62)
H2	500 (19.68)	500 (19.68)
Weight kg (lb)	43 (95)	59 (131)
Flange O.D.	279 (11)	343 (13.5)

H1 = Lid clearance for reading display  
H2 = Head clearance for replacing turbine insert



## SPECIFICATIONS

**Meter Body Materials:** Cast iron, epoxy coating

**Register Plate:** ABS plastic

**Drive Magnet:** Alnico

**Turbine:** Plastic

**Turbine Shafts:** Tungsten steel

**Bearings:** Jewel

**Flanges:** 150 lb. ANSI drilling

**Maximum Pressure:** 200 psi (14 bar)

**Maximum Temperature:** 40°C (105°F)

**Accuracy\*:**

**Above Transition:** ±2% of reading

**Below Transition:** ±5% of reading

**Reed Switch:** 100 mA @ 24 Vac/dc

**Cable Length:** 15 m (4.5')

\* See Flow Ranges chart on previous page.

## To Order

Model No.	Description
FTB-632	Water totalizer 2" 150 lb flange, no output
FTB-633	Water totalizer 3" 150 lb flange, no output
FTB-634	Water totalizer 4" 150 lb flange, no output
FTB-636	Water totalizer 6" 150 lb flange, no output
FTB-638	Water totalizer 8" 150 lb flange, no output
FTB-632P	Water totalizer 2" 150 lb flange 100 gallons/pulse output
FTB-633P	Water totalizer 3" 150 lb flange 100 gallons/pulse output
FTB-634P	Water totalizer 4" 150 lb flange 100 gallons/pulse output
FTB-636P	Water totalizer 6" 150 lb flange 1000 gallons/pulse output
FTB-638P	Water totalizer 8" 150 lb flange 10K gallons/pulse output

Comes complete with operator's manual.

**Ordering Examples:** FTB-632, 2" flanged water totalizer.

FTB-634P, 4" flanged water totalizer with pulse output.