

WEDGE FLOWMETER

Differential Pressure Design

FW1000 Series



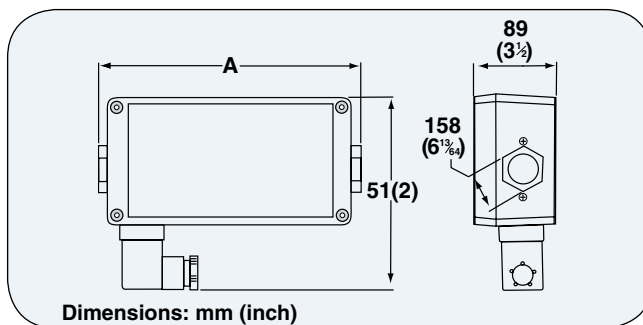
- ✓ No Required Inlet or Outlet Straight Plumbing
- ✓ High Accuracy and Repeatability
- ✓ Compact and Rugged
- ✓ Linear Analog Output

The FW1000 Series are minimally invasive, low-cost segmented wedge flow sensors. The segmented wedge element provides a simple and reliable restriction for sensing flow as related to pressure differential. The FW1000 design allows users to install the meter in any full pipe orientation (horizontal, vertical or inverted). It is compact and rugged measuring less than 254 mm (10") long and 89 mm (3½") wide, with a flanged mounting base for simple installation. This series is offered with several ranges of calibration to accommodate the requirements typical to process water applications. Three standard NPT port sizes are available to accommodate installations. The standard unit can also be converted to a 1 to 10 Vdc output in the field.

Economical Unique Design



FW1105 shown smaller than actual size.



SPECIFICATIONS

- Accuracy:** ±2% of full-scale
- Repeatability:** ±0.5% of full-scale
- Maximum Operating Pressure:** 8.6 bar (125 psig)
- Maximum Operating Temperature:** 76°C (170°F)
- Standard Test Media:** Tap water @ 21°C (70°F)
- Electronic Output:**
 - Standard: 0 to 5 Vdc, 1 to 10 Vdc
 - Optional: 4 to 20 mA
- Power Requirements:** 12 to 35 Vdc
- Flow Measuring Range:** 0.5 to 15 GPM (1.9 to 57 LPM) full-scale
- Turn Down Ratio:** 10:1
- Maximum Current Consumption:** <50 m Adc
- Minimum Load Resistance:** 1000 Ω
- Maximum Transmission Distance:** <61m (<200')
- Resolution:** Infinite
- Response Time:** <500 ms to 90% (step change)
- Protection:** Short circuit, transient and reverse polarity
- End Ports:** PVC
- Wedge Element:** PVC
- Pressure Sensor:** Polyetherimide
- Electrical Enclosure:** Polycarbonate

Size	¾ Female NPT	½ Female NPT	¾ Female NPT
A	197 (7¾)	197 (7¾)	254 (10)

To Order	
Model No.	Description
FW1105	PVC wedge flowmeter ¾ NPT, 0.5 to 5 GPM
FW1110	PVC wedge flowmeter ¾ NPT, 1 to 10 GPM
FW1115	PVC wedge flowmeter ¾ NPT, 1 to 15 GPM
FW1205	PVC wedge flowmeter ½ NPT, 0.5 to 5 GPM
FW1210	PVC wedge flowmeter ½ NPT, 1 to 10 GPM
FW1215	PVC wedge flowmeter ½ NPT, 1 to 15 GPM
FW1305	PVC wedge flowmeter ¾ NPT, 0.5 to 5 GPM
FW1310	PVC wedge flowmeter ¾ NPT, 1 to 10 GPM
FW1315	PVC wedge flowmeter ¾ NPT, 1 to 15 GPM

Accessories

Model No.	Description
PSU-93	Unregulated 24 Vdc power supply
TX4-100	4-conductor cable 30 m (100') spool

Comes complete with operator's manual.
 For units with 4 to 20 mA output, in place of the 0 to 5 V output, add "-I" to the model number, no additional charge.
Ordering Examples: FW1210, PVC wedge flowmeter, ½ NPT, 1 to 10 GPM, DPF64, digital rate meter and TX4-100, multi conductor wire.
 FW1315, PVC wedge flowmeter, ¾ NPT 1 to 15 GPM, and PSU-93 power supply.