

HEAVY-DUTY SIDE-MOUNTED LEVEL SWITCH

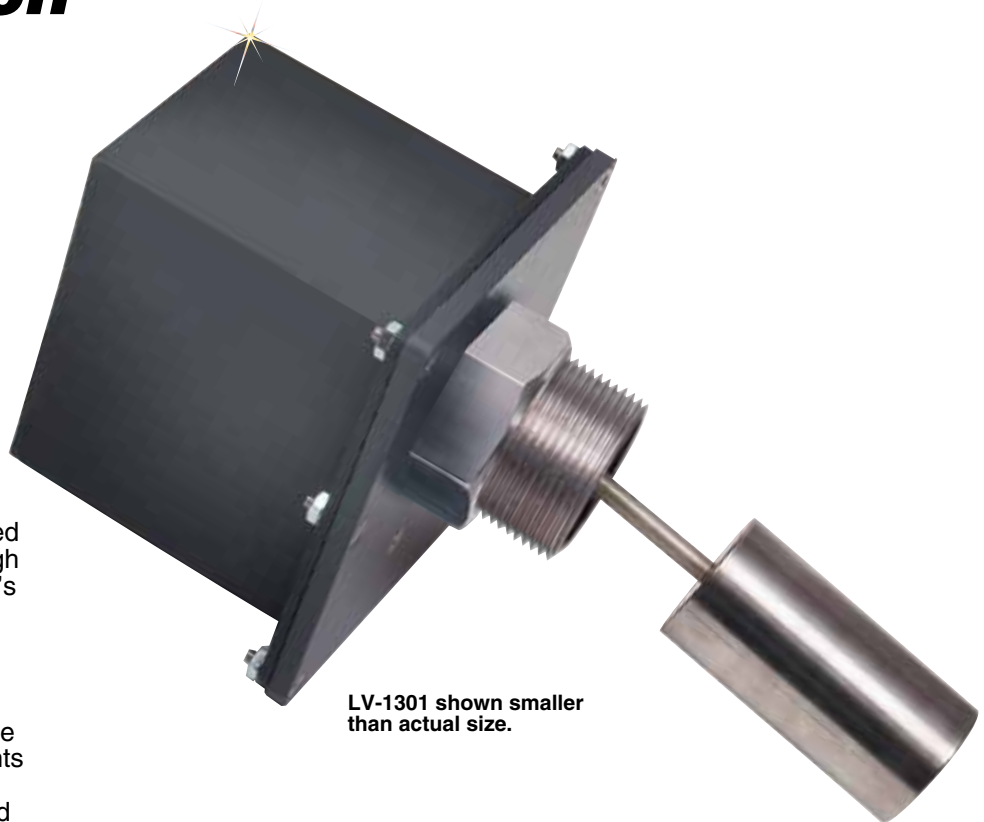
LV-1301



- ✓ Rugged Design
- ✓ Field Serviceable
- ✓ Allows for Direct Switching
- ✓ 20 Amp Relay

The LV-1301 rugged, side-mounted liquid-level switch produces enough electrical power to control a pump's on/off action directly. This makes intermediate relays unnecessary, thereby lowering cost.

The LV-1301's design allows for disassembly and cleaning after use with liquids containing contaminants or causing residual buildup. Such periodic maintenance helps extend the switch's service life.



LV-1301 shown smaller than actual size.

SPECIFICATIONS

Electrical:

20 A @ 125, 250 or 480 Vac,
 10 A @ 125 Vac inductive,
 1 hp @ 125 Vac, 2 hp @ 250 Vac,
 ½ A @ 125 Vdc, 0.25 A @ 250 Vdc

Switch Type:

SPDT microswitch, screw terminals

Max Operating Pressure:

6.89 bar (100 psig)

Max Operating Temperature:

125°C (257°F)

Wetted Materials:

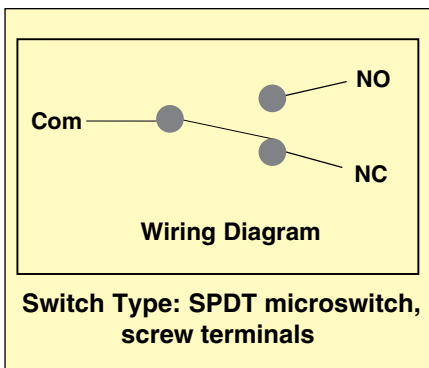
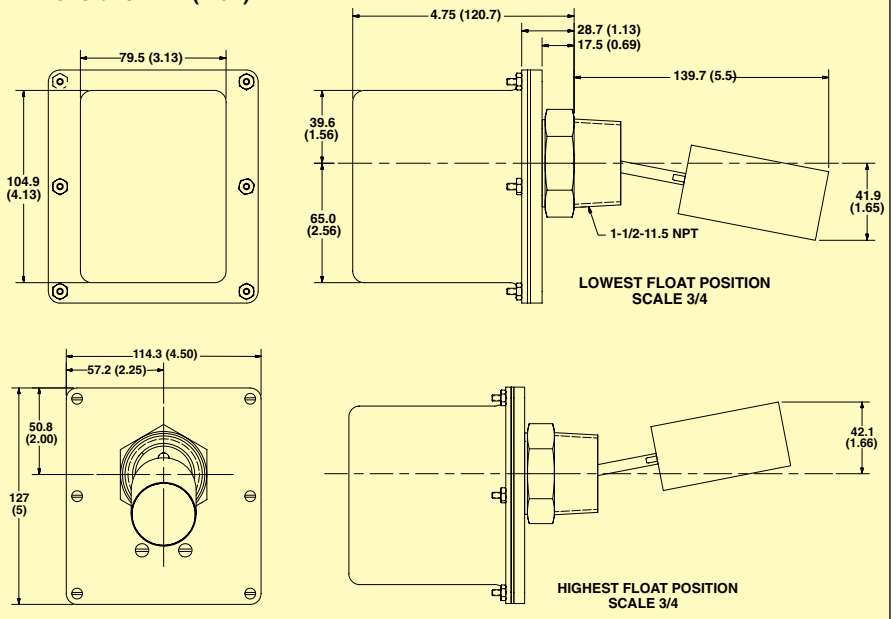
304 SS, standard

Float Specific Gravity: 0.60

Mounting Box Enclosure:

Epoxy, PVC with FKM sealing gasket

Dimensions: mm (inch)



To Order Visit omega.com/lv-1301 for Pricing and Details

Model No.	Description
LV-1301	1½ NPT side-mount level switch

Comes complete with operator's manual.

Ordering Examples: LVU-1301, 1½ NPT side-mount level switch.