

NON-MAGNETIC LIQUID LEVEL SWITCHES

With 15 A SPDT Switch



LV-1100/1200 Series



- ✓ Rugged Industrial Design
- ✓ Non-Magnetic Design—Suitable for Rusty Environments
- ✓ 15 A SPDT Switch Directly Controls Pump
- ✓ For Side Mounting Only

The LV-1100 and 1200 level switches feature a non-magnetic design suitable for applications where magnetic particles (i.e., rust) are present. The LV-1100 series also features rugged metal construction and a buoyancy adjustment to allow the unit to be used with fluids down to SG (specific gravity) = 0.6. The LV-1200 series features plastic and 316 SS or Hastelloy® C construction for more corrosive applications or where the low cost of plastic construction is an advantage.

SPECIFICATIONS

Relay Switch:

SPDT 15 A @ 125 or 250 Vac;
10,000,000 operations median

Max Temperature/Pressure:

LV-1100 Series:

300 psig @ 82°C (180°F)

LV-1202: 75 psig @ 93°C (200°F),

100 psig @ 23°C (75°F)

LV-1201: 75 psig @ 23°C (75°F),

200 psig @ 10°C (50°F)

LV-1203: 75 psig @ 93°C (200°F),

100 psig @ 230°C (75°F)

Liquid Level Change to Actuate Switch: ¼" Size:

LV-1100: Fits through 2 NPT hole

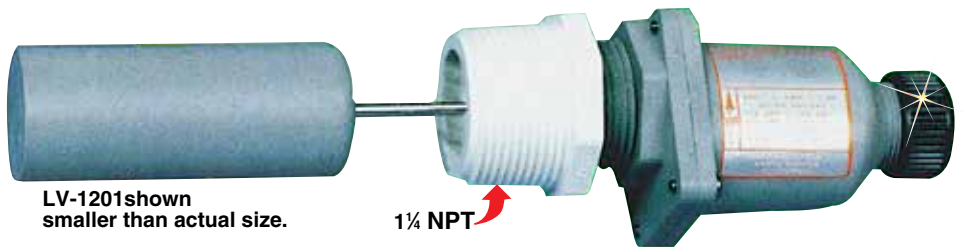
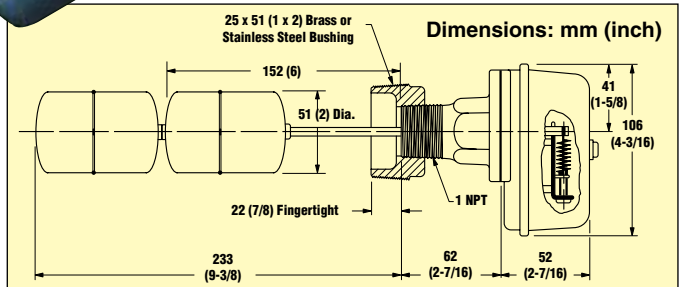
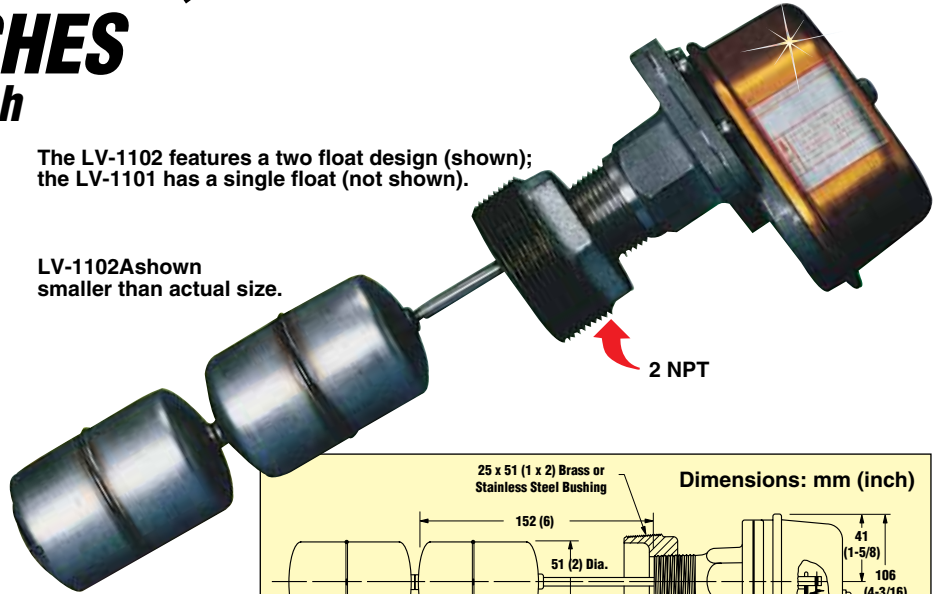
LV-1200: Fits through 1¼" hole

Water Resistant Strain Relief Fitting (LV-1200):

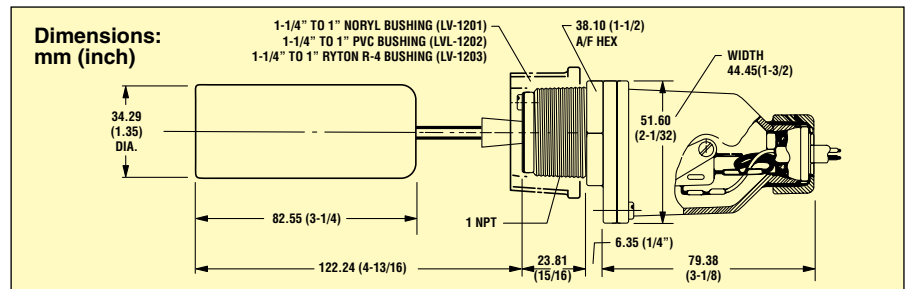
For cable diameters
0.250" ±0.025"

The LV-1102 features a two float design (shown); the LV-1101 has a single float (not shown).

LV-1102As shown smaller than actual size.



LV-1201shown smaller than actual size.



To Order

Model No.	Wetted Parts	Min Specific Gravity	Weight kg (lb)
LV-1101A	Red brass, phosphor bronze 316 SS hardware, 304 SS, EPDM seal, cork-chloroprene gasket, Noryl® cover	0.6	1.36 (3)
LV-1102A	316 SS and 302 SS, FKM, PTFE, Noryl cover	0.6	1.36 (3)
LV-1201	Noryl (a phenylene oxide based resin), 316 SS, EPDM	0.6	0.17 (½)
LV-1202	PPS, 316 SS, FKM, PVC	0.7	0.17 (½)
LV-1203	PPS, Hastelloy C, FKM	0.7	0.17 (½)

Comes complete with operator's manual.

Ordering Examples: LV-1101A, brass side mount level switch.

LV-1201, Noryl, 316 SS side mount level switch.