

INTRUSIVE RF CAPACITANCE LEVEL SWITCH

LVC-101-R Series



- ✓ SPST Relay Standard
- ✓ High Frequency (RF) Operation Ensures Accuracy and Reliability
- ✓ Selectable Normally Open or Normally Closed
- ✓ NEMA 6 (IP68) Submersible Sensor and Cable
- ✓ Mounted in Any Orientation, Wet or Dry

OMEGA's intrusive RF capacitance sensors deliver accurate and reliable liquid level detection with a SPST relay. RF capacitance technology provides a high level of dielectric sensitivity,

The sensor is impervious to variations in temperature, pressure, light, particulates, liquid color or density. Factory calibration ensures reliability with a wide range of polar liquids.

Note: Not for use in metal tanks.

SPECIFICATIONS

Accuracy: ±1 mm (0.04") in water

Repeatability: ±0.5 mm (0.02")

Dielectric Range: 20 to 80 dielectric units @ 1 MHz

Voltage Input: 12 to 36 Vdc

Current Output: 25 mA maximum

Relay: GP: 120 Vac/Vdc @ 1 A

CE: 60 Vac/Vdc @ 1 A

Switch Mode: Selectable, NO or NC states

Wetted Materials: Polypropylene (PP) or Perfluoroalkoxy (PFA)

Temperature Rating:

-40 to 90°C (-40 to 194°F)

Maximum Pressure Rating:

PP: 150 psi @ 25°C (76°F) derated @ 1.667 psi per °C above 25°C (76°F)

Enclosure Rating: NEMA 6 (IP68) submersible sensor and cable

Loop Resistance: 600 Ω @ 24 Vdc

Standard Cable Length: 3 m (10')

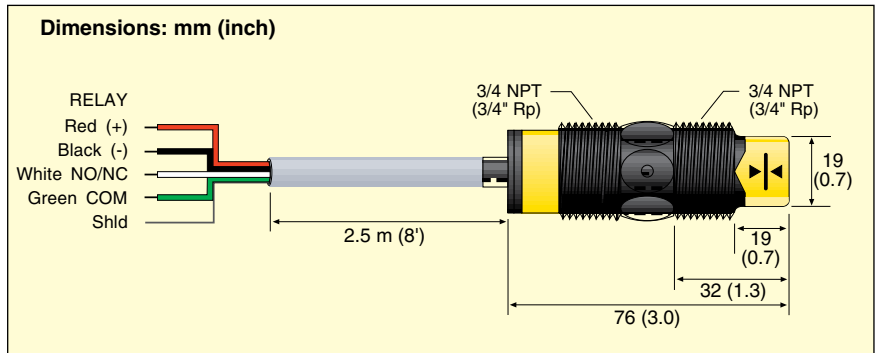
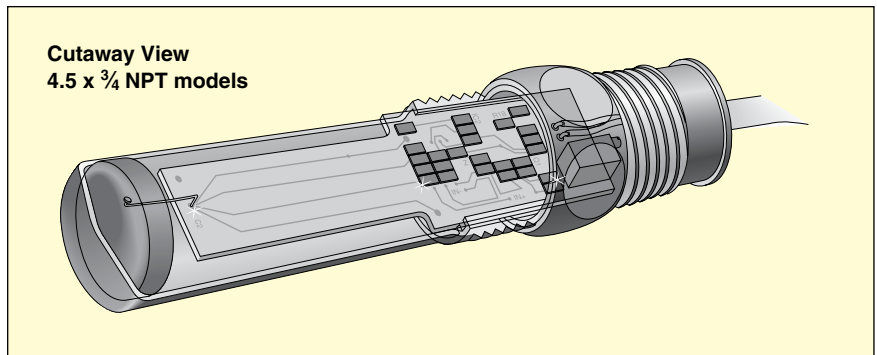
Maximum Cable Length: 305 m (1000')

Dimensions: 7.6 or 11.4 x 2.67 cm (3.0 or 4.5 x 1.05"); ¾ NPT connection

Single Switch Mounting Assemblies Available



LVC-101-R shown smaller than actual size.



To Order			
Model No.	Description	Material	Size (inch)
LVC-101-R	RF capacitance sensor	PP	3 x ¾ NPT
LVC-102-R	RF capacitance sensor	PFA	3 x ¾ NPT
LVC-103-R	RF capacitance sensor	PP	4.5 x ¾ NPT
LVC-104-R	RF capacitance sensor	PFA	4.5 x ¾ NPT

Comes complete with operator's manual and 3 m (10') cable.

Two extended cable lengths available. For 7.62 m (25') add suffix "-25" to model number, for PP models, or PFA models, for additional cost. For 15.24 m (50') add suffix "-50" to model number, for PP models, or PFA models, for additional cost.

Ordering Examples: LVC-102-R, PFA sensor, 3 x ¾ NPT.

LVC-104-R, RF capacitance sensor, 4.5 x ¾ NPT.