

# FLOW SWITCH REMOTE CONTROLLERS

B

## LVCN-141



- Remote Relay Controller Mounts on 35 mm DIN Rail or Panel Installation
- Fail-Safe Relay for Actuation of Pumps, Valves or Alarms
- Offered in One and Two Relay Configurations
- LED Indicators for Sensor, Relay and Power Status
- 0 to 60 Second Time Delay Dampens Out Relay Chatter
- Invert Switch Provides Simple NO or NC Relay Operation

The LVCN-141 flow switch controller is commonly used as a low flow shut off for pumps or process protection with a single switch input. The LVCN-131 flow switch controller is commonly used as a dual low flow shut off for pumps or process protection with two independent switch inputs. Select the FST-200/320 series flow switches only for use with these remote relay controllers.



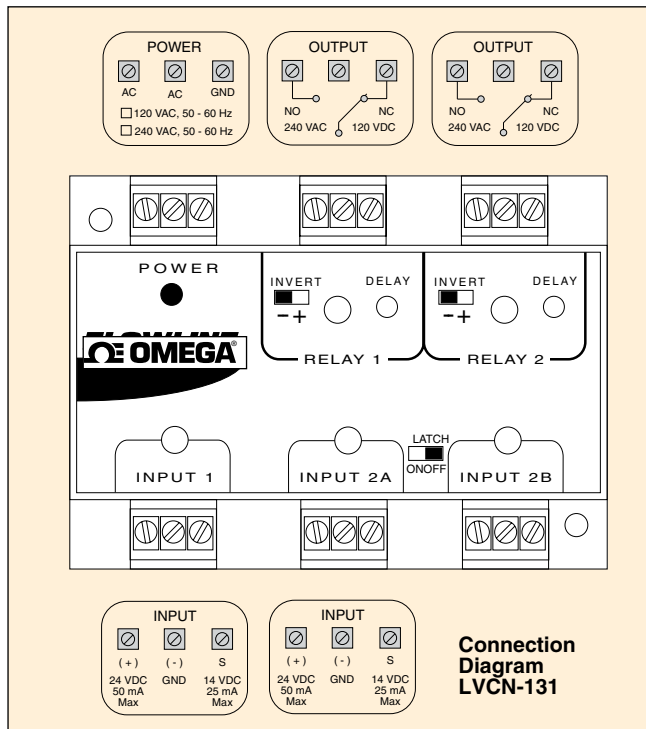
LVCN-141 shown smaller than actual size.



LVCN-131 shown smaller than actual size.

## SPECIFICATIONS

- Supply Voltage:** 120/240 Vac, 50 to 60 Hz
- Consumption:** 5 Watts
- Sensor Supply:** 13.5 Vdc @ 100 mA
- Relay Type:** LVCN-141: (1) SPDT; LVCN-131 (2) SPDT
- Relay Load:** 250 Vac, 10 A, ½ hp
- Relay Model:** Selectable, NO or NC
- Time Delay:** 0 to 60 seconds
- LED Indication:** Sensor, relay and power status
- Fail Safety:** Power fail-safe
- Temperature Rating:** -40 to 70°C (-40 to 158°F)
- Enclosure Type:** 35 mm DIN (EN 50 022)
- Enclosure Material:** Polypropylene (U.L. 94V0)
- Dimensions:** 99 L x 69 W x 91 mm D (3.9 x 2.7 x 3.6")



## To Order

Model No.	Description
LVCN-141	Flow or no-flow controller
LVCN-131	Dual flow or no-flow controller

The above mentioned prices are based on the general purpose controller configuration.

For CE approved transmitter configuration, add suffix “-CE” to model number, for additional cost. The CE approved configuration complies with EN50082-2 immunity, EN55011 emission and EN 61010-1 safety standards. Select the FST200/320 Series only for use with these controllers.

**Ordering Example:** LVCN-131-CE, CE approved dual flow or no-flow controller.