

NON-CONTACT LEVEL CONTROLLER FOR SMALL TANK APPLICATIONS

LVCN414 Series

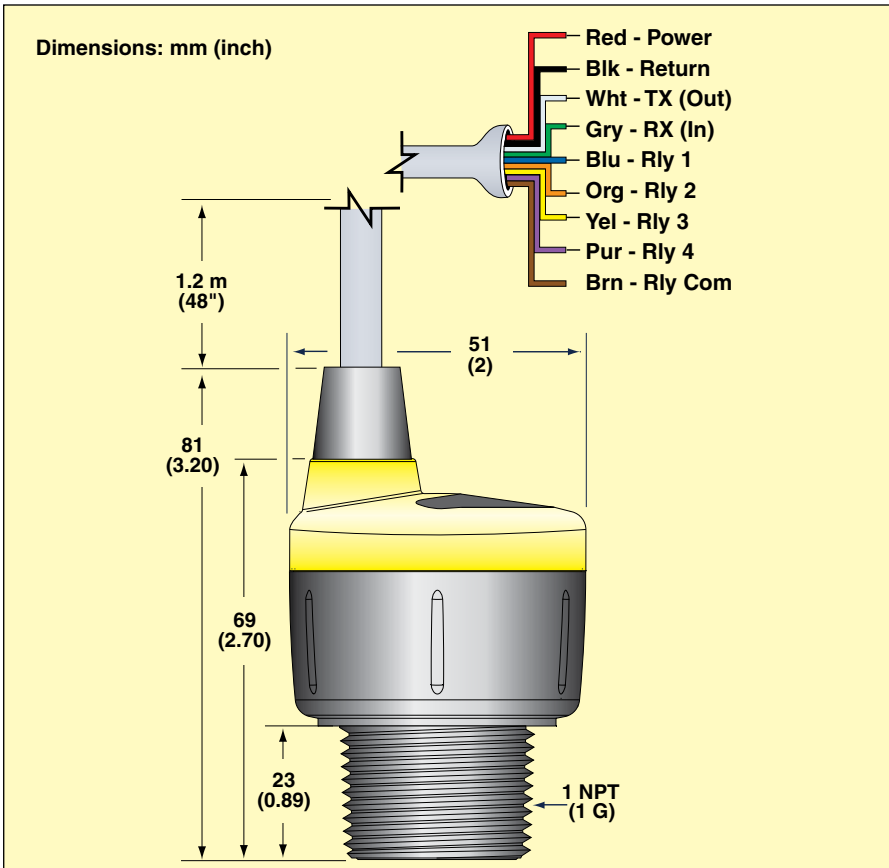


- ✓ Reliable, Non-Contact Replacement for Continuous and Switching Applications
- ✓ Compact Sensor Optimized for Small Tank Applications
- ✓ Control/Switch Functions for Pumps and Alarms
- ✓ PVDF Transducer for Corrosive Liquid Media
- ✓ Simple Installation and Setup with USB Connection and Free Software Download From omega.com/ftp
- ✓ Current, Voltage and Relay Only Models Available

LVCN414-USB (one required) shown smaller than actual size



LVCN414-B shown smaller than actual size



The LVCN414 Series is a non-contact, ultrasonic level controller and transmitter that delivers reliable, cost-effective, high-performance, small-tank fluid handling control solutions. The LVCN414 targets process, control and chemical feed applications in small tanks mounted on skids, tools or machines. The LVCN414 allows flexibility in applications designed for system integration or retrofit of floats, conductance, and pressure sensors, and is easily configured through a USB connection and the Windows XP compatible software download from omega.com/ftp.

The LVCN414 gives precision and accuracy that allows for real-time/anytime measurement, lowering operational costs and increasing productivity. Level indication for process or control automation applications can be monitored via local display or remote PLC. The LVCN414 is a total small tank level control and measurement solution.



LVCN414-I-B



LVCN414-R-B



LVCN414-V-B

SPECIFICATIONS

Range: 1.25 m (49.2")

Accuracy: 3 mm (0.125")

Resolution: 0.5 mm (0.019")

Beam Width: 5 cm (2")

Deadband: 5 cm (2")

Supply Voltage: 24 Vdc, 12 to 24 Vdc/
Vac (LVCN414-R models)

Loop Resistance: 400 maximum

Consumption: 0.5 W

**Signal Output (LVCN414 and
LVCN414-I):** 4 to 20 mA, 2-wire
(when loop powered)

Signal Output (LVCN414-V):

0 to 5 Vdc, 0 to 10 Vdc or
976 to 2000 Hz

**Contact Type (LVCN414 and
LVCN414-R):** (4) SPST relays 1A

**Analog Fail-Safety (LVCN414,
LVCN414-I and LVCN414-V):**

Full, empty or hold last

**Relay Fail-Safety (LVCN414 and
LVCN414-R):**

Power Loss: Hold last

Power On: Open, close or hold last

**Hysteresis (LVCN414 and
LVCN414-R):** Selectable

Configuration: Via USB/PC Windows®
software download from omega.com/ftp

Temperature Compensation:
Automatic over range

Temperature: -35 to 60°C
(-31 to 140°F)

Enclosure: NEMA 6P (IP68)

Enclosure Material: PC/ABS FR

Strain Relief Material: Santoprene

Transducer Material: PVDF

Cable Length: 1.2 m (4')

Cable Jacket Material: PVC

Process Mount: 1 NPT

Mounting Gasket: FKM

Classification: General purpose

Approvals: CE

To Order

Model No.	Description
LVCN414	Level transmitter 4 to 20 mA and 4 relays, and USB connector, 1.2 m (4') range
LVCN414-I	Level transmitter 4 to 20 mA output, and USB connector, 1.2 m (4') range
LVCN414-R	Level switch with 4 relays, and USB connector, 1.2 m (4') range
LVCN414-V	Level transmitter voltage or frequency output, and USB connector, 1.2 m (4') range
LVCN414-B	Level transmitter 4 to 20 mA and 4 relays, 1.2 m (4') range (requires LVCN414-USB)
LVCN414-I-B	Level transmitter 4 to 20 mA output, 1.2 m (4') range (requires LVCN414-USB)
LVCN414-R-B	Level switch with 4 relays, 1.2 m (4') range (requires LVCN414-USB)
LVCN414-V-B	Level transmitter voltage or frequency output, 1.2 m (4') range (requires LVCN414-USB)
LVCN414-USB	USB connector; download configuration software
LVM31	Mounting reducer 1" female NPT to 2" male NPT

Comes complete with operator's manual.

Configuration software for programming available free at omega.com/ftp

Ordering Example: LVCN414, level transmitter with relays and USB connector, 1 NPT 1.2 m (4') range.