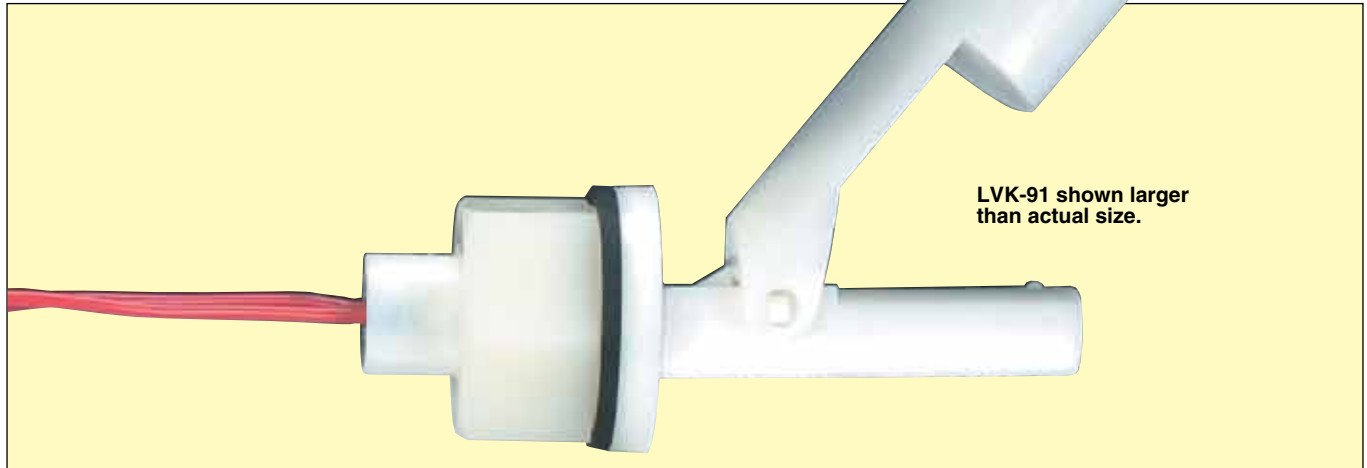
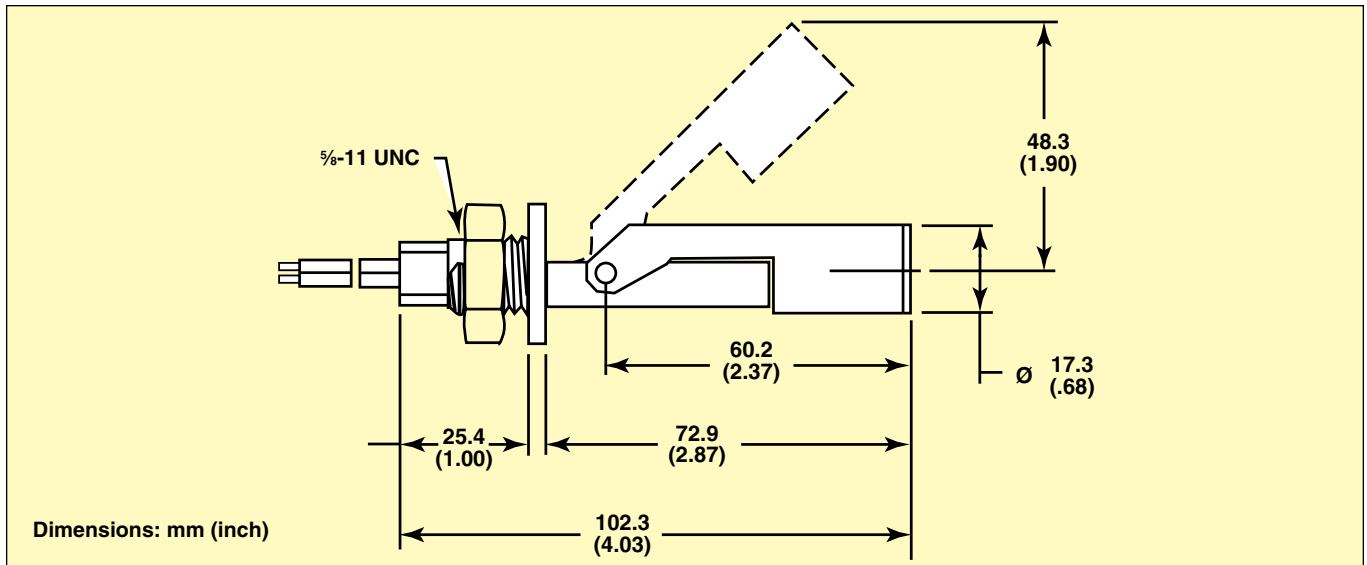


# DIRECT SIDE MOUNTED LEVEL CONTROLS



LVK-91 shown larger than actual size.



Dimensions: mm (inch)

## LVK-91



- ✓ Ideal For Tanks With Inaccessible Tops or Bottoms
- ✓ Convenient Side Mounting in Small Tanks
- ✓ Very Compact Size
- ✓ Selectable Normally Open or Normally Closed

The OMEGA® LVK-91 single station horizontal level switch is cost effective for level control applications in small tanks where it is more convenient to install a level switch through the sidewall of the tank. When the float arm is raised to the switch housing, the switch is activated. As the float drops away from the housing, it is deactivated.

The movement of the float brings the imbedded magnet into close proximity to the encapsulated reed switch, causing it to actuate. The contact function may be selected as either normally open or normally closed.

## SPECIFICATIONS

- Thread:** 5/8-11 UNC
- Temperature Range:** -40 to 107°C (-40 to 225°F)
- Max. Pressure Rating:** 6.89 bar (100 psi) @ 21°C (70°F)
- Min. Sp. Gravity Liquid:** 0.65
- Switch Rating:** 20 VA
- Orientation:** Horizontal
- Switch:** SPST, reed switch
- Wetted Parts Material:** Polybutylene Terephthalate

## To Order

Model No.	Description	Material	Mounting
LVK-91	Single station horizontal switch	PBT	5/8-11 UNC

Comes with complete operator's manual.

Ordering Example: LVK-91, 1/2" NPT single station horizontal switch.