

COMBINATION LEVEL/TEMPERATURE SENSORS



CNI833 shown smaller than actual size.

LVM-50J shown smaller than actual size.

LVM-140K



- ✓ Compact Design
- ✓ Low Cost
- ✓ User Selectable Normally Open or Closed

OMEGA offers many of its liquid level switch products with temperature sensing capabilities. The incorporation of thermocouples or RTD's can offer the user the ability to determine level and temperature in the vessel and save the cost of having dual mounting considerations. Linked with OMEGA's cable assemblies and CNI Series Controllers, combination sensors can provide a readout of the environmental conditions, as well as the capability to turn associated equipment on and off.

The LVM-50 Series is a 316SS vertical float switch.

The LVM-140 Series is a miniature polypropylene vertical float switch. Each model has a J thermocouple or K thermocouple or thin-filmed 100Ω 3-wire RTD offered for temperature measurement.

SPECIFICATIONS

Electrical Lead Wires:

22 AWG PTFE 0.6 m (24") Long

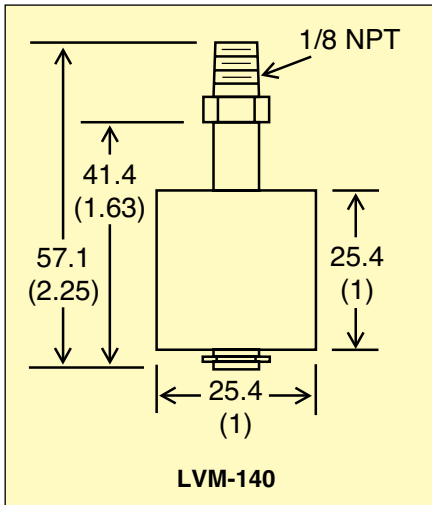
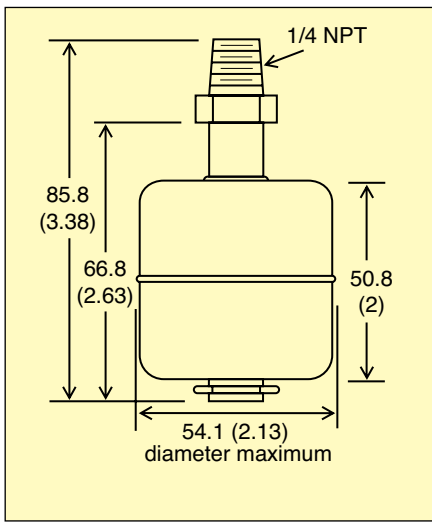
Thermocouple or 100Ω RTD Wires:

0.6 m (24") Long

Mounting Thread:

LVM-50: ¼ NPT

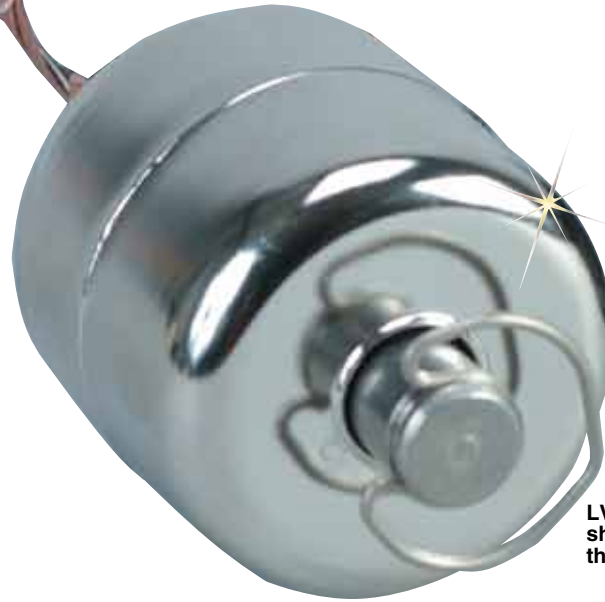
LVM-140: ⅜ NPT



Dimensions: mm (inch)



70A-1 shown smaller than actual size.



LVM-50J shown smaller than actual size.

To Order

Model No.	Stem/Float Material	Float S.G.	Switch Action	Switch Rating	Maximum Temperature °C (°F)	Maximum Pressure bar (psig)	Temperature Sensor
LVM-50J	316SS	0.55	NC	60	200 (392)	13.8 (200)	J Thermocouple
LVM-50R	316SS	0.55	NC	60	200 (392)	13.8 (200)	Thin Film RTD
LVM-50J-SPDT	316SS	0.55	SPDT	60	200 (392)	13.8 (200)	J Thermocouple
LVM-50K-SPDT	316SS	0.55	SPDT	60	200 (392)	13.8 (200)	K Thermocouple
LVM-140K	Polypropylene	0.6	NC	30	105 (221)	6.8 (100)	K Thermocouple

Comes complete with operator's manual.

Add "-NO" to model number for normally open. No additional charge.

Ordering Example: LVM-50R, 316SS normally closed switch with thin-film RTD.

Accessories

Model No.	Description
CNi833	Temperature controller with alarms
EXFF-J-20-TWSH-50	15.2 m (50') 20 AWG extension grade J twisted and shielded thermocouple wire
EXFF-K-20-TWSH-50	15.2 m (50') 20 AWG FEP extension grade K twisted shielded thermocouple wire
SMPW-J-M	Miniature male J thermocouple connector
SMPW-K-M	Miniature male K thermocouple connector
MTP-U-M	Miniature male RTD connector, 3-wire
70A-1	Continuous tone alarm