

TWO WIRE LIQUID LEVEL FLOAT TRANSMITTER

LVR50 Series



- ✓ **Stainless Steel Construction for a Full Range of Chemically Compatible Liquids**
- ✓ **Ideal for Use in Chemicals with a Specific Gravity of 0.75 or Greater**
- ✓ **Rugged Enclosure Rated NEMA 4X (IP65) for General Purpose or NEMA 7 (IP65) for Hazardous Areas**
- ✓ **Continuously Monitor Liquid Levels with Proportional 4 to 20 mA Output**

APPLICATION VARIABLES

	Variable	Yes	No
Liquid	General Purpose	✓	
	Intrinsically Safe		✓
	Conductive	✓	
	Non-conductive	✓	
	Δ Conductivity	✓	
	Foam	✓	
	Vapors	✓	
	Δ Gas Density	✓	
	Contact	✓	
	Clean	✓	
	Dirty		✓
	Non-coating	✓	
	Ambient Pressure	✓	
	Low Pressure	✓	
	Medium Pressure	✓	
	Coating		✓
	Non-contact		✓
	Integral Relay		✓
	Vacuum	✓	

A single float is attached to a stainless steel rod, which is installed through the top of the tank. Internal to the rod is a series of reed switches designed to open and close as the float changes with the liquid level. The internal magnets within the float will open or close the reed switches in a "2-3-2 at-a-time" sequence, which enables the transmitter to provide accurate level indication. With every movement of the float, either one additional switch closes or opens providing a 4 to 20 mA output.

SPECIFICATIONS

Range: 12.7 cm to 1.8 m (5" to 72")

Accuracy: 6.35 mm (0.25")

over span in water

Specific Gravity: 0.75 minimum

Orientation: ±30° from vertical

Supply Voltage:

LVR50-PP Series: 10 to 30 Vdc

LVR50 Series: 10 to 40 Vdc

Loop Resist.: 600Ω @ 24 Vdc

Signal Output: 4 to 20 mA, two-wire

Signal Invert: 4 to 20 or 20-4 mA

Process Temperature: -40 to 149°C

(-40 to 300°F)

Electronic Temperature: -40 to 71°C

(-40 to 160°F)

Pressure: 300 psi maximum;

-15 psig minimum

Enclosure Rating:

LVR50-PP Series: NEMA 4X (IP65)

LVR50 Series: NEMA 7 (IP65)

Installed Height:

LVR50-PP Series: 13.2 cm (5.2")

LVR50: 15.7 cm (6.2")

Encl. Material:

LVR50-PP Series: PP, UL94VO

LVR50 Series: Aluminum

Guide/Float Mat.: 316 SS

Process Mount: 2 NPT

Conduit Entrance: Single, ½ NPT

Classification:

LVR50-PP: General purpose

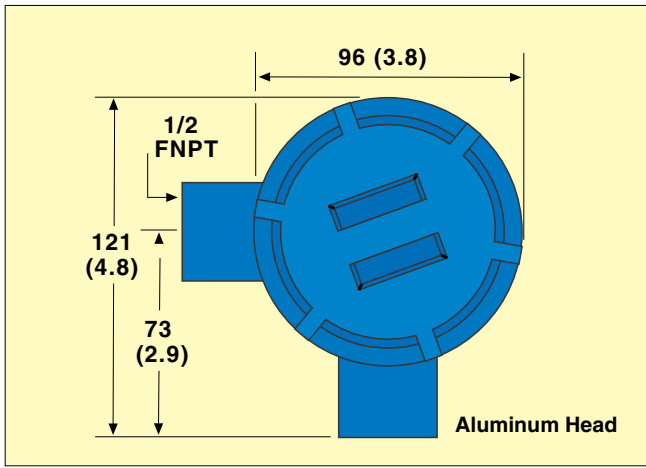
LVR50 Series: Explosion proof

CE Compliance: EN 50082-2 immunity

EN 55011 emission



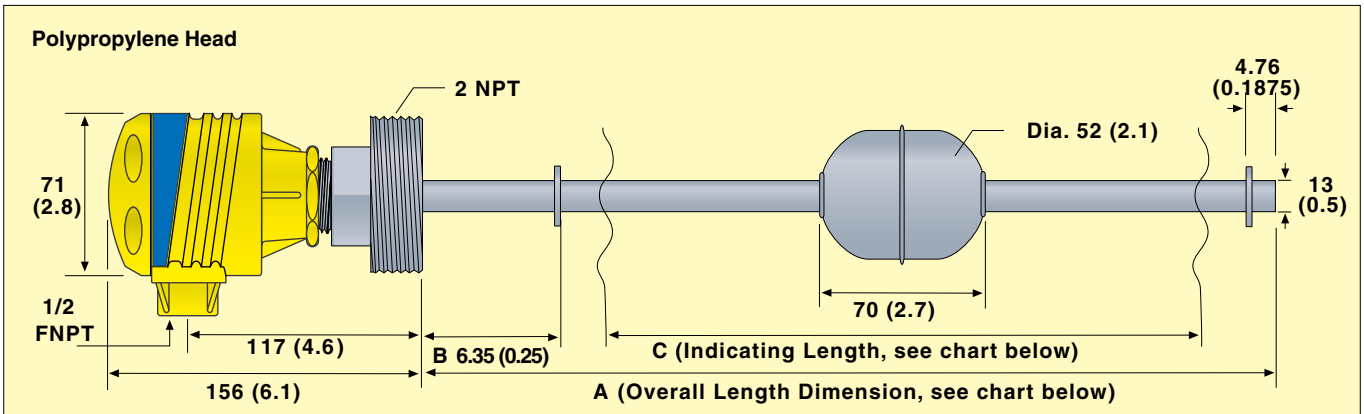
LVR51-PP,
shown smaller
than actual size.



Dimensions: mm (inch)



iSeries DPI8 ordering information below.



To Order

Model No.	Description for the 4 to 20 mA Level Transmitter		
	Indicating Length C Dimensions in m (ft)	Overall Length A Dimension in m (ft)	Material of Head
LVR51	0.3 (1)	0.396 (1.3)	Aluminum
LVR51-PP	0.3 (1)	0.396 (1.3)	Polypropylene
LVR52	0.6 (2)	0.701 (2.3)	Aluminum
LVR52-PP	0.6 (2)	0.701 (2.3)	Polypropylene
LVR53	0.9 (3)	1.00 (3.3)	Aluminum
LVR53-PP	0.9 (3)	1.00 (3.3)	Polypropylene
LVR54	1.2 (4)	1.31 (4.3)	Aluminum
LVR54-PP	1.2 (4)	1.31 (4.3)	Polypropylene
LVR55	1.5 (5)	1.62 (5.3)	Aluminum
LVR55-PP	1.5 (5)	1.62 (5.3)	Polypropylene
LVR56	1.8 (6)	1.92 (6.3)	Aluminum
LVR56-PP	1.8 (6)	1.92 (6.3)	Polypropylene

Accessories

Model No.	Description
PSU-93	Unregulated 24 Vdc power supply
DPI8	1/8 DIN panel meter with 24 Vdc excitation
TX4-100	30.5 m (100') spool of 4 conductor wire

Comes complete with operator's manual.

Ordering Examples: LVR51, 0.3 m (1') indicating length level transmitter with aluminum head.

LVR52-PP, 0.6 m (2') indicating length level transmitter with polypropylene head.