

PADDLEWHEEL FLOW SENSOR

Non-Magnetic Sensing, Adjustable for 1-1/2 to 40" (38.1 to 1016 mm) Pipe, Pulse or 4-20 mA



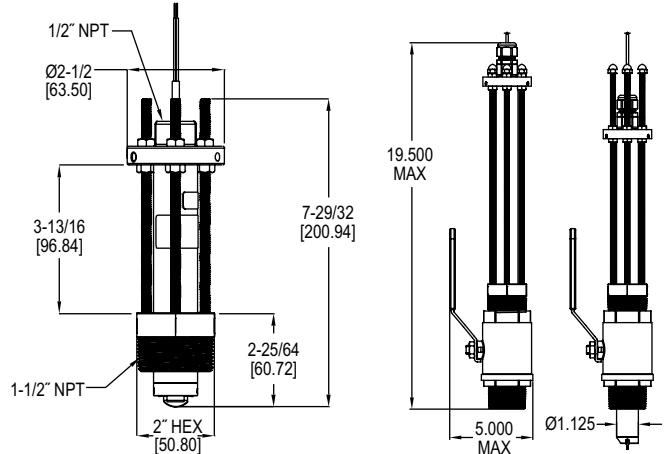
PFT-IAN-B111-S



PFT-HDN-S611-S
shown with
A-PFT-HKIT-SS



PFT-HDN-B611-S
shown with
A-PFT-HKIT



The Series PFT Paddlewheel Flow Sensor is used to monitor liquid flow rates in pipes from 1-1/2 to 40" (40-1016 mm). The unit has one size-adjustable sensor and is available in brass or 316 stainless steel body. The unit outputs a frequency proportional pulsed or 4-20 mA output. The pulse models are a square wave output signal with frequency proportional to the flow velocity and the 4-20 mA models have a linear output of the velocity with 4 mA equal to 0 ft/s and 20 mA equal to 25 ft/s.

BENEFITS/FEATURES

- Long product life even in applications with particulate due to bearings and shaft that offer excellent wear protection
- Use in irrigation applications with weatherproof and submersible ratings
- Save time and inventory with one unit that is adjustable over a large pipe size range
- Application versatility with a variety of wetted material selections
- Reduce need for additional external components with integral 4-20 mA output
- Eliminate concerns regarding magnetic material in flow due to sensor technology, which uses inductive sensing and no magnets

APPLICATIONS

- Irrigation
- Ground water remediation
- Cooling systems
- Pump protection
- Leak detection
- Filtration systems

SPECIFICATIONS

Service: Water-based fluids.
Range: 1.2 to 25 ft/s (0.37 to 7.62 m/s).
Wetted Materials: Body and fitting: Brass or 316 SS; fitting O-ring: FKM standard, silicone or Buna-N optional; impeller: 316 SS; shaft: Tungsten carbide standard or 316 SS optional; bearing: PTFE standard.
Linearity: ±1.0% of FS.
Repeatability: ±0.5% of FS.
Temperature Limits: -40 to 212°F (-40 to 100°C).
Pressure Limits: 400 psig (27.6 bar) @ 100°F (37.8°C), 325 psig (22.4 bar) @ 212°F (100°C).
Process Connection: 1-1/2" NPT male or 1-1/2" BSPT male standard, 2" NPT male or 2" BSPT male optional.
Output: Pulse: NPN open collector with square wave output, rated 60 V @ 50 mA max; Frequency: 3.2 to 200 Hz. Pulse width: 2.5 msec ±25%; 4-20 mA: 4 mA is 0 ft/s, 20 mA is 25 ft/s.
Power Requirement: 10-35 VDC.
Power Consumption: 40 mA (max.).
Electrical Connection: 22 AWG shielded UL type PTLC rated 105°C, 20' (6.1 m) long with cable gland. Can be extended up to 2000' (609 m) with similar cable. Optional UL listed burial rated cable.
Enclosure Rating: NEMA 6P (IP67)*.
Housing Materials: Brass or 316 SS.
Weight: 3 lb (1.36 kg).
Compliance: CE.

*Brass units IP67 only.

MODEL CHART										
Example	PFT	-I	D	N	-B	1	1	-S	-ST	PFT-IDN-B111-S-ST
Series	PFT									Paddlewheel flow sensor
Style		I H								Insertion Hot-tap insertion
Output			D A							600UA/40 MA 2.5 MS pulse Analog 4-20 mA transmitter
Approvals				N						None
Body Material					B S					Brass body 316 SST body
Mounting						1 2 3 4 5 6 7 8				1-1/2" NPTM mounting 2" NPTM mounting 1-1/2" male BSPT mounting 2" male BSPT mounting 1-1/2" NPTM hot tap with valve 1-1/2" NPTM hot tap without valve 1-1/2" male BSPT hot tap with valve 1-1/2" male BSPT hot tap without valve
O-Ring Material							1 2 3			FKM fluoroelastomer Silicone (FDA approved) Buna-N
Wetted Materials								1 2		Tungsten-carbide shaft, 316 SS impeller, PTFE bearing 316 SS shaft, 316 SS impeller, PTFE bearing
Electrical Connection									S B	22 GA shielded wire, 20 ft (6.1 m) 18 GA UL listed burial rated, 4 ft (1.2 m)
Options										ST Stainless steel tag

MODEL CHART	
Model	Description
PFT-IAN-B111-S	Standard brass 1-1/2" NPTM analog output
PFT-IAN-S111-S	Standard 316 SST 1-1/2" NPTM analog output
PFT-IDN-B111-S	Standard brass 1-1/2" NPTM pulse output
PFT-IDN-S111-S	Standard 316 SST 1-1/2" NPTM pulse output
PFT-HAN-B611-S	Hot tap without valve brass 1-1/2" NPTM analog output
PFT-HAN-S611-S	Hot tap without valve 316 SST 1-1/2" NPTM analog output
PFT-HDN-B611-S	Hot tap without valve brass 1-1/2" NPTM pulse output
PFT-HDN-S611-S	Hot tap without valve 316 SST 1-1/2" NPTM pulse output

ACCESSORIES	
Model	Description
A-PFT-HKIT	1-1/2" brass valve NPT with nipple
A-PFT-HKIT-BSPT	1-1/2" brass valve BSPT with nipple
A-PFT-HKIT-SS	1-1/2" SS valve NPT with nipple
A-PFT-HKIT-SS-BSPT	1-1/2" SS valve BSPT with nipple

USA: California Proposition 65
WARNING: This product can expose you to chemicals including Lead, which is known to the State of California to cause cancer and birth defects or other reproductive harm. For more information go to www.P65Warnings.ca.gov.

Flow Transmitters, Paddlewheel, Adjustable Insertion