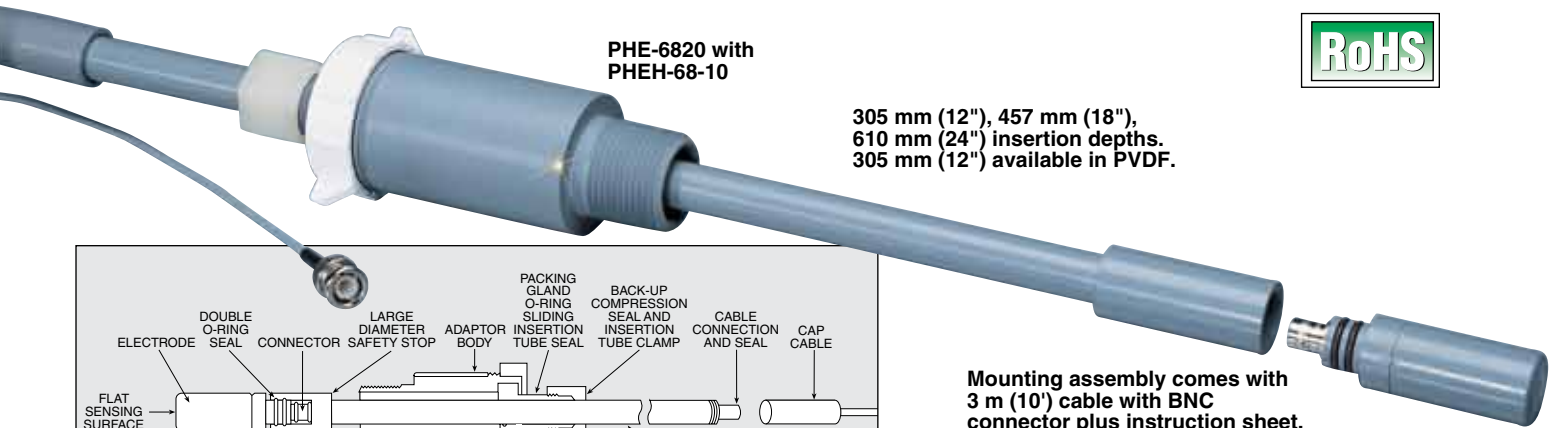




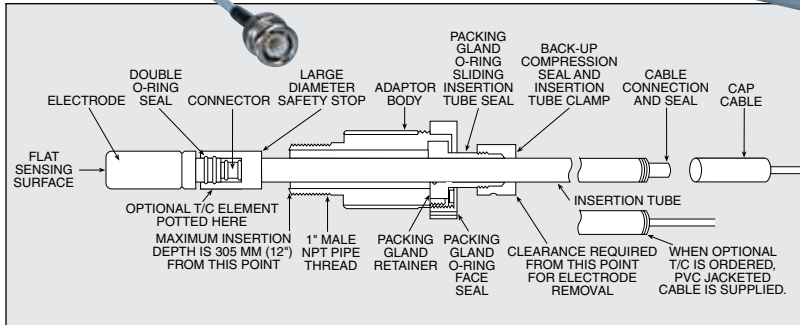
Retractable Flat Surface pH/ORP Electrodes for Insertion into Tanks and Main Lines

PHE-6820



PHE-6820 with PHEH-68-10

305 mm (12"), 457 mm (18"),
610 mm (24") insertion depths.
305 mm (12") available in PVDF.



Mounting assembly comes with 3 m (10') cable with BNC connector plus instruction sheet.

NOTE: At the time of initial purchase, please order both electrode and mounting assembly. Mounting assembly includes insertion assembly and cable. If ordered with automatic temperature compensation (ATC), the temperature compensator is built into the insertion assembly. When electrode has expired, simply re-order electrode.

- ✓ Can Be Installed in Any Direction
- ✓ Retractable Design Allows Removal Without System Shutdown
- ✓ Detachable Electrode for Easy Maintenance and Removal

The PHE-6820 electrode and assembly features a retractable design for insertion into tanks and main lines. The assembly, when used with a 1" full port or larger ball valve (user supplied), allows the electrode to be removed without shutting the system down. This electrode can be mounted in any location, even up through the bottom of a tank with the electrode surface facing upward. Its unique design affords mounting in any direction and is suitable for most systems' inherent design.

The flat surface design minimizes fouling and coating and eliminates electrode breakage. Turbulent flow across the electrode surface results in a scrubbing action that keeps the electrode clean. The flat surface electrode is specifically designed for difficult applications such as oily waste water, emulsions, lime slurries, and flocculants.

Specifications

Maximum Temperature

Standard Models: 65°C (150°F)

"-ACRYL" Units: 87°C (190°F) CPVC body

100°C (212°F) PVDF body

Mounting Assembly: CPVC or PVDF, with FKM O-Rings; 1 MNPT Pipe thread.

Available Options:

"-ACRYL" Acrylamide gel, additional cost

"-HF" Fluoride resistant, additional cost

"-LC" Low conductivity, additional cost

"-GL" Ground loop, additional cost

* Specify ATC Sensor

Order Code	Description
PT100	100 Ω Pt RTD
PT1K	1000 Ω Pt RTD
TH700	Series 700 Thermistor
R3K	3000 Ω Balco

Electrodes

To Order	
Model No.	Description
PHE-6820	pH electrode, CPVC
PHE-6821	pH electrode, PVDF
ORE-6820	ORP electrode, CPVC
ORE-6821	ORP electrode, PVDF
Mounting Assemblies — Required for Installation	
PHEH-68-10	305 mm (12") CPVC without ATC
PHEH-68K-10	305 mm (12") PVDF without ATC
PHEH-68-10-(*)	305 mm (12") CPVC with ATC
PHEH-68K-10-(*)	305 mm (12") PVDF with ATC
PHEH-6820	457 mm (18") CPVC without ATC
PHEH-6830	610 mm (24") CPVC without ATC

Note: Temperature compensation is not required with ORP electrodes.

Order electrode and mounting assemblies separately. Materials of construction must be the same. Mounting Assemblies come with 3 m (10') cable with BNC connector. Cable lengths available up to 15 m (50') additional cost per extra foot. Consult Engineering for ordering information.

Ordering Examples: PHE-6820 CPVC pH electrode and PHEH-68-20 CPVC mounting assembly with 6 m (20') cable.

PHE-6821, PVDF pH electrode and PHEH-68-10-PT100 mounting assembly with 100Ω Pt RTD ATC.