



## Heavy-Duty pH Sensor for Submersible Applications

### PHE-7352-15



#### Applications

- ✓ Suitable for Severe Conditions
- ✓ Large Diameter Pipe Insertion
- ✓ Waste Water Pipeline Insertion
- ✓ Strong PPS Body
- ✓ Low Maintenance
- ✓ Short or Long Insertion Lengths
- ✓ Any Angle Orientation

The PHE-7352-15 is a combination pH sensor designed for insertable use in process and waste water applications where greater pipeline penetration is required. The outer body material is PPS and has 3/4 MNPT front and rear facing threads with 57.1 mm (2 1/4") insertion depth. The sensor features sealed double junction construction which is highly resistant to electrode poisoning solutions, (typically those with cyanide, ammonia, sulfide and heavy metals in appreciable concentrations). The use of the non-fouling patented Porous PTFE liquid junction ensures a steady presence of reference electrolyte. Coupled with the novel plunger pH glass electrode design, this sensor assures a low long maintenance service life in most applications. Use of the high temperature version is recommended where service temperatures continuously exceed 80°C (176°F).

#### Specifications

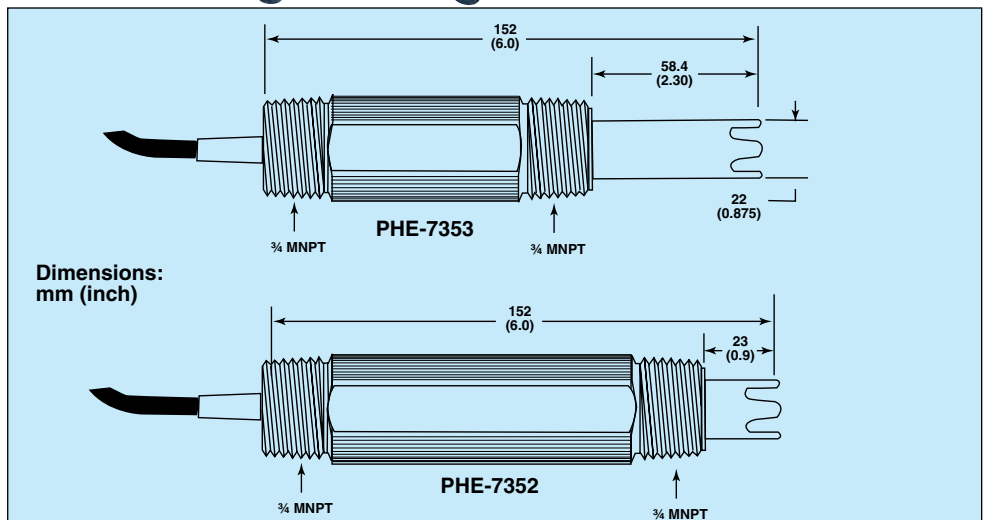
**pH Range:** 0 to 14 pH  
**Temperature Range:** 0 to 80°C (32 to 176°F) or 0 to 110°C (32 to 230°F) (HT high temperature version)  
**Pressure Range:** 0 to 100 psig or 0 to 150 psig (HT high temperature version)  $\beta \pm 0.1\%$  over full range  
**Sodium Error:** Less than 0.05 pH in 0.1 Molar Na<sup>+</sup> ion @ 12.8 pH  
**Impedance:** 150 M $\Omega$  @ 25°C (77°F)  
**Reference Cell:** Double junction KNO<sub>3</sub> and KCl/AgCl  
**Zero Potential:** 7.0 pH  $\pm$  0.2 pH  
**Wetted Materials:** PPS, PTFE, FKM, glass  
**Response Time:** 95% of reading in 10 sec  
**Drift:** <2 mV per week



Both shown smaller than actual size.

PHE-7352-15

PHE-7353-15



#### To Order

Model No.	Description
PHE-7352-15-(* )	Heavy-duty submersible pH electrode
PHE-7353-15-(* )	Heavy-duty long length insertion pH electrode

Comes complete with 4.6 m (15') cable and operator's manual.

Non standard cable lengths available for additional cost.

\* **Specify ATC Sensor:** "-PT100" for 100  $\Omega$  Platinum RTD or "-PT1K" for 1000  $\Omega$  Pt RTD, for additional cost.

**Ordering Examples:** PHE-7352-15-PT100-HT is a heavy-duty submersible pH sensor with "-HT" (for high temperature), and 100  $\Omega$  Pt RTD ATC.

PHE-7353-15, submersible pH electrode.