



## pHACT pH Sensors with Built-In

### PHE-9153-15



PHE-9150-15



PHE-9151-15

- ✓ Built-In Differential Pre-amplifier
- ✓ Automatic Temperature Compensation
- ✓ High Temperature
- ✓ Low Maintenance
- ✓ Long Insertion Length
- ✓ Any Angle Orientation

All shown smaller than actual size.



PHE-9152-15



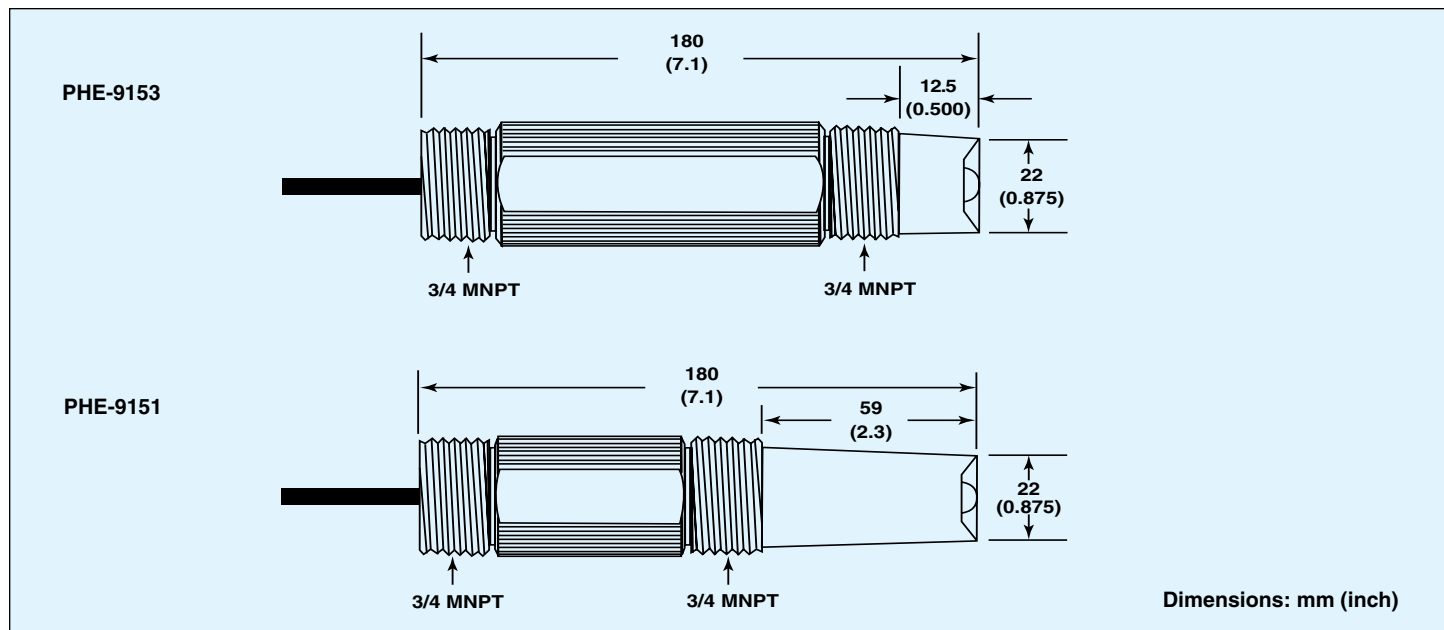
PHE-9153-15

The pHACT is a fast acting pH sensor, with a built-in differential amplifier and 100 Ω ATC sensor that provides a compensated output compatible with any pH meter. It is an ideal solution for ground loop problems, since it has a built-in solution ground and low impedance output, making the pHACT immune to noise. The PPS molded body has a high chemical resistance. The PHE-9150 series uses a high pH glass formulation, the perfect choice for extreme pH applications, with a triple PTFE junction reference cell. Coupled with the novel plunger electrode design, this sensor assures low maintenance in most applications. The

PHE-9151 is manufactured for low viscosity and in-line use, with a 3/4 or 1 MNPT. It is ideal for the pulp and paper industry, as well as electroplating and petro-chemical applications. The PHE-9153 has 12 mm (0.5") insertion length, while PHE-9151 has 59 mm (2.3") for use in large pipes. PHE-9150/52 are manufactured in such a way that can be used in-line or submersible applications, with a 3/4 or 1 MNPT. While the PHE-9150 has only 23 mm (0.9") insertion length, the PHE-9152 offers 59 mm (2.3"), to be able to reach into large diameter pipes, or tanks. Units come standard with 4.6 m (15') of cable.



## Differential Preamplifier and ATC



### Specifications

**Body Material:** PPS

**pH Range:** 0 to 14 pH

**Temperature Range:** 0°C to 80°C (32 to 176°F) (standard version)  
0°C to 110°C (32 to 230°F) (high temperature version)

**Pressure Range:** 0 to 100 psig (standard version) 0 to 150 psig (high temperature version)

**Accuracy:** ±0.1% over full range

**Sodium Error:** Less than 0.05 pH in 0.1 molar Na<sup>+</sup> ion @ 12.8 pH

**Impedance:**

Less than 1 MΩ @ 25°C (76°F)

**Reference Cell:**

Double KNO<sup>3</sup> KCl/AgCl

**Zero Potential:** 7.0 pH ± 0.2 pH

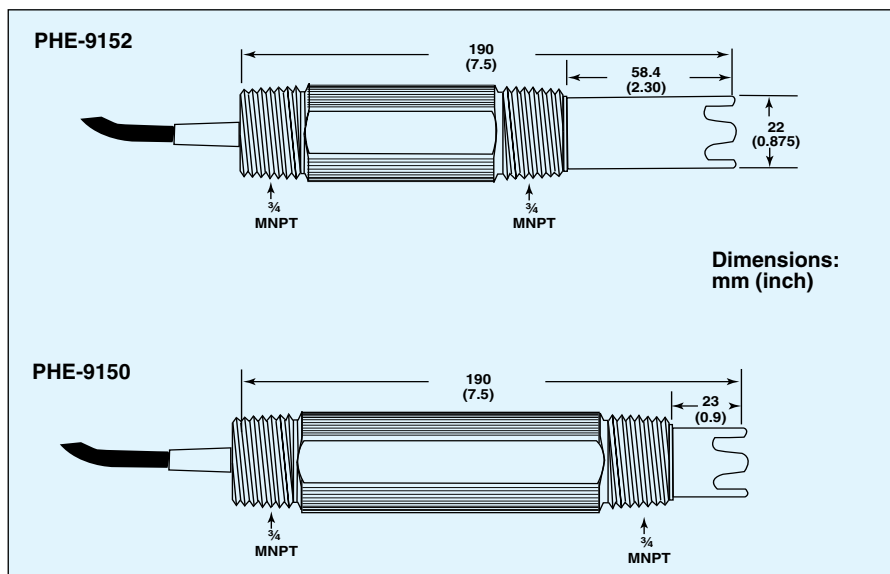
**Wetted Materials:**

PPS, PTFE, FKM, glass

**Response Time:**

95% of reading in 10 seconds

**Drift:** Less than 2 mV per week



### To Order

Model No.	Description
PHE-9153-15	pHACT 3/4 MNPT sensor
PHE-9151-15	pHACT 3/4 MNPT sensor with long insertion
PHE-9152-15	Long length insertable sensor
PHE-9150-15	pHACT sensor with recessed bulb

Comes complete with 4.6 m (15') cable and operator's manual. Non standard cable lengths available for additional cost.

**Ordering Examples:** PHE-9153-15, pHACT 3/4 MNPT pH electrode.  
PHE-9152-15, long length insertable pH electrode.

Order Online

**omega.com**

Over 100,000 Products Available!