

# OMEGA-FLO® 2-WAY 316 STAINLESS STEEL SOLENOID VALVES

## SV170 Series



- ✓ Lead Free
- ✓ Normally Closed
- ✓ Ideal for Hot Water and Steam
- ✓ 8 W, AC Coils Standard Up to 1"
- ✓ 14 W, DC Coils Standard on Larger Units

SV170 Series 2-way 316 SS solenoid valves are internally piloted. They feature 316 stainless steel construction and FKM seal material. The temperature range of -10 to 138°C (14 to 280°F) and the FKM O-ring make these valves ideal for many aggressive liquids and gases. A strain-relief connector is supplied with each unit. A ½" conduit plug is also available.

### SPECIFICATIONS

**Mounting Position:** Any (preferably with solenoid system upright)

**Maximum Process Temperature:** -10 to 138°C (14 to 280°F) FKM O-ring

**Maximum Ambient Temperature:** Coil dependent (see ratings on coils)

**Voltage Tolerance:** ±10% AC, ±5% DC

**Opening Time (ms):** Approximately 100 to 200

**Closing Time (ms):** Approximately 200 to 1200

**Cycling Rate:** Approximately 60 cpm  
**Duty Cycle:** Continuous (100%)

**Coil Molding Material:**  
**Black Polyphenylsulfide (Class H):**  
SV8COIL-115/60 HZ  
SV8COIL-220/60 HZ

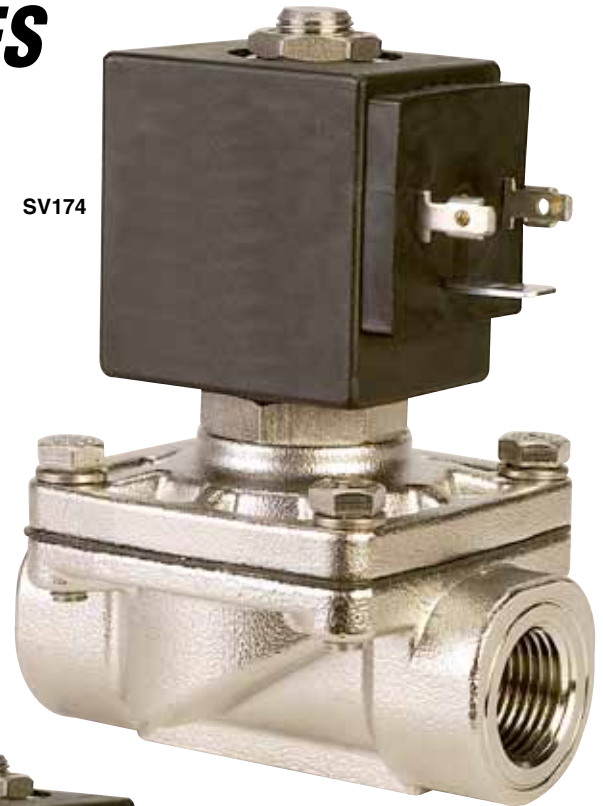
**Black Epoxy Resin (Class H):**  
All 14 W coils, NEMA 4

Materials of Construction	
Body	316 SS
Armature Tube	Stainless steel 300
Fixed Core	Stainless steel 400
Plunger	Stainless steel 400
Spring	Stainless steel 300
Shading Ring	Gold-Plated Copper

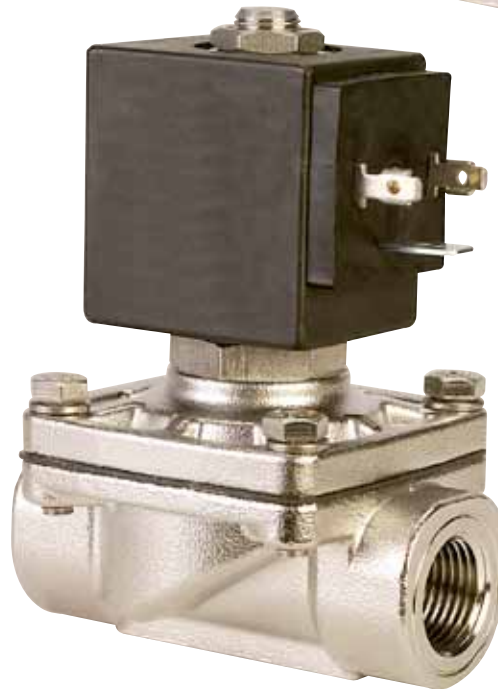
**Coil Molding Material:**  
**Black Polyphenylsulfide (Class H):**  
SV8COIL-115/60 HZ  
SV8COIL-220/60 HZ  
**Black Epoxy Resin (Class H):**  
All 14 W coils, NEMA 4

Coil Specifications		
Watt	Inrush VA	Holding VA
8.0	25.0	14.0
14.0	43.0	27.0

SV174



SV173

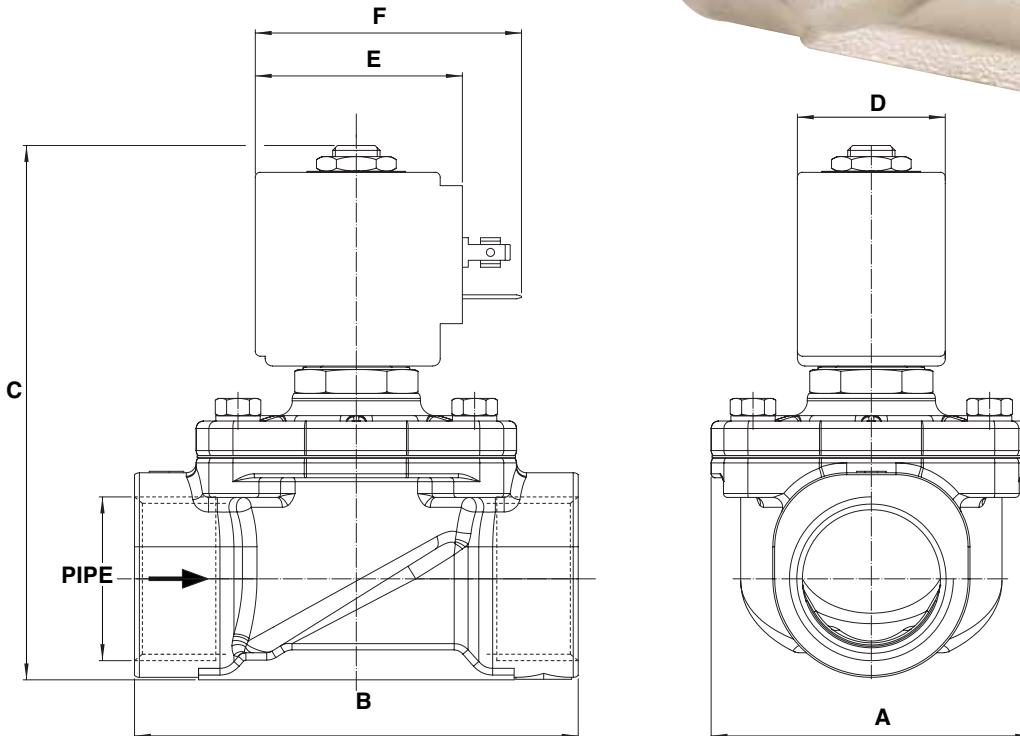
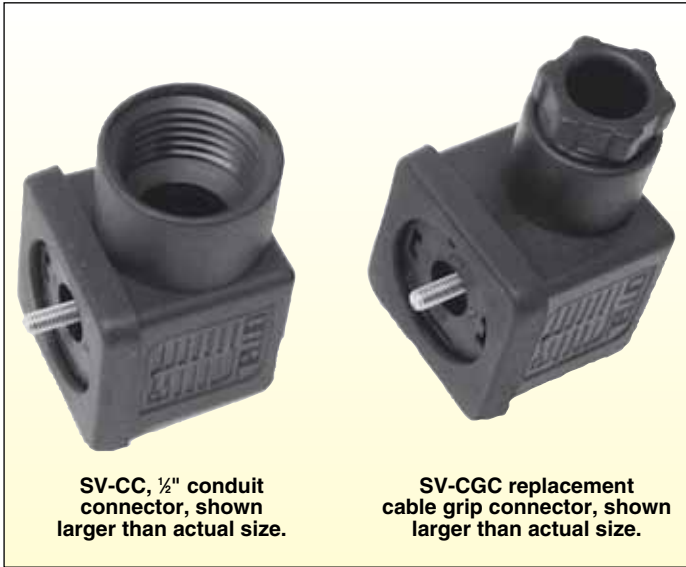


SV171



All models shown smaller than actual size.

# OMEGA-FLO® 2-Way 316 Stainless Steel Solenoid Valves



Valve and Coil Dimensions: mm (inch)

Model No.	Valve Width (A)	Valve Length (B)	Valve Height (C)	Coil Width (D)	Coil Length (E)	Coil Length (F)
SV171/SV172	50.8 (2)	92.07 (3.625)	68.3 (2.69)	30.1 (1.188)	42.2 (1.656)	54 (2.125)
SV173	57.94 (2.281)	100 (3.938)	74.6 (2.938)	30.1 (1.188)	42.1 (1.656)	54 (2.125)
SV174	65.07 (2.562)	90.4 (3.562)	110 (4.312)	30.1 (1.188)	42.1 (1.656)	54 (2.125)
SV175/176	94.43 (3.718)	127 (5)	129 (5.093)	52.4 (2.062)	54.8 (2.156)	66.7 (2.625)

## To Order

316 Stainless Steel				Operating Pressure				
Normally Closed Model No.	Pipe Size NPT	Orifice Size	Cv Flow Factor	Coil		MIN psi	M.O.P.D.*	
				Standard	Optional		AC psi	DC psi
SV171†	3/8	9/16"	2.8	8 W	12/14 W	0	200	85
SV172†	1/2	5/8"	3.4	8 W	12/14 W			
SV173†	3/4	13/16"	4.1	8 W	12/14 W			
SV174†	1	1	9.7	8 W	12/14 W		200	45
SV175††	1 1/4	1 3/8	20.1	14 W	—		200	0
SV176††	1 1/2	1 9/16	23.4	14 W	—			

\* Maximum operating pressure differential.

† 8 W AC coils are standard on valves up to 1".

†† 14 W DC coils are standard on valves larger than 1".

## Accessories

Connectors	
Model No.	Description
SV-CGC	Replacement cable grip connector
SV-CC	1/2" conduit connector
Coils	
SV8COIL-115AC	8 W coil for 110 to 120 Vac/50 to 60 Hz 154°C (310°F) (Class F), standard up to 1"
SV8COIL-12DC	8 W coil for 12 Vdc 154°C (310°F) (Class F)
SV8COIL-24DC	8 W coil for 24 Vdc 154°C (310°F) (Class F)
SV8COIL-24AC/60HZ	8 W coil for 24 Vac/60 Hz 154°C (310°F) (Class F)
SV8COIL-220AC	8 W coil for 220 to 240 Vac/50 to 60 Hz 154°C (310°F) (Class F)
SV8COIL-115/60HZ	8 W coil for 115 Vac/60 Hz 182°C (360°F) (Class H)
SV12COIL-120/60HZ	12 W coil for 120 Vac/60 Hz 154°C (310°F) (Class F)
SV12COIL-12DC	12 W coil for 12 Vdc 154°C (310°F) (Class F)
SV12COIL-24DC	12 W coil for 24 Vdc 154°C (310°F) (Class F)
SV14COIL-24DC	14 W coil for 24 Vdc 182°C (360°F) (Class H), standard above 1"
SV14COIL-24/50-60HZ	14 W coil for 24 Vdc/50 to 60 Hz 182°C (360°F) (Class H)
SV14COIL-12DC	14 W coil for 12 Vdc 182°C (360°F) (Class H)

Comes complete with operator's manual, coil, and cable grip.

Ordering Examples: SV171, 3/8 NPT, 316 SS normally closed solenoid valve with 8 W AC coil.

SV176, 1 1/2 NPT, 316 SS normally closed solenoid valve with 14 W DC coil.