

OMEGA-FLO® 2-WAY, LOW-COST, DIRECT-ACTING SOLENOID VALVES

SV3100 Series



- ✓ Ideal for Compressed Air, Inert Gas, Water, and Synthetic Oils
- ✓ Normally Closed
- ✓ Process Temperature to 137°C (280°F)
- ✓ 8 W, AC Coils Standard
- ✓ 8 W, DC Coils Available



SV3105 shown larger than actual size.

SV-3100 Series 2-way solenoid valves are direct-acting valves featuring brass and stainless steel construction and FKM seal material. The temperature range of -10 to 137°C (14 to 280°F) is ideal for neutral media such as compressed air, inert gases, water, and synthetic oils.

A strain-relief connector is supplied with each unit. A ½" conduit plug is also available.

SPECIFICATIONS

Mounting Position: Any (preferably with solenoid system upright)
Maximum Process Temperature: 137°C (280°F) due to FKM O-ring
Maximum Ambient Temperature: Coil dependent (See ratings on coils)
Voltage Tolerance: ±10%
Opening Time (msec):
 AC: 10 to 20
 DC: 20 to 80 depending on orifice and pressure
Closing Time (msec):
 AC and DC: Approx. 20 to 30

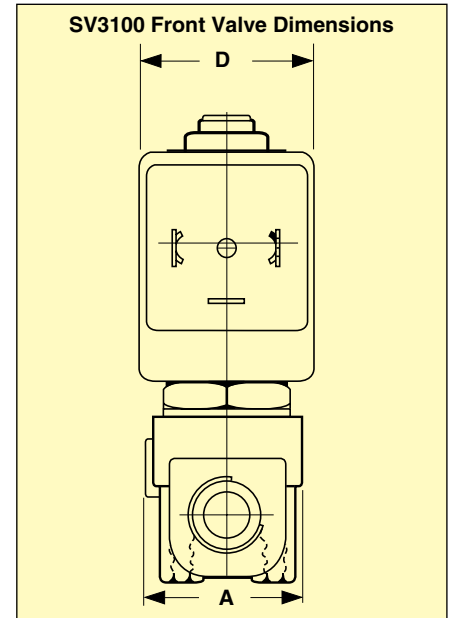
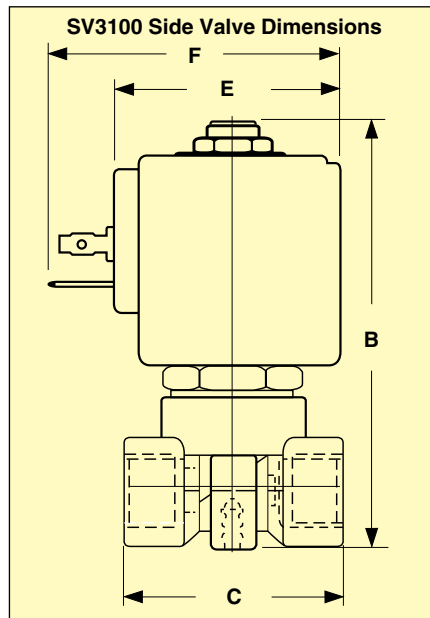
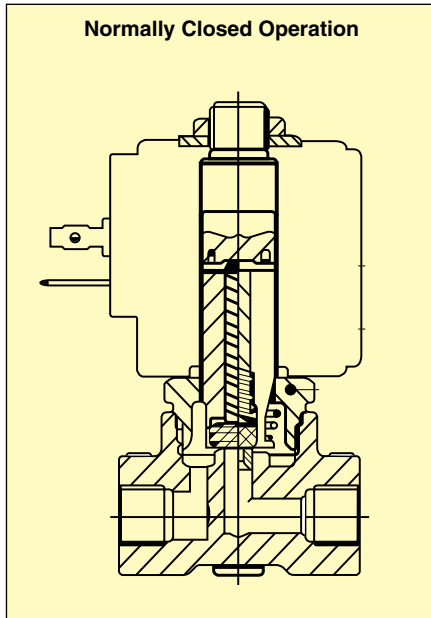
Cycling Rate: Approx. 1000 cpm
Duty Cycle: Continuous (100%)
Coil Molding Material:

Black Polyester (Class F):
 SV8COIL-115AC
 SV8COIL-24DC/60HZ
 SV8COIL-24AC/50 to 60HZ
 SV8COIL-220AC

Black Polyamide (Class F):
 SV8COIL-12DC, SV8COIL-24DC
Black Polyphenylsulfide (Class H): SV8COIL-115/60HZ

Materials of Construction	
Body	Brass
Armature Tube	Brass
Fixed Core	Stainless Steel 400
Plunger	Stainless Steel 400
Spring	Stainless Steel 300
Shading Ring	Copper
Orifice	Brass
Sealing Material	FKM

Coil Specifications		
Coil	Inrush VA	Holding VA
8 W	25	14



Valve Dimensions			
Pipe Size	A	B	C
1/8"	1 1/16"	2 7/16"	1 3/16"
1/4"			

Coil Dimensions			
Watt	D	E	F
8	1 3/16"	1 21/32"	2 1/8"

To Order						
Model No.	Description	Pipe [†] Size (inch)	Orifice Size (inch)	Cv Flow Factor	Operating Pressure M.O.P.D.*	
					AC psi	DC psi
SV3101	2-way normally closed valve	1/8	1/16	0.10	430	220
SV3103	2-way normally closed valve	1/8	3/32	0.14	290	150
SV3104	2-way normally closed valve	1/8	1/8	0.24	175	85
SV3105	2-way normally closed valve	1/8	5/32	0.35	85	30
SV3106	2-way normally closed valve	1/4	1/16	0.10	430	220
SV3108	2-way normally closed valve	1/4	3/32	0.15	290	150
SV3109	2-way normally closed valve	1/4	1/8	0.24	175	85
SV3110	2-way normally closed valve	1/4	5/32	0.35	85	30

* Maximum operational pressure differential.

† BSP threads. In most cases BSP and NPT are interchangeable in this size.

Accessories

Model No.	Description
Connectors	
SV-CGC	Replacement cable grip connector
SV-CC	1/2" conduit connector
Coils	
SV8COIL-115AC	Replacement 8 W coil for 110 to 120 Vac/50 to 60 Hz 154°C (310°F) (Class F)
SV8COIL-12DC	8 W coil for 12 Vdc 154°C (310°F) (Class F)
SV8COIL-24DC	8 W coil for 24 Vdc 154°C (310°F) (Class F)
SV8COIL-24AC/60HZ	8 W coil for 24 Vac/50 to 60 Hz 182°C (360°F) (Class F)
SV8COIL-220AC	8 W coil for 220 to 240 Vac/50 to 60 Hz 154°C (310°F) (Class F)
SV8COIL-115/60HZ	8 W coil for 115 Vac/60 Hz 182°C (360°F) (Class H)

Comes complete with operator's manual, 8 W coil and cable grip connector.

Ordering Examples: SV3109, 1/4" valve with 5/32" orifice.

SV3106, 1/4" valve with 1/16" orifice and SV8COIL-12DC, 8 W/12 Vdc coil.