



OMEGA-FLO[®] 2-WAY HOT WATER AND STEAM SOLENOID VALVES

SV4000 Series
Starts at
\$168



- ✔ Normally Closed or Normally Open
- ✔ Ideal for Hot Water and Steam
- ✔ 120 Vac Standard (220 Vac and DC Coils are Optional)
- ✔ All Coils are CE

SV4000 Series 2-way hot water and steam solenoid valves are internally piloted. They feature brass and 316 stainless steel construction, and PTFE seal material. The temperature range of 0 to 182°C (32 to 360°F) and the PTFE O-ring make these valves ideal for media such as hot water and steam. Electrical connection options are a ½" conduit plug or strain relief connector.

SPECIFICATIONS

Mounting Position: Any (preferably with solenoid system upright)

Max Process Temp: 60 to 182°C (140 to 360°F) PTFE O-ring

Max Ambient Temp: Coil dependent (see ratings on coils)

Voltage Tolerance: ±10% AC, ±5% DC

Opening Time (ms):

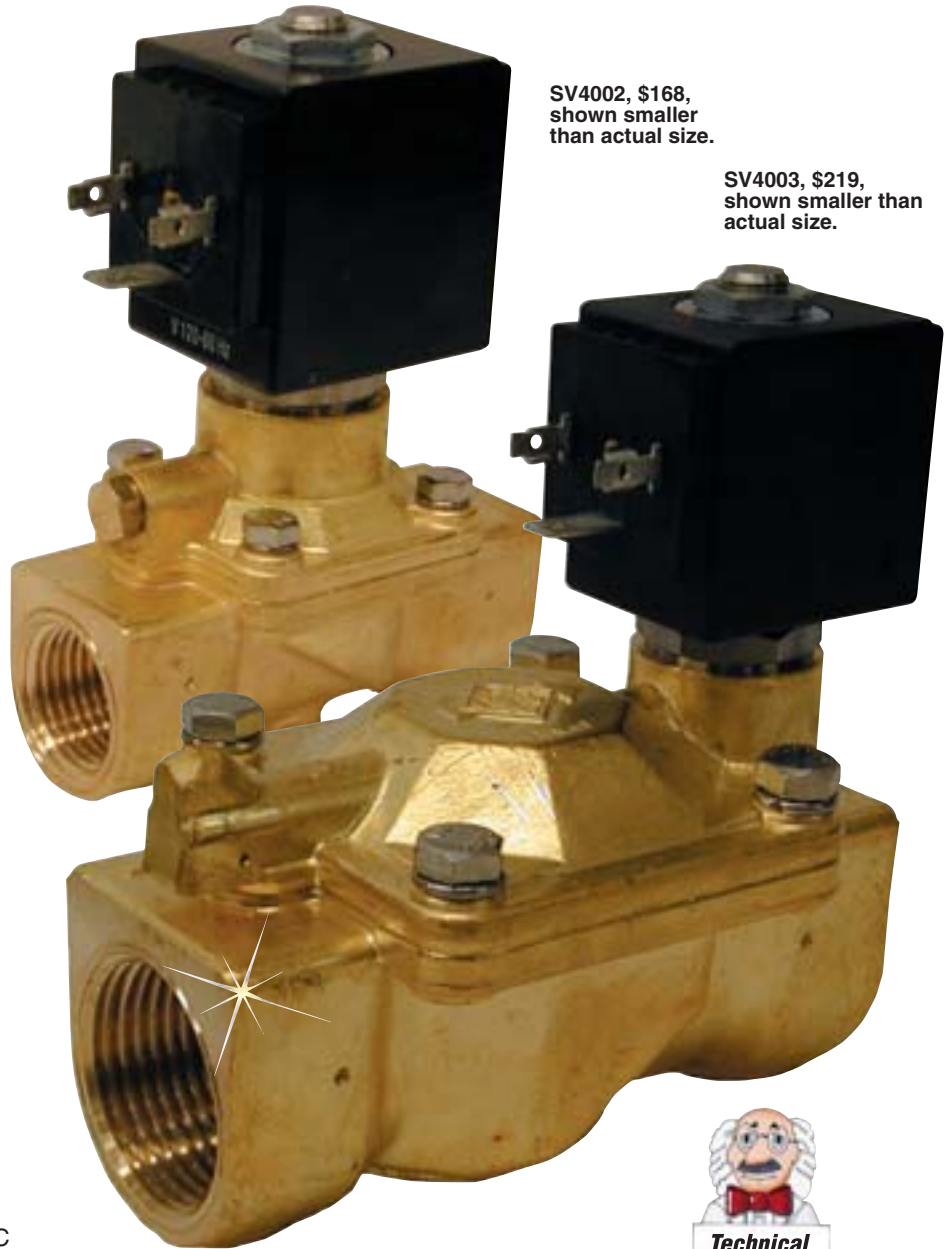
Approximately 100 to 200

Closing Time (ms):

Approximately 200 to 1200

Cycling Rate: Approx. 60 cpm

Duty Cycle: Continuous (100%)



SV4002, \$168, shown smaller than actual size.

SV4003, \$219, shown smaller than actual size.

Coil Specifications		
Watt	Inrush VA	Holding VA
8.0	25.0	14.5
14.0	43.0	27.0



Materials of Construction		
Body	Brass	316 SS
Armature Tube	Stainless steel 300	Stainless steel 300
Fixed Core	Stainless steel 400	Stainless steel 400
Plunger	Stainless steel 400	Stainless steel 400
Spring	Stainless steel 300	Stainless steel 300
Shading Ring	Copper	Gold-Plated Copper
Orifice	Brass	316 SS

Coil Molding Material:

Black Polyphenylensulphide (Class H):

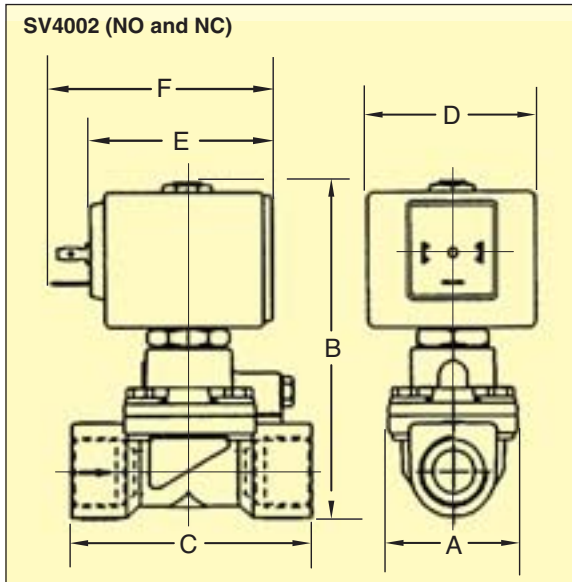
SV8COIL-115/60HZ

SV8COIL-220/60HZ

Black Epoxy Resin (Class H):

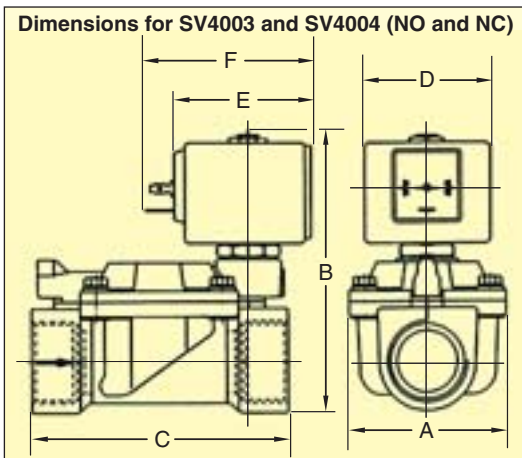
All 14 W coils, NEMA 4

OMEGA-FLO® 2-WAY HOT WATER AND STEAM SOLENOID VALVES



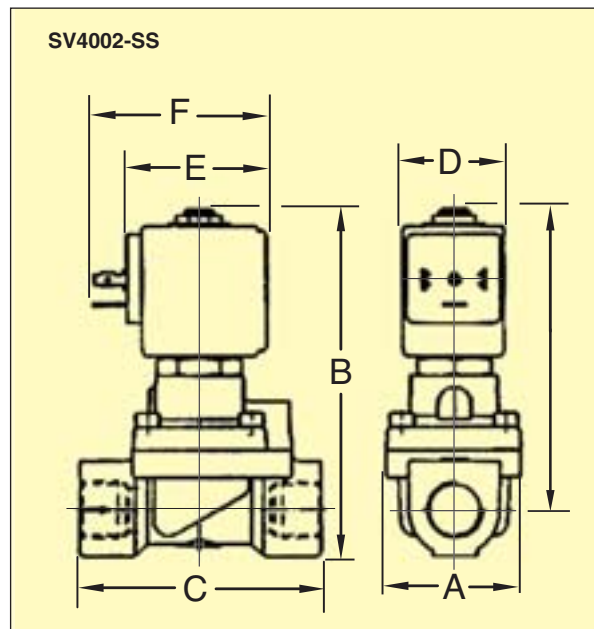
Valve Dimensions			
Model	A	B	C
SV4002	1 ¹ / ₃₂ "	4"	2 ²⁷ / ₃₂ "

Coil Dimensions			
Watt	D	E	F
8	1 ³ / ₁₆ "	1 ²¹ / ₃₂ "	2 ¹ / ₈ "
14	2 ¹ / ₁₆ "	2 ⁷ / ₃₂ "	2 ²¹ / ₃₂ "



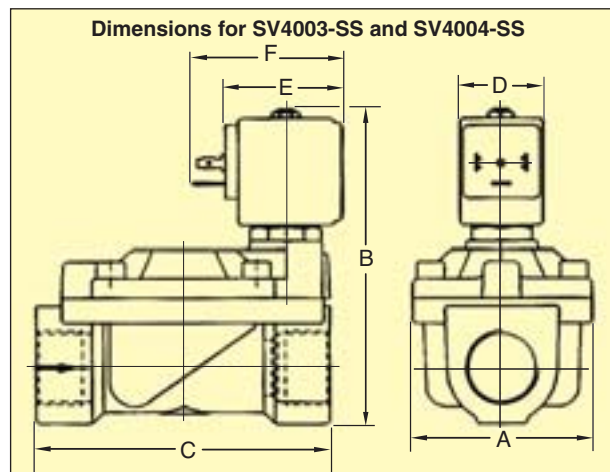
Valve Dimensions			
Model	A	B	C
SV4003	2 ⁹ / ₁₆ "	4 ¹ / ₈ "	4 ³ / ₃₂ "
SV4004	2 ⁹ / ₁₆ "	4 ¹³ / ₃₂ "	4 ³ / ₃₂ "

Coil Dimensions			
Watt	D	E	F
8	1 ³ / ₁₆ "	1 ²¹ / ₃₂ "	2 ¹ / ₈ "
14	2 ¹ / ₁₆ "	2 ⁷ / ₃₂ "	2 ²¹ / ₃₂ "



Valve Dimensions			
Model No.	A	B	C
SV4002-SS	1 ⁹ / ₁₆ "	4 ¹ / ₁₆ "	2 ²⁷ / ₃₂ "

Coil Dimensions			
Watt	D	E	F
8	1 ³ / ₁₆ "	1 ²¹ / ₃₂ "	2 ¹ / ₈ "



Valve Dimensions			
Model No.	A	B	C
SV4003-SS	2 ⁹ / ₁₆ "	4 ¹⁷ / ₃₂ "	4 ³ / ₃₂ "
SV4004-SS	2 ⁹ / ₁₆ "	4 ¹⁷ / ₃₂ "	4 ³ / ₃₂ "

Coil Dimensions			
Watt	D	E	F
8	1 ³ / ₁₆ "	1 ²¹ / ₃₂ "	2 ¹ / ₈ "



OMEGA-FLO® 2-WAY HOT WATER AND STEAM SOLENOID VALVES

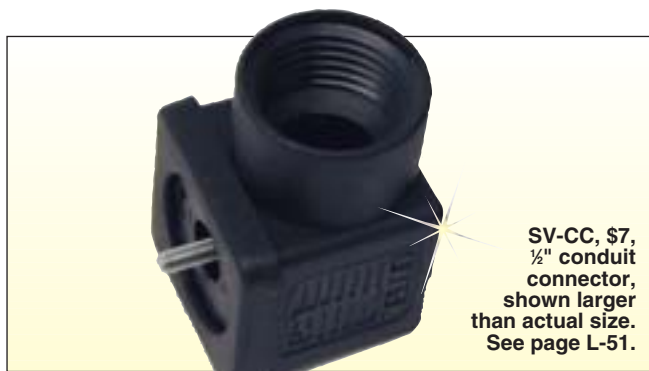
☐ **MOST POPULAR MODELS HIGHLIGHTED!**

To Order (Specify Model Number)											
Brass Valves									Operating Pressure		
Normally Closed		Normally Open		Coil					MIN psi	M.O.P.D.*	
Model No.	Price	Model No.	Price	Pipe Size NPT	Orifice Size	C _v Flow Factor	Power (Watt)	Opt. Coil		AC psi	DC psi
SV4002	\$168	SV4002-NO	\$187	½	⅞"	3.4	8.0	14.0	7	150	150
SV4003	219	SV4003-NO	239	¾	¾"	6.2	8.0	14.0			
SV4004	229	SV4004-NO	248	1	1"	11.0	8.0	14.0			
Normally Closed 316 SS Valves											
Model No.	Price	Pipe Size NPT	Orifice Size	C _v Flow Factor	Power (Watt)	MIN psi	AC psi	DC psi			
SV4002-SS	\$489	½	⅞"	2.4	8	7	150	150			
SV4003-SS	733	¾	¾"	8.0							
SV4004-SS	733	1	1"	9.0							

* Maximum operating pressure differential.

Comes with complete instruction sheet and cable grip connector.

Ordering Examples: SV4002, ½ NPT normally closed valve, \$168. SV4004-NO, 1 NPT normally open valve, \$248.



Accessories

Model No.	Price	Description
Connectors		
SV-CGC	\$7	Cable grip connector
SV-CC	7	½" conduit connector
Coils		
SV8COIL-115/60HZ	\$23	8 W coil for 115 Vac/60 Hz 182°C (360°F) (Class H)
SV8COIL-220AC/60HZ	23	8 W coil for 220 Vac/60 Hz 182°C (360°F) (Class H)
SV8COIL-24AC/60HZ	23	8 W coil for 24 Vac/60 Hz 182°C (360°F) (Class H)
SV14COIL-24DC	50	14 W coil for 24 Vdc 182°C (360°F) (Class H)
SV14COIL-12DC	50	14 W coil for 12 Vdc 182°C (360°F) (Class H)
Repair Kits (Include Diaphragm, Spring, Plunger and O-rings)		
VRK-4012	\$68	Repair kit for SV4001 and SV4002
VRK-4034	102	Repair kit for SV4003 and SV4004
VRK-4002SS	81	Repair kit for SV4002-SS
VRK-4034SS	114	Repair kit for SV4003-SS and SV4004-SS
FW-306	125	Reference Book: Valve Handbook





UNITED STATES

www.omega.com
1-800-TC-OMEGA
Stamford, CT.

CANADA

www.omega.ca
Laval(Quebec)
1-800-TC-OMEGA

GERMANY

www.omega.de
Deckenpfronn, Germany
0800-8266342

UNITED KINGDOM

www.omega.co.uk
Manchester, England
0800-488-488

FRANCE

www.omega.fr
Guyancourt, France
088-466-342

CZECH REPUBLIC

www.omegaeng.cz
Karviná, Czech Republic
596-311-899

BENELUX

www.omega.nl
Amstelveen, NL
0800-099-33-44



More than 100,000 Products Available!

• Temperature

Calibrators, Connectors, General Test and Measurement Instruments, Glass Bulb Thermometers, Handheld Instruments for Temperature Measurement, Ice Point References, Indicating Labels, Crayons, Cements and Lacquers, Infrared Temperature Measurement Instruments, Recorders Relative Humidity Measurement Instruments, RTD Probes, Elements and Assemblies, Temperature & Process Meters, Timers and Counters, Temperature and Process Controllers and Power Switching Devices, Thermistor Elements, Probes and Assemblies, Thermocouples Thermowells and Head and Well Assemblies, Transmitters, Wire

• Flow and Level

Air Velocity Indicators, Doppler Flowmeters, Level Measurement, Magnetic Flowmeters, Mass Flowmeters, Pitot Tubes, Pumps, Rotameters, Turbine and Paddle Wheel Flowmeters, Ultrasonic Flowmeters, Valves, Variable Area Flowmeters, Vortex Shedding Flowmeters

• pH and Conductivity

Conductivity Instrumentation, Dissolved Oxygen Instrumentation, Environmental Instrumentation, pH Electrodes and Instruments, Water and Soil Analysis Instrumentation

• Data Acquisition

Auto-Dialers and Alarm Monitoring Systems, Communication Products and Converters, Data Acquisition and Analysis Software, Data Loggers Plug-in Cards, Signal Conditioners, USB, RS232, RS485 and Parallel Port Data Acquisition Systems, Wireless Transmitters and Receivers

• Pressure, Strain and Force

Displacement Transducers, Dynamic Measurement Force Sensors, Instrumentation for Pressure and Strain Measurements, Load Cells, Pressure Gauges, Pressure Reference Section, Pressure Switches, Pressure Transducers, Proximity Transducers, Regulators, Strain Gages, Torque Transducers, Valves

• Heaters

Band Heaters, Cartridge Heaters, Circulation Heaters, Comfort Heaters, Controllers, Meters and Switching Devices, Flexible Heaters, General Test and Measurement Instruments, Heater Hook-up Wire, Heating Cable Systems, Immersion Heaters, Process Air and Duct, Heaters, Radiant Heaters, Strip Heaters, Tubular Heaters