

OMEGA-FLO® 2-WAY HOT WATER AND STEAM SOLENOID VALVES

SV4000A Series



- ✓ Normally Closed or Normally Open
- ✓ Ideal for Hot Water and Steam
- ✓ 8 W, AC Coils Standard
- ✓ 14 W, DC Coils Also Available

SV4000 Series 2-way hot water and steam solenoid valves are internally piloted. They feature brass and 316 stainless steel construction, and PTFE seal material. The temperature range of 0 to 182°C (32 to 360°F) and the PTFE O-ring make these valves ideal for media such as hot water and steam. A strain-relief connector is supplied with each unit. A ½" conduit plug is also available.

SPECIFICATIONS

Mounting Position: Any (preferably with solenoid system upright)

Maximum Process Temperature: 60 to 182°C (140 to 360°F) PTFE O-ring

Maximum Ambient Temperature: Coil dependent (see ratings on coils)

Voltage Tolerance: ±10% AC, ±5% DC

Opening Time (ms):

Approximately 100 to 200

Closing Time (ms): Approximately

200 to 1200

Cycling Rate: Approximately 60 cpm

Duty Cycle: Continuous (100%)

Coil Molding Material:

Black Polyphenylsulfide (Class H):

SV8COIL-115/60 HZ

SV8COIL-220/60 HZ

Black Epoxy Resin (Class H):

All 14 W coils, NEMA 4



SV4002A shown smaller than actual size.



SV4003A-NO shown smaller than actual size.

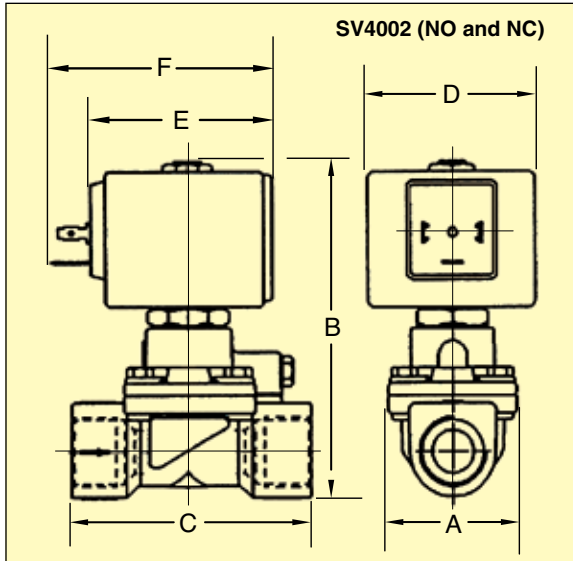


SV4003A-SS shown smaller than actual size.

Materials of Construction		
Body	Brass	316 SS
Armature Tube	Stainless steel 300	Stainless steel 300
Fixed Core	Stainless steel 400	Stainless steel 400
Plunger	Stainless steel 400	Stainless steel 400
Spring	Stainless steel 300	Stainless steel 300
Shading Ring	Copper	Gold-Plated Copper
Orifice	Brass	316 SS

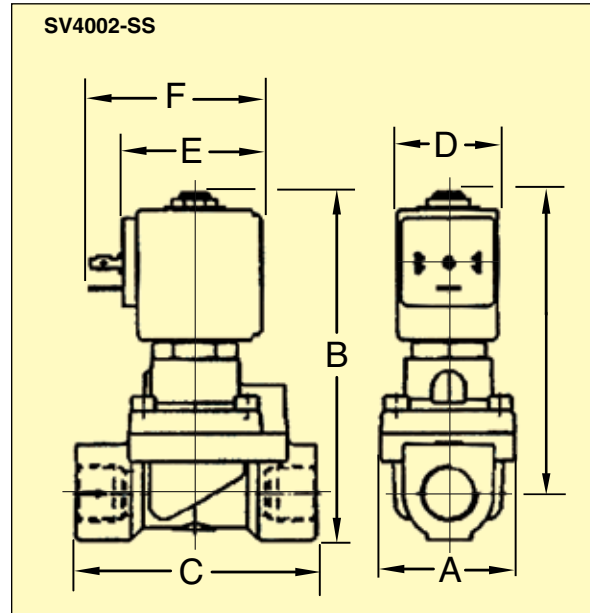
Coil Specifications		
Watt	Inrush VA	Holding VA
8.0	25.0	14.0
14.0	43.0	27.0

OMEGA-FLO® 2-Way Hot Water and Steam Solenoid Valves



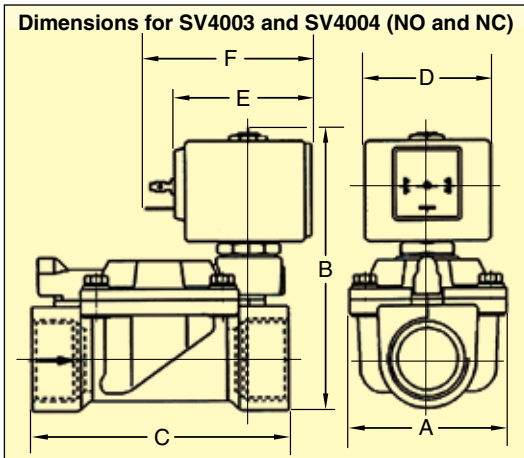
Valve Dimensions			
Model No.	A	B	C
SV4002A	1 ¹⁹ / ₃₂ "	4 ⁷ / ₃₂ "	2 ⁹ / ₁₆ "

Coil Dimensions			
Watt	D	E	F
8	1 ³ / ₁₆ "	1 ²¹ / ₃₂ "	2 ¹ / ₈ "
14	2 ¹ / ₁₆ "	2 ⁵ / ₃₂ "	2 ⁵ / ₈ "



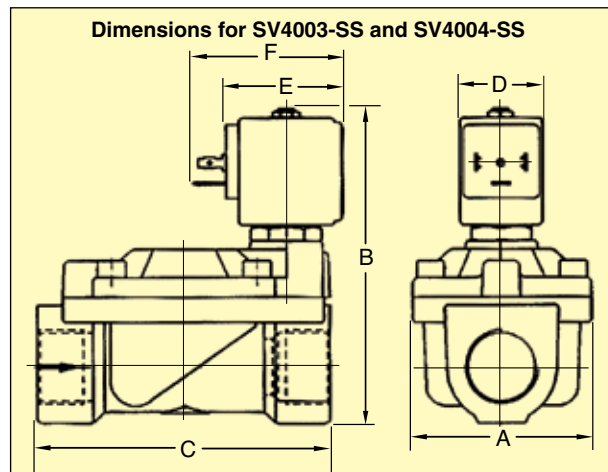
Valve Dimensions			
Model No.	A	B	C
SV4002A-SS	1 ⁹ / ₁₆ "	4 ¹ / ₁₆ "	2 ²⁷ / ₃₂ "

Coil Dimensions			
Watt	D	E	F
8	1 ³ / ₁₆ "	1 ²¹ / ₃₂ "	2 ¹ / ₈ "



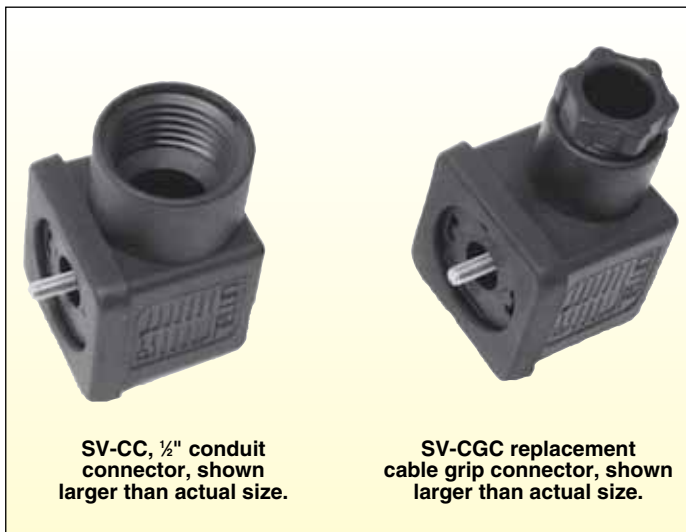
Valve Dimensions			
Model No.	A	B	C
SV4003A	1 ²⁹ / ₃₂ "	4 ²³ / ₃₂ "	2 ¹⁵ / ₁₆ "
SV4004A	2 ⁷ / ₁₆ "	5 ¹ / ₈ "	3 ¹¹ / ₁₆ "

Coil Dimensions			
Watt	D	E	F
8	1 ³ / ₁₆ "	1 ²¹ / ₃₂ "	2 ¹ / ₈ "
14	2 ¹ / ₁₆ "	2 ⁵ / ₃₂ "	2 ⁵ / ₈ "



Valve Dimensions			
Model No.	A	B	C
SV4003A-SS	2 ⁹ / ₁₆ "	4 ¹⁷ / ₃₂ "	4 ³ / ₃₂ "
SV4004A-SS			

Coil Dimensions			
Watt	D	E	F
8	1 ³ / ₁₆ "	1 ²¹ / ₃₂ "	2 ¹ / ₈ "



To Order Visit omega.com/sv4000a for Pricing and Details

Brass Valves		Operating Pressure							
Normally Closed Model No.	Normally Open Model No.	Pipe Size NPT	Orifice Size	C _v Flow Factor	Coil		MIN psi	M.O.P.D.*	
					Standard	Optional		AC psi	DC psi
SV4002A	SV4002A-NO	1/2	7/16"	3.4	8 W	14 W	7	150	150
SV4003A	SV4003A-NO	3/4	3/4"	6.2	8 W	14 W			
SV4004A	SV4004A-NO	1	1"	11.0 8	W	14 W			

Normally Closed 316 SS Valves								
Model No.	Pipe Size NPT	Orifice Size	C _v Flow Factor	Power	MIN psi	AC psi	DC psi	
SV4002A-SS	1/2	7/16"	2.4	8 W	7	150	150	
SV4003A-SS	3/4	3/4"	8.0					
SV4004A-SS	1	1"	9.0					

* Maximum operating pressure differential.

Accessories

Connectors	
Model No.	Description
SV-CGC	Replacement cable grip connector
SV-CC	1/2" conduit connector
Coils	
SV8COIL-115/60HZ	8 W coil for 115 Vac/60 Hz 182°C (360°F) (Class H)
SV8COIL-220AC	8 W coil for 220 Vac/60 Hz 182°C (360°F) (Class H)
SV8COIL-24AC/60HZ	8 W coil for 24 Vac/60 Hz 182°C (360°F) (Class H)
SV14COIL-24DC	14 W coil for 24 Vdc 182°C (360°F) (Class H)
SV14COIL-12DC	14 W coil for 12 Vdc 182°C (360°F) (Class H)
Repair Kits (Include Diaphragm, Spring, Plunger and O-rings)	
VRK-4012	Repair kit for SV4001 and SV4002
VRK-4034	Repair kit for SV4003 and SV4004
VRK-4002SS	Repair kit for SV4002-SS
VRK-4034SS	Repair kit for SV4003-SS and SV4004-SS

Comes complete with operator's manual, 8 W coil, and cable grip.

Ordering Examples: SV4002A, 1/2 NPT normally closed valve for 7/16" orifice. SV4004A-NO, 1 NPT normally open valve for 1" orifice.

J