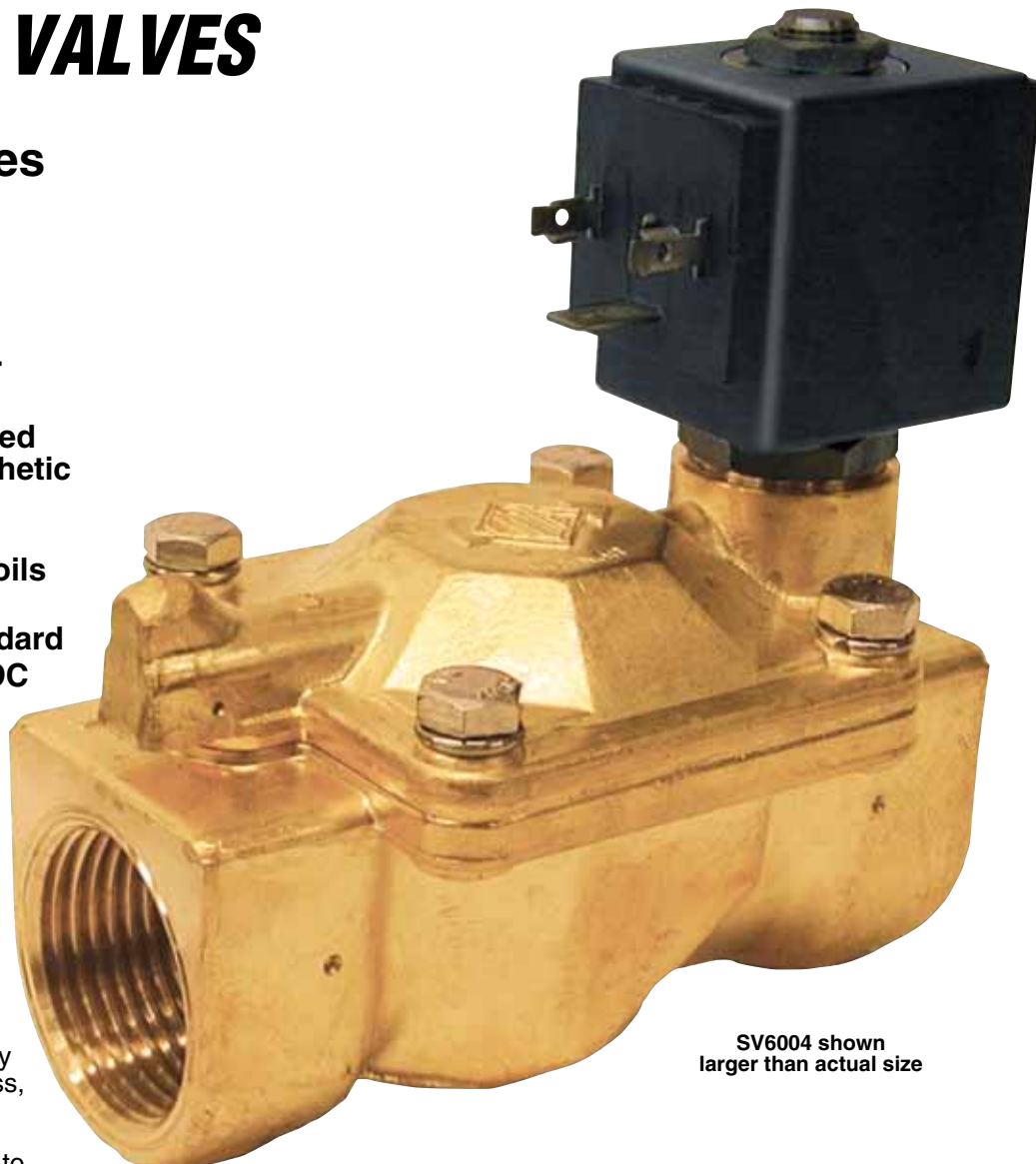


OMEGA-FLO® 2-WAY SOLENOID VALVES

SV6000 Series



- ✓ Normally Closed or Normally Open
- ✓ Ideal for Compressed Air, Inert Gas, Synthetic Oils and Water
- ✓ 120 Vac Standard (220 Vac and DC Coils are Optional)
- ✓ 8 W, AC Coils Standard
- ✓ 12 or 14 W, AC or DC Coils Available For Many Models



SV6004 shown larger than actual size

SV6000 Series 2-way solenoid valves are internally piloted valves featuring Brass, stainless steel construction and FKM seal material. The temperature range from -10 to 137°C (14 to 280°F) and FKM O-ring material is ideal for neutral media such as compressed air, inert gases, synthetic oils and water. Buna O-rings are good for compressed air, inert gases, and water. Buna O-rings have a more limited temperature range from -10 to 90°C (14 to 195°F).

A strain-relief connector is supplied with each unit. A ½" conduit plug is also available.

SPECIFICATIONS

Mounting Position: Any (preferably with solenoid system upright)

Operating Ambient:

FKM O-Ring: -10 to 137°C (14 to 280°F)

Buna O-ring: -10 to 90°C (14 to 195°F). Buna O-rings are not recommended for synthetic oils. Use FKM O-rings.

Maximum Ambient Temperature: Coil Dependent (See ratings on coils)

Voltage Tolerance: ±10%

Opening Time (msec): 200 to 500 approximately

Closing Time (msec): 100 to 4000 approximately

Cycling Rate: Approx. 10 to 50 cpm

Duty Cycle: Continuous (100%)

Coil Molding Material:

Black Polyester (Class F):

SV8COIL-115AC, SV8COIL-24DC/60HZ, SV8COIL-220AC

Black Polyamide (Class F):

SV8COIL-12DC, SV8COIL-24DC, All 12 Watt coils

Black Polyphenylsulfide (Class H): SV8COIL-115/60HZ

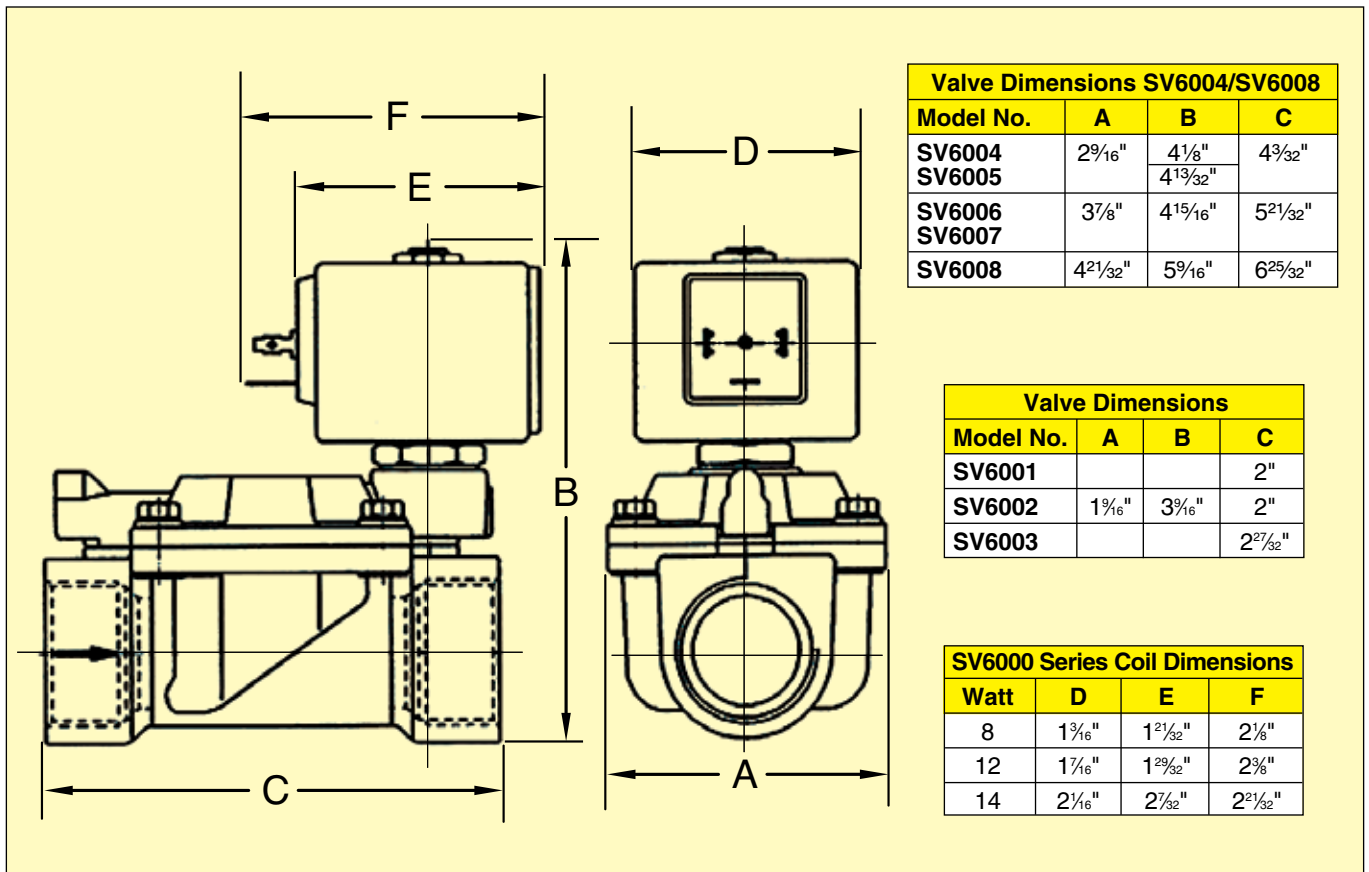
Black Epoxy Resin (Class H): All 14 Watt coils

Materials of Construction

Body	Brass
Armature Tube	Stainless Steel 300
Fixed Core	Stainless Steel 400
Plunger	Stainless Steel 400
Spring	Stainless Steel 300
Shading Ring	Copper
Orifice	Brass

Coil Specifications

Coil	Inrush VA	Holding VA
8 W	25	14
12 W	36	23
14 W	43	27



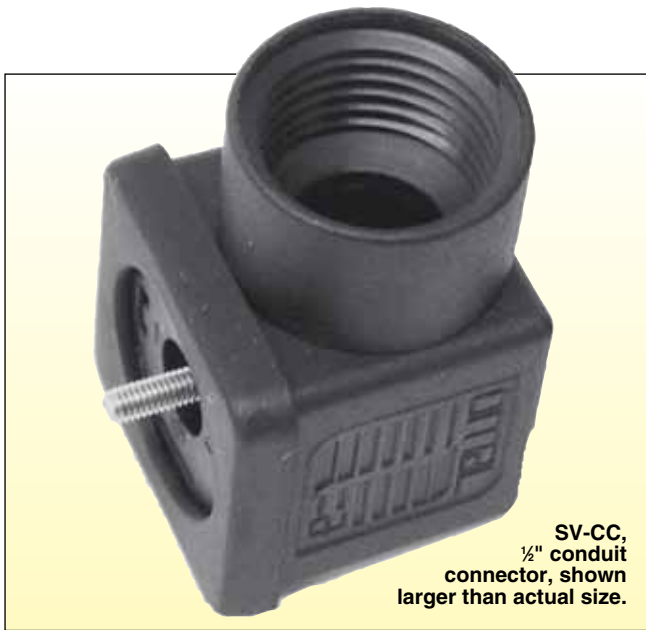
Valve Dimensions SV6004/SV6008			
Model No.	A	B	C
SV6004	2 ⁹ / ₁₆ "	4 ¹ / ₈ "	4 ³ / ₃₂ "
SV6005		4 ¹³ / ₃₂ "	
SV6006	3 ⁷ / ₈ "	4 ¹⁵ / ₁₆ "	5 ²¹ / ₃₂ "
SV6007			
SV6008	4 ²¹ / ₃₂ "	5 ⁹ / ₁₆ "	6 ²⁵ / ₃₂ "

Valve Dimensions			
Model No.	A	B	C
SV6001			2"
SV6002	1 ⁷ / ₁₆ "	3 ³ / ₁₆ "	2"
SV6003			2 ²⁷ / ₃₂ "

SV6000 Series Coil Dimensions			
Watt	D	E	F
8	1 ³ / ₁₆ "	1 ²¹ / ₃₂ "	2 ¹ / ₈ "
12	1 ⁷ / ₁₆ "	1 ²⁹ / ₃₂ "	2 ³ / ₈ "
14	2 ¹ / ₁₆ "	2 ⁷ / ₃₂ "	2 ²¹ / ₃₂ "

To Order									
Normally Closed Model No.	Pipe Size	Orifice Size	Cv Flow Factor	O-Ring	Coils		Operating Pressure		
					Standard	Optional	Minimum psi	M.O.P.D.*	
								AC psi	DC psi
SV6001	¼"	7 ¹ / ₁₆ "	1.5	FKM	8 W		2	300	150
	¼"	7 ¹ / ₁₆ "	1.5	FKM		12 or 14 W	2	300	300
SV6002	3 ⁸ / ₁₆ "	7 ¹ / ₁₆ "	1.7	FKM	8 W		2	300	150
	3 ⁸ / ₁₆ "	7 ¹ / ₁₆ "	1.7	FKM		12 or 14 W	2	300	300
SV6003	½"	7 ¹ / ₁₆ "	1.7	FKM	8 W		2	300	150
	½"	7 ¹ / ₁₆ "	1.7	FKM		12 or 14 W	2	300	300
SV6004	¾"	¾"	9.8	Buna†	8 W	—	2	230	230
SV6005	1"	1"	14	Buna†	8 W	—	2	230	230
SV6006	1¼"	1¾"	28	Buna†	8 W	—	2	150	150
SV6007	1½"	1½"	36	Buna†	8 W	—	2	150	150
SV6008	2"	2"	53	Buna†	8 W	—	2	150	150
Normally Open Model No.									
SV6004-NO	¾"	¾"	9.8	Buna†	8 W	—	2	230	230
SV6005-NO	1"	1"	14	Buna†	8 W	—	2	230	230
SV6006-NO	1¼"	1¾"	28	Buna†	8 W	—	2	150	150
SV6007-NO	1½"	1½"	36	Buna†	8 W	—	2	150	150
SV6008-NO	2"	2"	53	Buna†	8 W	—	2	150	150

* Maximum Operational Pressure Differential.
† Add suffix "--V" to model number to change standard Buna O-rings to FKM, for additional cost.
Comes complete with operator's manual, 8 W coil and cable grip connector.
Ordering Examples: SV6002, 3/8 NPT normally closed valve for 7/16" orifice.
SV6004-NO, ¾" normally open valve for ¾" orifice.
SV8COIL-12DC, 8 W coil for 12 Vdc 154°C (310°F) (Class F).



Accessories

Model No.	Description
Connectors	
SV-CGC	Cable grip connector
SV-CC	1/2" conduit connector
Coils	
SV8COIL-115AC	Replacement 8W coil for 110 to 120 VAC/50 to 60 Hz 154°C (310°F) (Class F)
SV8COIL-12DC	8W coil for 12 Vdc 154°C (310°F) (Class F)
SV8COIL-24DC	8W coil for 24 Vdc 154°C (310°F) (Class F)
SV8COIL-24AC/60HZ	8W coil for 24 Vac/60Hz 182°C (360°F) (Class F)
SV8COIL-220AC	8W coil for 220 to 240 Vac/50 to 60 Hz 154°C (310°F) (Class F)
SV8COIL-115/60HZ	8W coil for 115 Vac/60 Hz 182°C (360°F) (Class H)
SV12COIL-120/60HZ	12W coil for 120 Vac/60 Hz 154°C (310°F) (Class F)
SV12COIL-12DC	12W coil for 12 Vdc 154°C (310°F) (Class F)
SV12COIL-24DC	12W coil for 24 Vdc 154°C (310°F) (Class F)
SV14COIL-24DC	14W coil for 24 Vdc 182°C (360°F) (Class H)
SV14COIL-24/50-60HZ	14W coil for 24 Vac/50 to 60Hz 182°C (360°F) (Class H)
SV14COIL-12DC	14W coil for 12 Vdc 182°C (360°F) (Class H)
Repair Kits (Include Diaphragm, Spring, Plunger, and O-rings)	
VRK-6000	Repair kit for SV6001, SV6002, SV6003
VRK-6000-NO	Repair kit for SV6002-NO, SV6003-NO
VRK-6045	Repair kit for SV6004, SV6005
VRK-6045-V	Repair kit for SV6004, SV6005 with FKM O-rings
VRK-6045-NO	Repair kit for SV6004-NO, SV6005-NO
VRK-6067	Repair kit for SV6006, SV6007
VRK-6067-V	Repair kit for SV6006, SV6007 with FKM O-rings
VRK-6067-NO	Repair kit for SV6006-NO, SV6007-NO
VRK-6008	Repair kit for SV6008
VRK-6008-V	Repair kit for SV6008 with FKM O-rings
VRK-6008-NO	Repair kit for SV6008-NO

cable grip connector.

SV8COIL-12DC, 8W coil for 12 Vdc 154°C (310°F) (Class F).