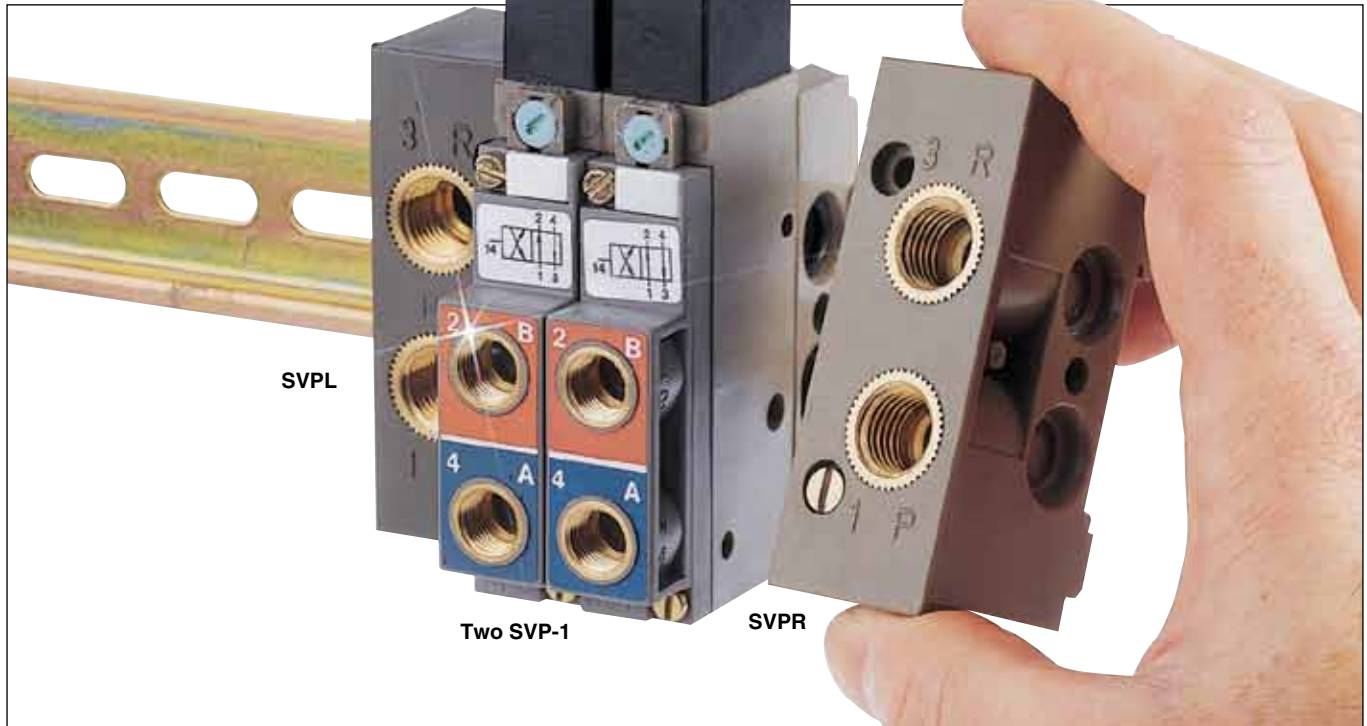


# OMEGA-FLO® 3/2, 4/2-WAY SOLENOID VALVES FOR PNEUMATICS

## Modular, DIN Rail System

### SVP Series

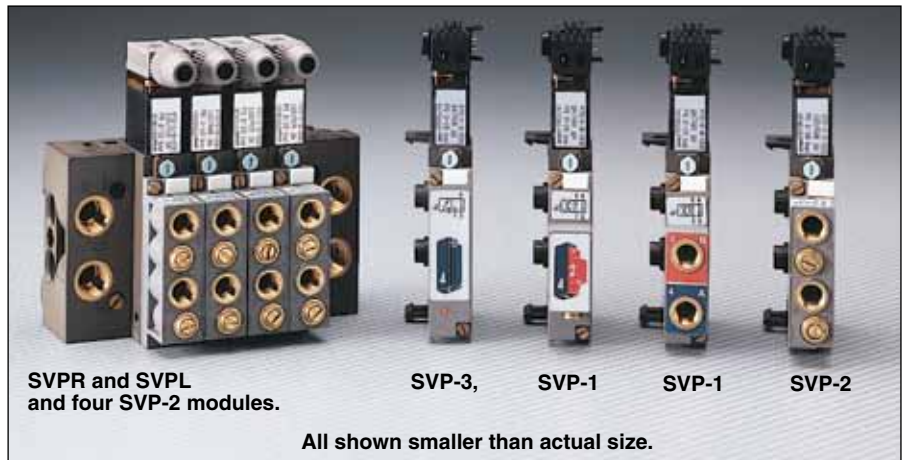


- ✓ Flexible and Easy to Install
- ✓ Can Be Mounted on Standard DIN Rail or on Surface
- ✓ Integrated Exhaust
- ✓ High Flow
- ✓ Low Power Consumption
- ✓ Dry Air Operation
- ✓ LED Display

The SVP Series of modular solenoid valves offers a variety of options for different applications. Valve assemblies can be cabinet-mounted using a standard DIN rail or can be surface mounted if required. The modular system is highly flexible both electrically and pneumatically, with many different port options. The P and R ports are integrated in the inlet and manifold end modules to feed the supply and collect the exhaust air.

The spring clip mechanism ensures easy valve manifold assembly. The valves are space-saving, with each unit only 18 mm (0.7") wide. The system is very installation- and service-friendly. If a valve in the block needs to be changed, this can be done simply by loosening

two screws. There is no need to dismantle the manifold assembly to add or change valves. (Power must be isolated before dismantling, however.) Additional features include lockable manual override, LED display, and suppressor.



SVP-3 solenoid valves with NAMUR interface are ideally suited for piloting quarter-turn actuators on ball and butterfly valves, like the "Black Mushroom" valves used extensively in process control. The SVP-3 individual valves have a NAMUR flange interface. The flange mounts directly to the valve assembly.

## SPECIFICATIONS

### Valve

**Installation:** As required

**Materials:** Internals: stainless steel; seal: NBR; body: thermoplastic

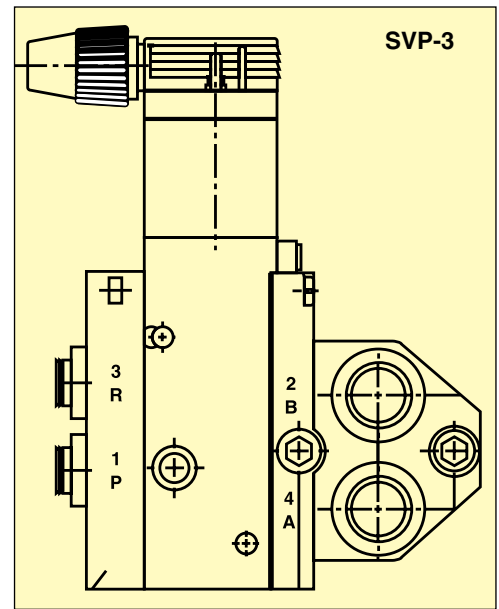
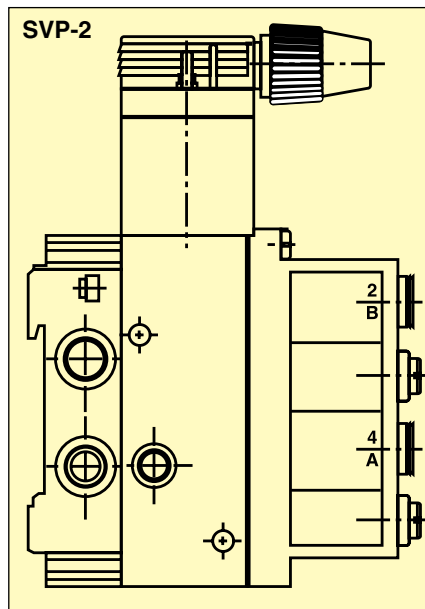
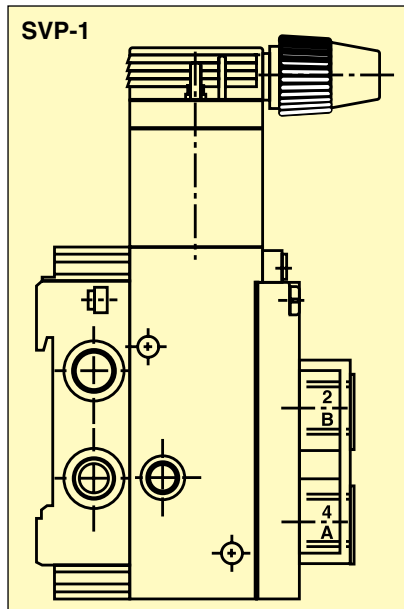
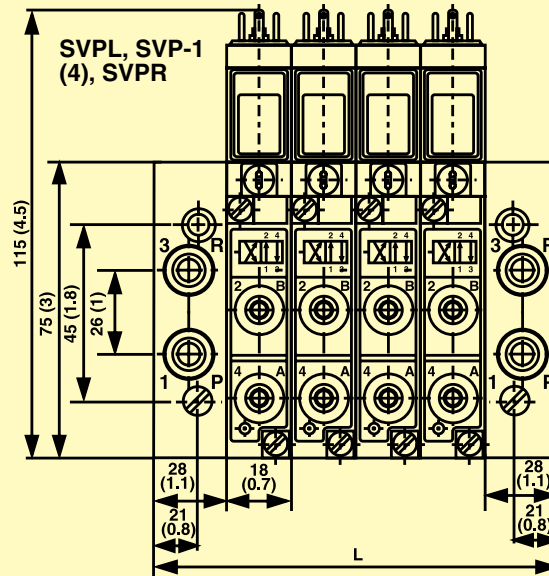
**Maximum Ambient Temperature:** 54°C (130°F)

**Fluid Temperature Range:** -25 to 50°C (-13 to 122°F)

**Opening Time:** Approx. 30 msec

**Closing Time:** Approx. 20 msec

**Dimensions: mm (inches)**



Multiple Assembly n-station	Dimensions with end connector modules mm (inches)
2-station	92 (3.6)
3-station	110 (4.3)
4-station	128 (5.0)
5-station	146 (5.7)
6-station	164 (6.5)
7-station	182 (7.2)
8-station	200 (7.9)
9-station	218 (8.6)
10-station	236 (9.3)
11-station	254 (10.0)
12-station	272 (10.7)
13-station	290 (11.0)
14-station	308 (12.0)
15-station	326 (12.8)
16-station	360 (14.0)

**Orifice:** 5/32"

**Pressure Range:** 28 to 140 psi

**Flow:** 10.5 SCFM (air) measured at 19°C (66°F) with 85 psi input pressure and a pressure drop of 15 psi across valve; Cv = 0.32

**Actuator**

**Operating Voltage:** 120 V, 50/60 Hz

**Power Consumption:** 2 W (hold)

**Voltage Tolerance:** ±10%

**Cycling Speed:** 600 cpm

**Duty Cycle:** Continuous (100%)

**DIN Rail:** Mountable on #3 DIN rail

## To Order

Model No.	Description
<b>SVP-1</b>	1/8 NPT DIN-rail mount manifold module*
<b>SVP-2</b>	1/8 NPT DIN-rail manifold module with flow control*
<b>SVP-3</b>	NAMUR flange mount 4-way solenoid valve
<b>SVPR</b>	Right DIN-rail manifold input module*
<b>SVPL</b>	Left DIN-rail manifold input module*

\* SVPR and SVPL are required for each DIN-rail assembly.

Comes complete with operator's manual.

**Ordering Examples:** SVP-1, 1/8 NPT DIN-rail mount manifold module, SVPR and SVPL, DIN rail manifold input modules.

SVP-3, NAMUR flange mount 4-way solenoid valve.