

# SOLENOID VALVE TIMERS

## SVT-1078A



- ✓ Programmable for: Turn On, Turn Off or Pulse with 8 Different Time Spans
- ✓ Switching Times Adjustable Via Potentiometers Within Preselected Range
- ✓ Two Integrated Red LEDs Provide Control Status

### SPECIFICATIONS

**Supply Voltage:** 110 to 230 V/50 to 60 Hz (standard)

**Power Consumption:** Maximum 1.0 W

**Switching Load:**  $I_{max} = 0.5$  A at supply voltage  
110 to 230 V/50-60 Hz

**Note:** Terminal voltage and current type must always equal the connected load of the solenoid valve

**Cable Outlet:** Rotatable in 90° steps

**Poles:** 2-pole and earth ground

**Outlet:** Connector pin assignment according to DIN 43 650

**Contact:** Plane contact similar to flat plug (DIN 46 247/48)

**Connection:** 3-pole terminal strip in the unit, max. wire diameter 1.5 mm (0.06"), PG-cable gland at 6 to 7 mm (0.24 to 0.28")

**Classification:** NEMA 4 (IP65), air gaps and leakage paths according to VDE 0100

**Operating Temperature Range:** 0 to 54°C (32 to 130°F)

**Influence of Temperature on Response Time:** ±5% of full scale time range

**Influence of Voltage on Response Time:** ±1% of full scale time range

**Indicators:** LED for connected power supply and energized load

**Adjustment:** Function and time range via DIP switch; precision adjustment of response times via potentiometer

**Body Material:** Polyimide plastic

**Mounting:** Cheesehead screw M3 x 45 mm (1.8")

**Weight:** 60 g (2.1 oz)

**Cycler:** Connected valve is switched on and off periodically according to  $t_{on}$  and  $t_{off}$  times set. "Cycler" function starts with  $t_{on}$ .

**Inverted Cycler:** Circuit function of the cycler is actuated in reverse sequence of operation. "Inverted cycler" starts with  $t_{off}$ .

**Switch-On Impulse:** Once energized, the connected valve is operated for the preset time ( $t_{on}$ ). Then, the valve switches off until it is energized again.

**Switch-On Delay:** Once energized, the connected valve is switched only after the expiration of the preset time ( $t_{on}$ ) for the duration of the supply voltage being applied.

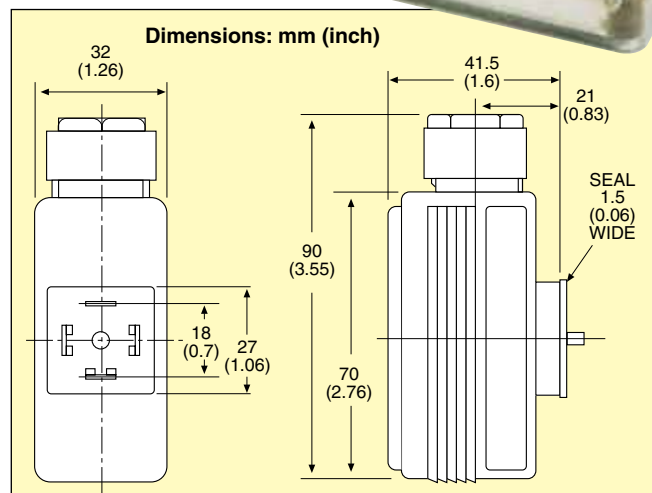
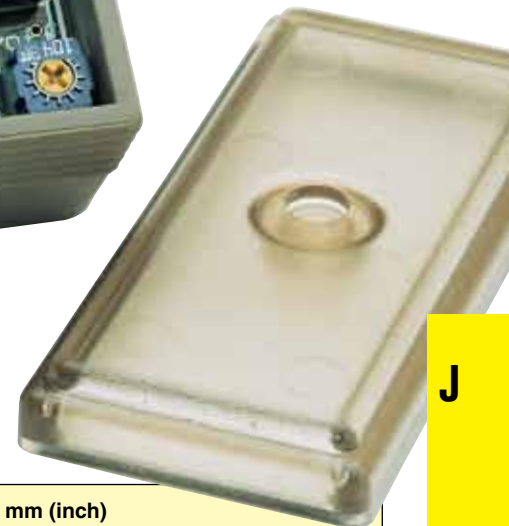
**Time Ranges for  $t_{on}$  and  $t_{off}$ :** individually combinable: 0.5 to 10 sec; 1.5 to 30 sec; 5.0 to 100 sec; 0.5 to 10 min; 1.5 to 30 min; 5 to 100 min; 12 to 240 min; 0.5 to 10 hr

**Delivery Status:**  $t_{on} = 0.5$  to 10 sec;

$t_{off} = 0.5$  to 10 sec, function pulse generator



SVT-1078A shown larger than actual size.



### To Order

Model No.	Description
SVT-1078A	Solenoid valve timer

Comes complete with operator's manual.

**Ordering Example:** SVT-1078A, solenoid valve timer.