

HEAVY DUTY IMMERSION HEATER WITH INTEGRAL THERMOSTAT – 2.5 NPT FITTING

ARMTS-3 Series
Starts at

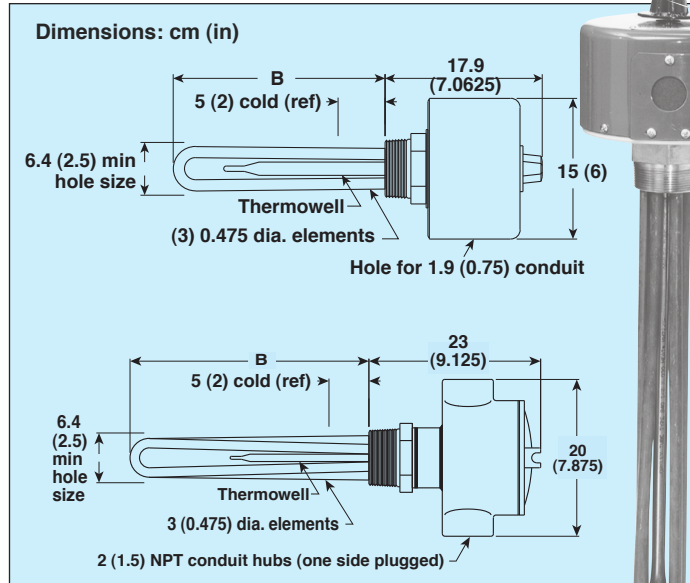
\$1200



- ✓ Passivated Stainless Steel Wetted
- ✓ 3 Element Heater Design
- ✓ 208, 240, or 480 Vac; 3 Phase Power
- ✓ 3 to 18 kW
- ✓ For Process Water Applications

SPECIFICATIONS

Wattage: 3 to 18 kW
Power: 208, 240 or 480V; 3 phase power
Sheath: Passivated stainless steel
Screw Plug: 2½ NPT passivated stainless steel
Thermostat: Bulb and capillary
Enclosure: General purpose, NEMA-1 rated, or type E2 moisture resistant/explosion resistant enclosure



ARMTS-3305/240, \$1200, shown smaller than actual size.

ARMTS-3305E2/240, \$1450, shown smaller than actual size.

CAUTION AND WARNING!

Fire and electrical shock may result if products are used improperly or installed or used by non-qualified personnel.

Note: The integral thermostat functions as a temperature control only. This is not a fail safe device. An approved pressure or temperature control should be used with these heaters to assure safe operation. See Section P for our selection of control devices.

MOST POPULAR MODELS HIGHLIGHTED!

To Order (Specify Model Number)

kW	Phase	W/in ²	No. Htg. Elem.	Dim. B cm (in)	T-2 Temp Range (60 to 250°F)			T-1 Temp Range (0 to 100°F)		
					Model No.	Price	Wt. kg (lb)	Model No.	Price	Wt. kg (lb)
ARMTS-3 with General Purpose Terminal Enclosure										
3	3	51	3	18 (7)	ARMTS-3305*/3P	\$1200	4 (8)	ARMTS-3305T1*/3P	\$1200	4 (8)
4.5	3	48	3	28 (11)	ARMTS-3455*/3P	1300	4 (8)	ARMTS-3455T1*/3P	1300	4 (8)
6	3	48	3	43 (17)	ARMTS-3605*/3P	1350	4 (9)	ARMTS-3605T1*/3P	1350	4 (9)
7.5	3	53	3	47 (8.5)	ARMTS-3755*/3P	1400	5 (10)	ARMTS-3755T1*/3P	1400	5 (10)
9	3	47	3	61 (24)	ARMTS-3905*/3P	1500	5 (10)	ARMTS-3905T1*/3P	1500	5 (10)
12	3	46	3	81 (32)	ARMTS-3120*/3P	1650	4 (11)	ARMTS-3120T1*/3P	1650	4 (11)
15	3	46	3	100 (39.5)	ARMTS-3150*/3P	1800	5 (12)	ARMTS-3150T1*/3P	1800	5 (12)
18	3	51	3	119 (47)	¹ ARMTS-3180*/3P	1900	6 (13)	¹ ARMTS-3180T1*/3P	1900	6 (13)
ARMTS-3 with Moisture Resistant/Explosion Resistant Enclosure (Type E2)										
3	3	51	3	18 (7)	ARMTS-3305E2*/3P	\$1450	6 (13)	ARMTS-3305E2T1*/3P	\$1450	6 (13)
4.5	3	48	3	28 (11)	ARMTS-3455E2*/3P	1550	6 (13)	ARMTS-3455E2T1*/3P	1550	6 (13)
6	3	48	3	43 (17)	ARMTS-3605E2*/3P	1600	5 (12)	ARMTS-3605E2T1*/3P	1600	6 (14)
7.5	3	53	3	47 (8.5)	ARMTS-3755E2*/3P	1650	6 (14)	ARMTS-3755E2T1*/3P	1650	7 (15)
9	3	47	3	61 (24)	ARMTS-3905E2*/3P	1750	7 (15)	ARMTS-3905E2T1*/3P	1750	7 (15)
12	3	46	3	81 (32)	ARMTS-3120E2*/3P	1900	7 (15)	ARMTS-3120E2T1*/3P	1900	7 (16)
15	3	46	3	100 (39.5)	ARMTS-3150E2*/3P	2050	8 (17)	ARMTS-3120E2T1*/3P	1900	8 (17)
18	3	51	3	119 (47)	² ARMTS-3180E2*/3P	2150	8 (18)	² ARMTS-3180E2T1*/3P	2150	8 (18)

¹ Not UL Listed or CSA Certified (exceeds 48 amps) ² Not CSA NRTL/C Certified (exceeds 48 amps)

* Designate voltage, i.e., "240" for 240V or "480" for 480V.

Ordering Example: ARMTS-3305T1/240/3P, 3 kW heater with a thermostat range of 0 to 100°F powered by 240 Vac, \$1200.



UNITED STATES

www.omega.com
1-800-TC-OMEGA
Stamford, CT.

CANADA

www.omega.ca
Laval(Quebec)
1-800-TC-OMEGA

GERMANY

www.omega.de
Deckenpfronn, Germany
0800-8266342

UNITED KINGDOM

www.omega.co.uk
Manchester, England
0800-488-488

FRANCE

www.omega.fr
Guyancourt, France
088-466-342

CZECH REPUBLIC

www.omegaeng.cz
Karviná, Czech Republic
596-311-899

BENELUX

www.omega.nl
Amstelveen, NL
0800-099-33-44



More than 100,000 Products Available!

• Temperature

Calibrators, Connectors, General Test and Measurement Instruments, Glass Bulb Thermometers, Handheld Instruments for Temperature Measurement, Ice Point References, Indicating Labels, Crayons, Cements and Lacquers, Infrared Temperature Measurement Instruments, Recorders Relative Humidity Measurement Instruments, RTD Probes, Elements and Assemblies, Temperature & Process Meters, Timers and Counters, Temperature and Process Controllers and Power Switching Devices, Thermistor Elements, Probes and Assemblies, Thermocouples Thermowells and Head and Well Assemblies, Transmitters, Wire

• Flow and Level

Air Velocity Indicators, Doppler Flowmeters, Level Measurement, Magnetic Flowmeters, Mass Flowmeters, Pitot Tubes, Pumps, Rotameters, Turbine and Paddle Wheel Flowmeters, Ultrasonic Flowmeters, Valves, Variable Area Flowmeters, Vortex Shedding Flowmeters

• pH and Conductivity

Conductivity Instrumentation, Dissolved Oxygen Instrumentation, Environmental Instrumentation, pH Electrodes and Instruments, Water and Soil Analysis Instrumentation

• Data Acquisition

Auto-Dialers and Alarm Monitoring Systems, Communication Products and Converters, Data Acquisition and Analysis Software, Data Loggers Plug-in Cards, Signal Conditioners, USB, RS232, RS485 and Parallel Port Data Acquisition Systems, Wireless Transmitters and Receivers

• Pressure, Strain and Force

Displacement Transducers, Dynamic Measurement Force Sensors, Instrumentation for Pressure and Strain Measurements, Load Cells, Pressure Gauges, Pressure Reference Section, Pressure Switches, Pressure Transducers, Proximity Transducers, Regulators, Strain Gages, Torque Transducers, Valves

• Heaters

Band Heaters, Cartridge Heaters, Circulation Heaters, Comfort Heaters, Controllers, Meters and Switching Devices, Flexible Heaters, General Test and Measurement Instruments, Heater Hook-up Wire, Heating Cable Systems, Immersion Heaters, Process Air and Duct, Heaters, Radiant Heaters, Strip Heaters, Tubular Heaters