

CLEAN WATER IMMERSION HEATER WITH INTEGRAL THERMOSTAT

1 NPT Fitting

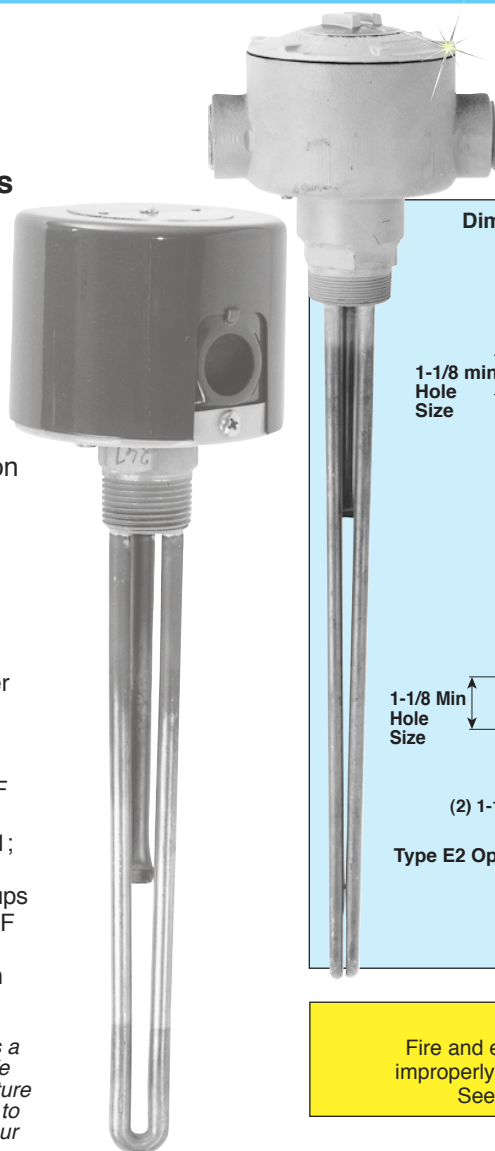
- ✓ 1" Brass Screw Plug
- ✓ Copper Sheath for Clean Water Applications
- ✓ Integral Bulb and Capillary Thermostat—3 Temperature Ranges Available
- ✓ UL Listed with General Purpose NEMA-1 Rated Enclosure

ARTM Series screw plug immersion heaters are designed for direct contact heating in clean water applications.

SPECIFICATIONS

Wattage: 0.75 to 3 kW
Power: 120 or 240 Vac, 1 phase
Sheath: 0.800 cm (0.315") dia. copper
Screw Plug: 1 NPT brass
Thermostat: bulb and capillary type, 3 temperature ranges available; 60 to 187°F, 60 to 240°F, or 0 to 127°F
Watt Density: 64-78 W/in²
Enclosure: General purpose NEMA-1; optional moisture tight/explosion resistant enclosure meets Class I, groups C & D, Div. 1 & 2, Class II, Groups E, F & G, Div. 1&2, Class III, Div. 1 & 2
Third Party Approvals: UL listed with general purpose enclosures

Note: The integral thermostat functions as a temperature control only. this not a fail safe device. An approved pressure or temperature control should be used with these heaters to assure safe operation. See section P for our full selection of control devices.

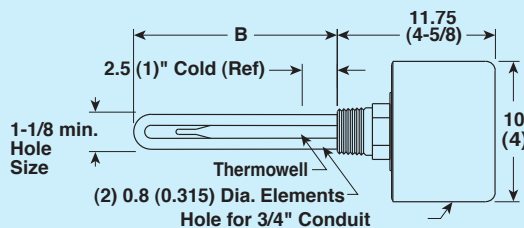


ARTM Series Starts at

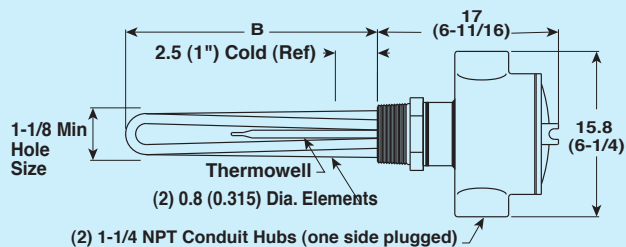
\$205



Dimensions: cm (in)



General Purpose Terminal Enclosure--E1



Type E2 Optional Moisture Tight/Explosion Resistant Enclosure

(Explosion resistant enclosure - not intended for use in hazardous areas)

CAUTION AND WARNING!

Fire and electrical shock may result if products are used improperly or installed or used by non-qualified personnel. See inside back cover for additional warning.

MOST POPULAR MODELS HIGHLIGHTED!

To Order (Specify Model Number)

kW	Phase	W/in ²	No. Htg. Elem.	Dim.B cm (")	Temp. Range (60 to 187°F)		Temp. Range (60 to 240°F)		Temp. Range (0 to 127°F)		Wt. kg (lb)
					Model No.	Price	Model No.	Price	Model No.	Price	
0.75	1	64	1	16 (6 ⁵ / ₁₆)	†ARTM-750/*	\$205	†ARTM-750TH/*	\$205	†ARTM-750TL/*	\$205	1 (2.25)
1.0	1	85	1	16 (6 ⁵ / ₁₆)	†ARTM-1000/*	215	†ARTM-1000TH	215	†ARTM-1000TL/*	215	1 (2.25)
1.25	1	83	1	21 (8 ¹ / ₁₆)	†ARTM-1250/*	225	†ARTM-1250TH/*	225	†ARTM-1250TL/*	225	1 (2.50)
1.5	1	86	1	24 (9 ¹ / ₄)	†ARTM-1500/*	235	†ARTM-1500TH/*	235	†ARTM-1500TL/*	235	1 (2.50)
2.0	1	83	1	31 (12 ¹ / ₄)	ARTM-2000/*	250	ARTM-2000TH/*	250	ARTM-2000TL/*	250	1 (2.75)
2.5	1	79	1	41 (16 ¹ / ₄)	ARTM-2500/*	270	ARTM-2500TH/*	270	ARTM-2500TL/*	270	1 (3.00)
3.0	1	78	1	50 (19 ⁷ / ₁₆)	ARTM-3000/240	285	ARTM-3000TH/240	285	ARTM-3000TL/240	285	1 (3.25)

† U.L. Listed

* Designate voltage, insert "120" for 120 Vac or "240" for 240 Vac. Those model numbers already containing /240 are only available in that voltage. To order with the optional E2 enclosure, insert "E2" into the model number as shown, ARTM-750E2/240, add \$430 to base price.

Ordering Example: ARTM-1250E2TH240 is a 1.25kW heater with thermostat range 60 to 240°F powered by 240 Vac with moisture tight explosion resistant enclosure, \$225 + 460 = \$685 (Not intended for use in hazardous areas). Note: add 1 kg (3 lb) to weight listed if ordered with E2 enclosure.



UNITED STATES

www.omega.com
1-800-TC-OMEGA
Stamford, CT.

CANADA

www.omega.ca
Laval(Quebec)
1-800-TC-OMEGA

GERMANY

www.omega.de
Deckenpfronn, Germany
0800-8266342

UNITED KINGDOM

www.omega.co.uk
Manchester, England
0800-488-488

FRANCE

www.omega.fr
Guyancourt, France
088-466-342

CZECH REPUBLIC

www.omegaeng.cz
Karviná, Czech Republic
596-311-899

BENELUX

www.omega.nl
Amstelveen, NL
0800-099-33-44



More than 100,000 Products Available!

• Temperature

Calibrators, Connectors, General Test and Measurement Instruments, Glass Bulb Thermometers, Handheld Instruments for Temperature Measurement, Ice Point References, Indicating Labels, Crayons, Cements and Lacquers, Infrared Temperature Measurement Instruments, Recorders Relative Humidity Measurement Instruments, RTD Probes, Elements and Assemblies, Temperature & Process Meters, Timers and Counters, Temperature and Process Controllers and Power Switching Devices, Thermistor Elements, Probes and Assemblies, Thermocouples Thermowells and Head and Well Assemblies, Transmitters, Wire

• Flow and Level

Air Velocity Indicators, Doppler Flowmeters, Level Measurement, Magnetic Flowmeters, Mass Flowmeters, Pitot Tubes, Pumps, Rotameters, Turbine and Paddle Wheel Flowmeters, Ultrasonic Flowmeters, Valves, Variable Area Flowmeters, Vortex Shedding Flowmeters

• pH and Conductivity

Conductivity Instrumentation, Dissolved Oxygen Instrumentation, Environmental Instrumentation, pH Electrodes and Instruments, Water and Soil Analysis Instrumentation

• Data Acquisition

Auto-Dialers and Alarm Monitoring Systems, Communication Products and Converters, Data Acquisition and Analysis Software, Data Loggers Plug-in Cards, Signal Conditioners, USB, RS232, RS485 and Parallel Port Data Acquisition Systems, Wireless Transmitters and Receivers

• Pressure, Strain and Force

Displacement Transducers, Dynamic Measurement Force Sensors, Instrumentation for Pressure and Strain Measurements, Load Cells, Pressure Gauges, Pressure Reference Section, Pressure Switches, Pressure Transducers, Proximity Transducers, Regulators, Strain Gages, Torque Transducers, Valves

• Heaters

Band Heaters, Cartridge Heaters, Circulation Heaters, Comfort Heaters, Controllers, Meters and Switching Devices, Flexible Heaters, General Test and Measurement Instruments, Heater Hook-up Wire, Heating Cable Systems, Immersion Heaters, Process Air and Duct, Heaters, Radiant Heaters, Strip Heaters, Tubular Heaters