

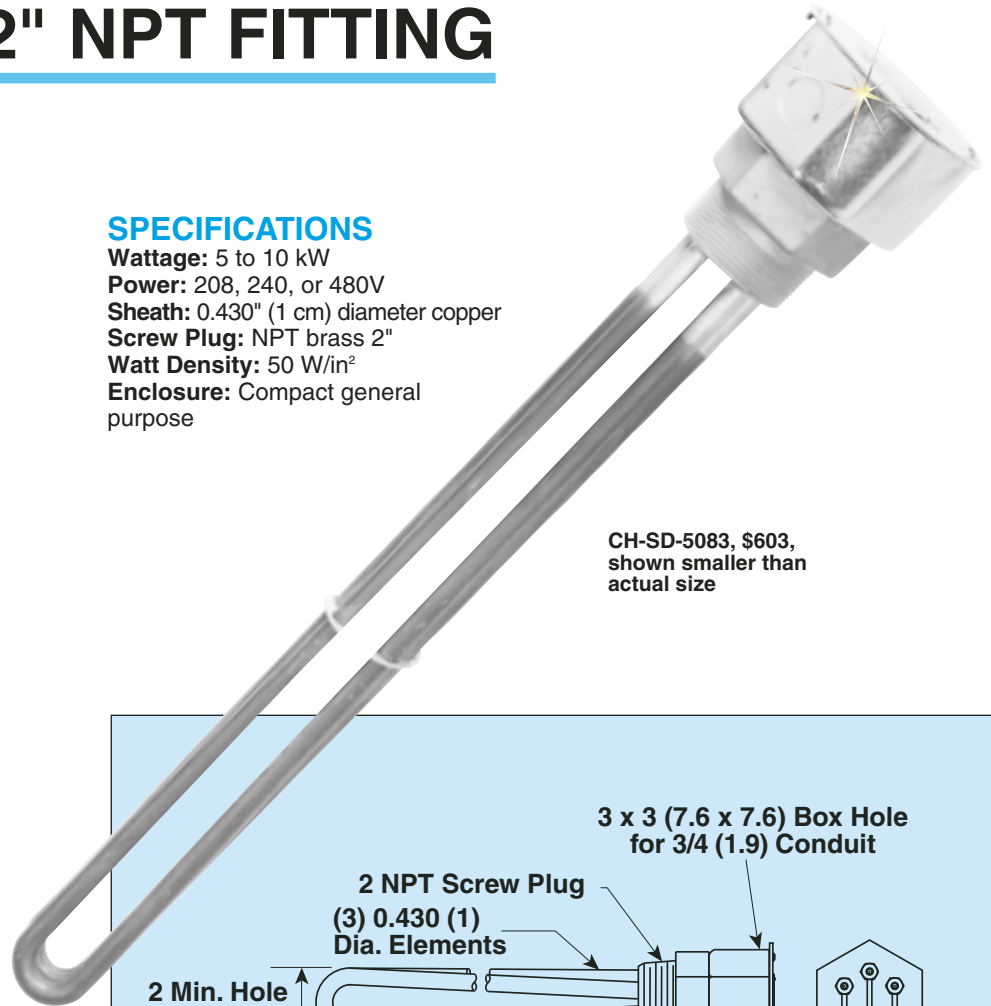
COMPACT IMMERSION HEATER FOR DIFFICULT CLEAN LIQUIDS—2" NPT FITTING

CH-SD Series
Starts at
\$603



SPECIFICATIONS

Wattage: 5 to 10 kW
Power: 208, 240, or 480V
Sheath: 0.430" (1 cm) diameter copper
Screw Plug: NPT brass 2"
Watt Density: 50 W/in²
Enclosure: Compact general purpose

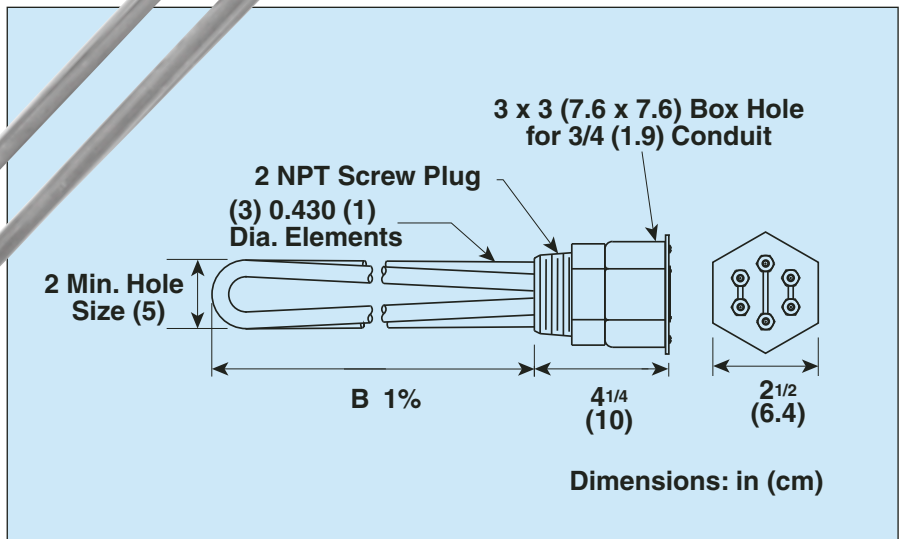


CH-SD-5083, \$603, shown smaller than actual size

- ✓ Incoloy Sheath for Compatibility with More Difficult Clean Liquids
- ✓ 2" NPT Brass Screwplug with Compact 3 Element Design
- ✓ 5 to 10 kw
- ✓ General Purpose, NEMA-1 Rated Enclosure

The OMEGALUX® CH-SD Series features a compact 3 element heater design with a 2" brass screw plug. The Incoloy sheath allows compatibility with difficult clean liquids. A popular application for CH-SD Series is heating for industrial dishwashing equipment.

Note: This immersion heater should be used with an approved temperature control device to assure safe operation. See the Temperature Section for our selection of process controllers.



ALL MODELS STOCKED FOR FAST DELIVERY

To Order (Specify Model Number)

kW	Volts	Phase	W/in. ²	No. Htg. Elem.	Dim. B in. (cm)	Model No.	Price	Wt. lb. (kg)
5	208	3	50	3	12 ⁷ / ₈ (33)	CH-SD-5083	\$603	9 (4)
5	240	3	50	3	12 ⁷ / ₈ (33)	CH-SD-5043	603	9 (4)
5	480	3	50	3	12 ⁷ / ₈ (33)	CH-SD-5053	603	9 (4)
5	208	1	50	3	12 ⁷ / ₈ (33)	CH-SD-508	603	9 (4)
5	240	1	50	3	12 ⁷ / ₈ (33)	CH-SD-504	603	9 (4)
7.5	208	3	50	3	18 ³ / ₈ (47)	CH-SD-7583	618	10 (5)
7.5	240	3	50	3	18 ³ / ₈ (47)	CH-SD-7543	618	10 (5)
10	208	3	50	3	20 (51)	CH-SD-10083	628	10 (5)
10	240	3	50	3	20 (51)	CH-SD-10043	628	10 (5)
10	480	3	50	3	20 (51)	CH-SD-10053	628	10 (5)

Ordering Example: CH-SD-504, 240 volt, 5 kW heater, \$603.

CAUTION AND WARNING!

Fire and electrical shock may result if products are used improperly or installed or used by non-qualified personnel. See inside back cover for additional warning.



UNITED STATES

www.omega.com
1-800-TC-OMEGA
Stamford, CT.

CANADA

www.omega.ca
Laval(Quebec)
1-800-TC-OMEGA

GERMANY

www.omega.de
Deckenpfronn, Germany
0800-8266342

UNITED KINGDOM

www.omega.co.uk
Manchester, England
0800-488-488

FRANCE

www.omega.fr
Guyancourt, France
088-466-342

CZECH REPUBLIC

www.omegaeng.cz
Karviná, Czech Republic
596-311-899

BENELUX

www.omega.nl
Amstelveen, NL
0800-099-33-44



More than 100,000 Products Available!

• Temperature

Calibrators, Connectors, General Test and Measurement Instruments, Glass Bulb Thermometers, Handheld Instruments for Temperature Measurement, Ice Point References, Indicating Labels, Crayons, Cements and Lacquers, Infrared Temperature Measurement Instruments, Recorders Relative Humidity Measurement Instruments, RTD Probes, Elements and Assemblies, Temperature & Process Meters, Timers and Counters, Temperature and Process Controllers and Power Switching Devices, Thermistor Elements, Probes and Assemblies, Thermocouples Thermowells and Head and Well Assemblies, Transmitters, Wire

• Flow and Level

Air Velocity Indicators, Doppler Flowmeters, Level Measurement, Magnetic Flowmeters, Mass Flowmeters, Pitot Tubes, Pumps, Rotameters, Turbine and Paddle Wheel Flowmeters, Ultrasonic Flowmeters, Valves, Variable Area Flowmeters, Vortex Shedding Flowmeters

• pH and Conductivity

Conductivity Instrumentation, Dissolved Oxygen Instrumentation, Environmental Instrumentation, pH Electrodes and Instruments, Water and Soil Analysis Instrumentation

• Data Acquisition

Auto-Dialers and Alarm Monitoring Systems, Communication Products and Converters, Data Acquisition and Analysis Software, Data Loggers Plug-in Cards, Signal Conditioners, USB, RS232, RS485 and Parallel Port Data Acquisition Systems, Wireless Transmitters and Receivers

• Pressure, Strain and Force

Displacement Transducers, Dynamic Measurement Force Sensors, Instrumentation for Pressure and Strain Measurements, Load Cells, Pressure Gauges, Pressure Reference Section, Pressure Switches, Pressure Transducers, Proximity Transducers, Regulators, Strain Gages, Torque Transducers, Valves

• Heaters

Band Heaters, Cartridge Heaters, Circulation Heaters, Comfort Heaters, Controllers, Meters and Switching Devices, Flexible Heaters, General Test and Measurement Instruments, Heater Hook-up Wire, Heating Cable Systems, Immersion Heaters, Process Air and Duct, Heaters, Radiant Heaters, Strip Heaters, Tubular Heaters