

BOOSTER HEATER-CORROSION SOLUTION APPLICATIONS

CVCHS Series
Starts at
\$930

- ✓ Non-Metallic (CPVC) Pipe Body
- ✓ 1.5 to 3 kW
- ✓ 120 and 240V, Single Phase
- ✓ General Purpose Terminal Enclosure
- ✓ INCOLOY Sheath Elements (75 W/in²)
- ✓ Integral Thermostat (60 to 190°F)
- ✓ Integral Automatic Cutout (Set at 195°F)

APPLICATIONS

Used to heat clean and corrosive solutions. Ideal for side-arm heating, in-line circulation and engine pre-heaters.

FEATURES

Terminal Enclosure—E1 General Purpose is standard.

Elements—INCOLOY sheath elements rated 75 W/in².

Flange—Stainless steel flange for corrosion resistance.

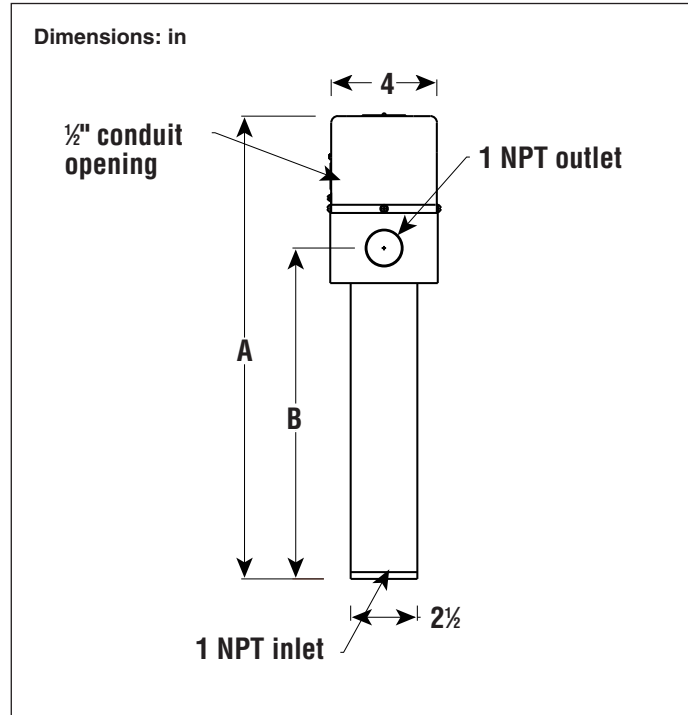
Vessel—CPVC pipe body material is resistant to many corrosive solutions and is ideal for water applications. Pipe body material provides good thermal insulation, reducing heat loss.

Thermostat—Integral thermostat with 60 to 190°F temperature range, located inside the terminal enclosure.

High Limit Control—Integral automatic cutout (overtemperature control) protects against fluid or element overheat (set to open at 195°F).

Vibration Resistant—Vibration resistant construction to withstand vibrations typically experienced on many types of operating equipment (i.e., engines).

Easy to Install—Minimal size and light weight, no supporting brackets are required.



MOST POPULAR MODELS HIGHLIGHTED!

To Order (Specify Model Number)

kW	Volts	Ckt & Phase	Dimensions: in		Model No.	Price	Wt. (lb)
			A	B			
150 lb CPVC Plastic Pipe Body—1 INCOLOY Element (75 W/in²)							
1.5	120	1-1	17 ⁵ / ₁₆	12 ³ / ₈	CVCHS-01-01P5-E1-120V	\$930	3
1.5	240	1-1	17 ⁵ / ₁₆	12 ³ / ₈	CVCHS-01-01P5-E1-240V	1000	3
2	120	1-1	17 ⁵ / ₁₆	12 ³ / ₈	CVCHS-01-002P-E1-120V	1025	3
2	240	1-1	17 ⁵ / ₁₆	12 ³ / ₈	CVCHS-01-002P-E1-240V	1025	3
2.5	120	1-1	21 ⁵ / ₁₆	16 ³ / ₈	CVCHS-01-02P5-E1-120V	1050	4
2.5	240	1-1	21 ⁵ / ₁₆	16 ³ / ₈	CVCHS-01-02P5-E1-240V	1050	4
3	120	1-1	21 ⁵ / ₁₆	16 ³ / ₈	CVCHS-01-003P-E1-120V	1100	4
3	240	1-1	21 ⁵ / ₁₆	16 ³ / ₈	CVCHS-01-003P-E1-240V	1100	4

Ordering Examples: CVCHS-01-002P-E1-240V, 2 kW, 240V heater, \$1025.
CVCHS-01-003P-E1-120V, 3 kW, 120V heater, \$1100.

Ordering Information

To Order — Complete the Model Number using the Matrix provided.

Model	Corrosive Solution Booster Heater				
CVCHS	Corrosive Water Solution Circulation Heater				
	Code	Number of Elements			
	01	One			
		Code	kW		
		01P5	1.5	02P5	2.5
		002P	2	003P	3
		Code	Terminal Enclosure		
		E1	General Purpose		
CVCHS	01	01P5	E1	Typical Model Number	



UNITED STATES

www.omega.com
1-800-TC-OMEGA
Stamford, CT.

CANADA

www.omega.ca
Laval(Quebec)
1-800-TC-OMEGA

GERMANY

www.omega.de
Deckenpfronn, Germany
0800-8266342

UNITED KINGDOM

www.omega.co.uk
Manchester, England
0800-488-488

FRANCE

www.omega.fr
Guyancourt, France
088-466-342

CZECH REPUBLIC

www.omegaeng.cz
Karviná, Czech Republic
596-311-899

BENELUX

www.omega.nl
Amstelveen, NL
0800-099-33-44



More than 100,000 Products Available!

• Temperature

Calibrators, Connectors, General Test and Measurement Instruments, Glass Bulb Thermometers, Handheld Instruments for Temperature Measurement, Ice Point References, Indicating Labels, Crayons, Cements and Lacquers, Infrared Temperature Measurement Instruments, Recorders Relative Humidity Measurement Instruments, RTD Probes, Elements and Assemblies, Temperature & Process Meters, Timers and Counters, Temperature and Process Controllers and Power Switching Devices, Thermistor Elements, Probes and Assemblies, Thermocouples Thermowells and Head and Well Assemblies, Transmitters, Wire

• Flow and Level

Air Velocity Indicators, Doppler Flowmeters, Level Measurement, Magnetic Flowmeters, Mass Flowmeters, Pitot Tubes, Pumps, Rotameters, Turbine and Paddle Wheel Flowmeters, Ultrasonic Flowmeters, Valves, Variable Area Flowmeters, Vortex Shedding Flowmeters

• pH and Conductivity

Conductivity Instrumentation, Dissolved Oxygen Instrumentation, Environmental Instrumentation, pH Electrodes and Instruments, Water and Soil Analysis Instrumentation

• Data Acquisition

Auto-Dialers and Alarm Monitoring Systems, Communication Products and Converters, Data Acquisition and Analysis Software, Data Loggers Plug-in Cards, Signal Conditioners, USB, RS232, RS485 and Parallel Port Data Acquisition Systems, Wireless Transmitters and Receivers

• Pressure, Strain and Force

Displacement Transducers, Dynamic Measurement Force Sensors, Instrumentation for Pressure and Strain Measurements, Load Cells, Pressure Gauges, Pressure Reference Section, Pressure Switches, Pressure Transducers, Proximity Transducers, Regulators, Strain Gages, Torque Transducers, Valves

• Heaters

Band Heaters, Cartridge Heaters, Circulation Heaters, Comfort Heaters, Controllers, Meters and Switching Devices, Flexible Heaters, General Test and Measurement Instruments, Heater Hook-up Wire, Heating Cable Systems, Immersion Heaters, Process Air and Duct, Heaters, Radiant Heaters, Strip Heaters, Tubular Heaters