

# VENT PLUG

## DA284 Series



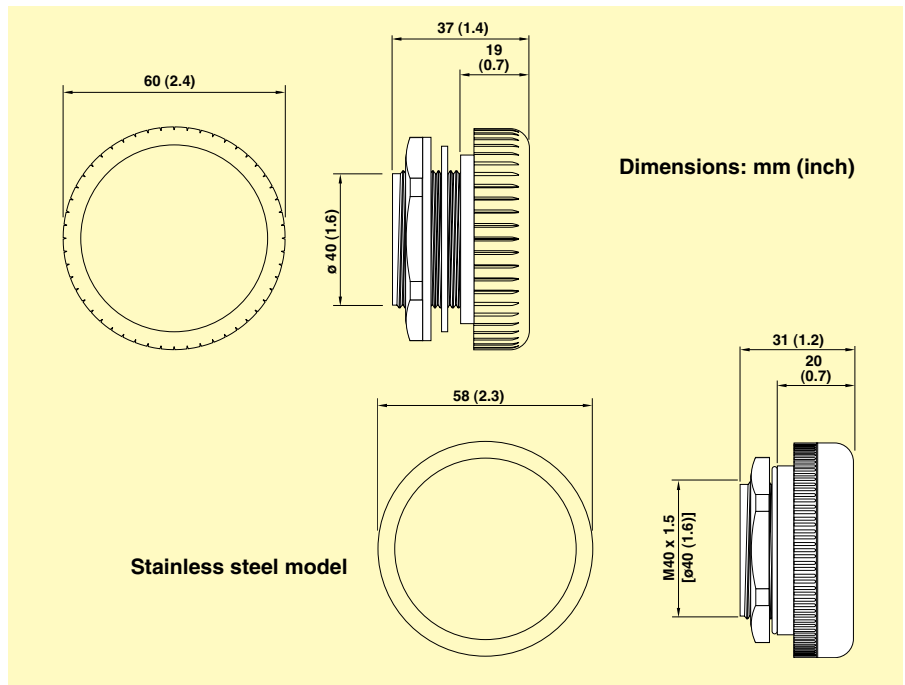
DA28405 shown actual size.



- High Degree of Protection
- Semipermeable Membrane
- Easy to Install
- Corrosion Resistant (SS Model)
- Food Safe (SS Model)

Pressure differentials in enclosures with a high degree of protection with respect to humidity and dust are a result of inside and outside temperature fluctuations. In case of negative pressure or vacuum, dust and humidity can be absorbed through the door seal and can enter the enclosure. As the humidity cannot exit the enclosure condensation may occur. The easy to install pressure compensation device DA284 provides the compensation of pressure at a protection degree of IP66. A semipermeable membrane inside the plug allows air and humidity to leave the enclosure. In the opposite direction, it only allows dry air into the enclosure while humidity and dust from the outside are blocked by the membrane.

**Installation:** Make cut-out  $\varnothing 40.5 + 0.5 \text{ mm}$  ( $1.6 + 0.02$ ") in enclosure wall and mount pressure compensation device with nut. Please make sure that the sealing gasket is put in place on the outer side panel of the enclosure. For optimal pressure compensation we recommend to use two devices on opposite sides towards the top of the enclosure.



## SPECIFICATIONS

**Mounting Thread:** M40 x 1.5 with nut

**Depth in Enclosure:** Approx. 16 mm (0.63") [SS model 9 mm (0.35")]

**Material:** Plastic, light gray (SS model V2A- DIN 1.4404/AISI 316L)

**Sealing:** Sealing gasket NBR

**Filter:** Semipermeable membrane

**Air Permeability:** 1200l/h at a pressure difference of min. 70 mbar

**Dimensions:**  $\varnothing 60 \times 37 \text{ mm}$  ( $2.4 \times 1.5$ ")  
**SS Model:**  $\varnothing 58 \times 31 \text{ mm}$  ( $2.3 \times 1.2$ ")

**Fitting Position:** Variable

**Operating/Storage Temperature:**  
 $-45 \text{ to } 70^\circ\text{C}$  ( $-49 \text{ to } 158^\circ\text{F}$ )

## To Order

MODEL NO.	PROTECTION TYPE	1 PACKING UNIT	WEIGHT
DA28405	IP66 (EN 60529)/IPX9K (EN 40050-9) ABS plastic	2 pcs	90 g (45 g/piece)
DA28401	IP66 (EN60529)/IPX9K (EN 40050-9) stainless steel	1 pc	160 g

Comes with operator's manual.

**Ordering Example:** DA28405, IP66 (EN 60529)/IPX9K (EN 40050-9).