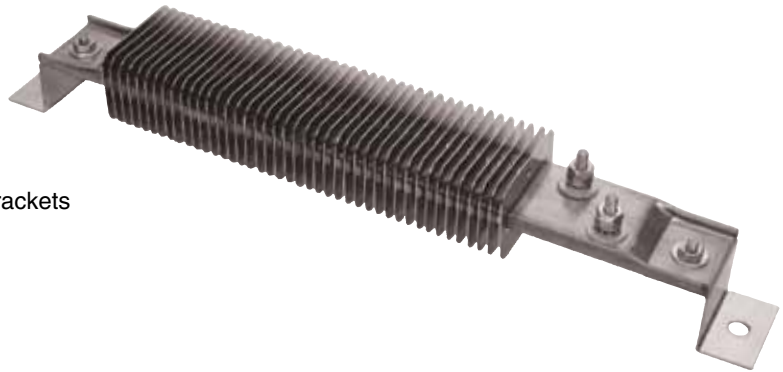


Ceramic Insulated Finned Channel Strip Enclosure Heaters

EHF Series

- 10-32 offset screw terminals (T4 style) standard, other terminations available
- UL recognized component
- Stainless steel sheath and fins
- Easy installation with special enclosure mounting brackets
- Rugged, Durable Construction
- Stainless Steel Sheath
- Nickel-Plated Steel Fins (Stainless Steel Optional)
- Various Terminations
- Trouble-Free Installation
- Various Sizes in Stock

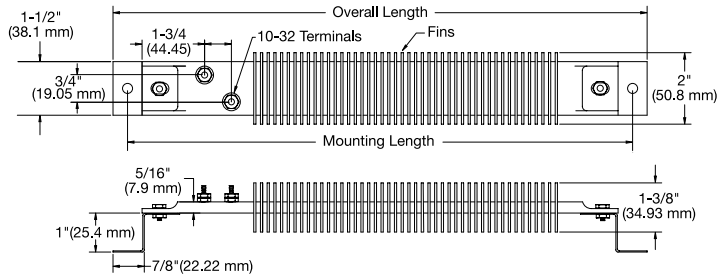


Typical Applications

- Duct Heating
- Space Heaters
- Drying Ovens
- Food Warmers
- Dehumidifier
- Shrinking Tunnels
- Air Heating
- Heat Curing

OMEGA® finned strip heaters are extremely efficient and dependable as a heat source for hundreds of industrial and commercial applications. They are used for both forced (mounted in a duct) and natural convection air heating (mounted at the bottom of cabinet type ovens).

The finned strip heater's basic design consists of a helically wound resistance coil placed in a specially designed ceramic insulator. The resistance coil is mechanically connected to the screw terminal for positive connection. Stainless steel rectangular tubing is used to house the heater assembly. All remaining voids are filled with high purity magnesium oxide to increase thermal conductivity and dielectric strength.



Nickel-plated steel fins (stainless steel optional) are mounted to the rectangular tubing. The fins have been specially designed to provide maximum surface contact for good heat dissipation into the finned cross sections, thus resulting in rapid heat transfer to the air.

OMEGA finned strip heaters are manufactured in a full line of standard sizes, electrical ratings and terminations, or can be made to your specifications.

Specifications and Tolerances

If tighter tolerances are required consult OMEGA.

Performance Ratings

Maximum Sheath Temperature: 650°C (1200°F)

Maximum Watt Density:

Still Air	Max Watt/cm ²	Max Watt/in ²
Up to 149°C (300°F)	3.1	20
149 to 316°C (300 to 600°F)	2.5	16
316 to 427°C (600 to 800°F)	1.6	10
Moving Air	Max Watt/cm ²	Max Watt/in ²
At 3 m/sec, up to 93°C (600'/minute, up to 200°F)	6.2	40
At 3 m/sec, up to 204°C (600'/minute, up to 400°F)	4.7	30
At 3 m/sec, up to 316°C (600'/minute, up to 600°F)	3.1	20

Electrical Specifications

Maximum Voltage: 480 Vac (when applicable)

Maximum Amperage: 25 A

Resistance Tolerance: 10%, -5%

Wattage Tolerance: 5%, -10%

Material Specifications and Physical Sizes

Sheath: 304 stainless steel

Fins: Nickel plated steel (stainless steel optional)

Screw Terminals: Stainless steel 10-32 UNF threads

Width Including Fins: 51 mm (2")

Height Including Fins: 35 mm (1 3/8")

Length Tolerance: Up to 0.61 m (24") ±1/16", over 0.61 m (24") ±1/8"

Mounting Slot Size: Standard 8 x 13 mm (5/16 x 1/2")

Slot Size For Secondary Insulating Bushing: 13 x 16 mm (1/2 x 5/8") for 300V and above

Secondary Insulating Bushings

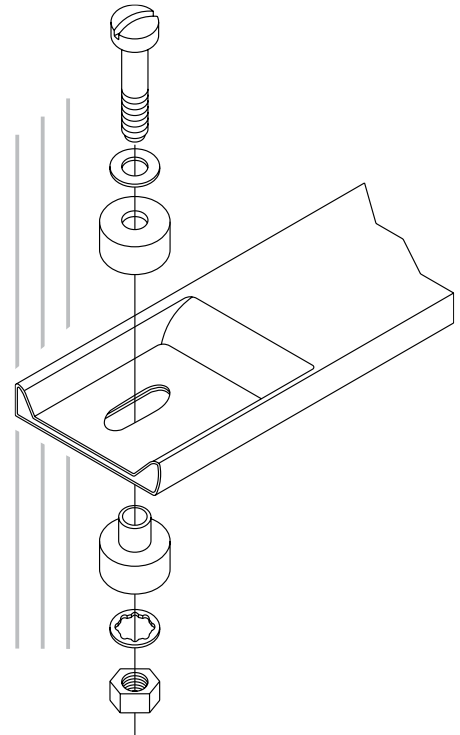
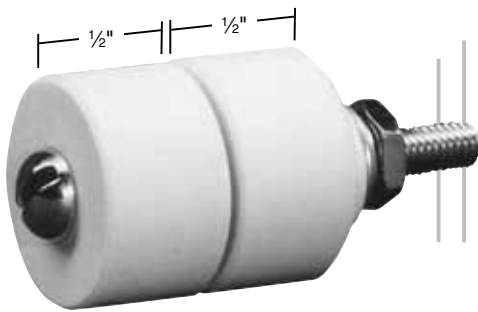
Secondary insulating ceramic bushings increase the effective space between the heater and grounded surface for electrical clearance at high voltages. They must be used on the mounting tabs when the finned heater is connected in series or in direct line voltage above 300V.

When insulating bushings are required, a 13 x 16 ($\frac{1}{2} \times \frac{5}{8}$) slot is substituted for the standard slot size 8 x 13 mm ($\frac{5}{16} \times \frac{1}{2}$).

Insulating Bushing Assembly

Model Number: CERR-1001

Note: Two assemblies are required for each heater.



CAUTION: When using secondary insulating bushings, the heater must be guarded to avoid any accidental contact. The guard must be electrically isolated from the heater and must be properly grounded.

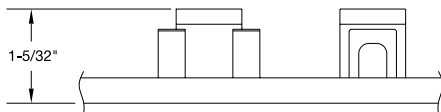
Ceramic Covers for Insulating Screw Terminals

Igloo™ Ceramic Covers

Igloo ceramic terminal covers consist of two individual ceramic parts. With a tight-fitting cap and a solid base, an Igloo cover will fully insulate any standard 10-32 terminal lug used for electrical wiring hookups.

Igloo covers can be assembled on all channel strip and finned strip heaters with Type T1 and Type T4 screw terminals. Mica strip heaters with screw terminals that have a minimum center to center distance of 22 mm ($\frac{7}{8}$ ") can also be assembled with Igloo covers.

Three different types of Igloo bases are available for your wiring convenience. Double port in-line, double port 90° and single port.



Type C6
Double Port In-Line
Model Number:
CER-101-104



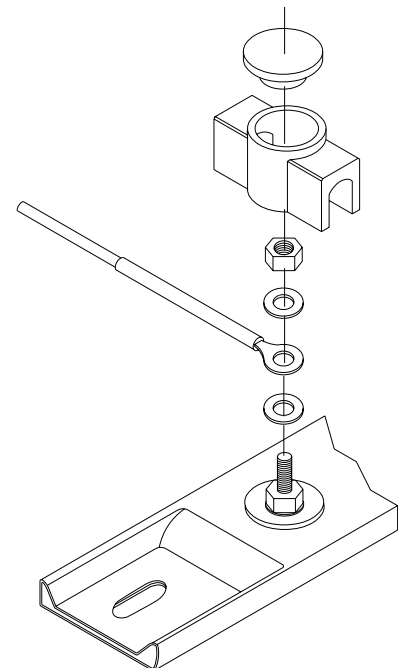
Type C7
Double Port 90°
Model Number:
CER-101-106



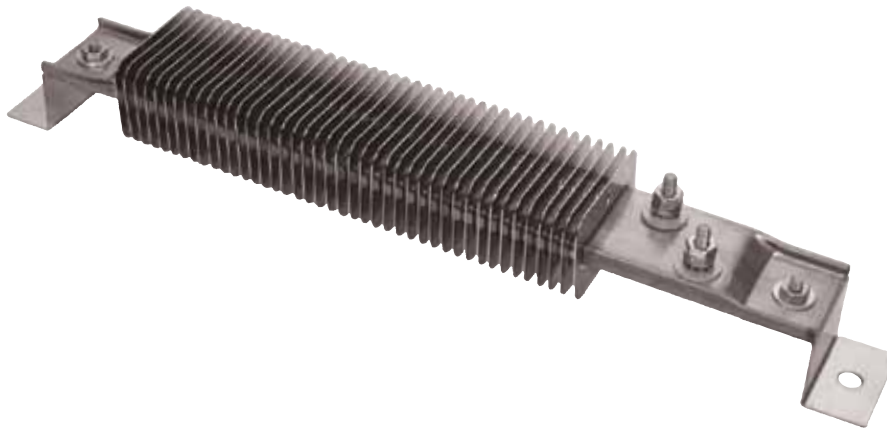
Type C8
Single Port
Model Number:
CER-101-107



Ceramic Cap
Thread 10-32
Model Number:
CER-102-101



Finned Strip Heaters—T3 Termination



To Order Visit omega.com/ehf for Pricing and Details				
Model No.		Overall Length	Mounting Dimension	Watts
120V	240V			
EHF00001	EHF00002	12.125	11.375	200
EHF00003	EHF00004	15.625	14.875	350
EHF00005	EHF00006	19.5	18.75	450
EHF00007	EHF00008	25.375	24.625	700

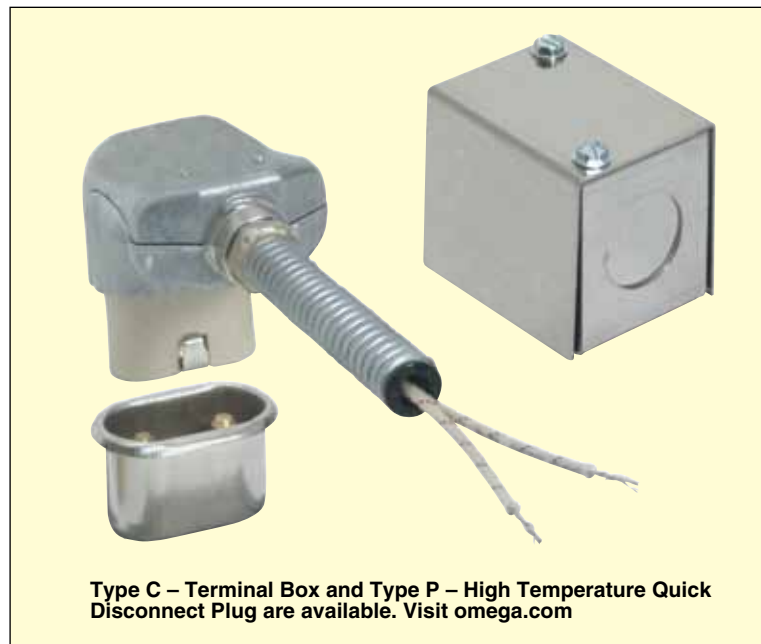
Ordering Example: EHF00001, 200 watt, 120 Vac, finned strip enclosure heater.

Custom Engineered/Manufactured Heaters

An electric heater can be very application specific; for sizes and ratings not listed, OMEGA will design and manufacture a finned strip heater to meet your requirements.

Please Specify the Following:

- Type of Application
- Termination Type
- Length
- Secondary Bushings (see page 2)
- Wattage
- Igloo™ Ceramic Terminal Covers
- Voltage



Type C – Terminal Box and Type P – High Temperature Quick Disconnect Plug are available. Visit omega.com