

# FILTER FAN

## FF018 Series



- Very Low Noise
- Minimal Depth in Enclosure
- Functional Design
- Time-Saving Installation

In addition to the easy mounting axial fan, the self-adhesive seal of the mounting frame prevents dust and water from entering the cabinet. The functional design of the intake fan hoods very effectively prevents direct infiltration of falling water and dust. The design also provides air channeling which makes the filter fan particularly quiet in operation.

### SPECIFICATIONS

**Free Blowing Air Flow:** 21 m<sup>3</sup>/h (12 cfm), 60 m<sup>3</sup>/h (35 cfm), 102 m<sup>3</sup>/h (55 cfm)

**Voltage:** 120 Vac, 60 Hz

**Environmental Ratings:** IP54/ UL

**Agency Approvals:** UL, Type 1

**Power Consumption:**

FF0180180: 13 W

FF0180181, FF0180182: 15 W

**Air Flow with Exit Filter:** 16 m<sup>3</sup>/h (9 cfm), 42 m<sup>3</sup>/h (24 cfm), 68 m<sup>3</sup>/h (40 cfm)

**Current Consumption:**

FF0180180: 160 mA

FF0180181, FF0180182: 180 mA

**Average Noise level at 0.9 m (3')** (DIN EN ISO 4871):

FF0180180: 31 dB (A)

FF0180181: 40 dB (A)

FF0180182: 39 dB (A)

**Weight:**

FF0180180: 0.6 kg (1.3 lb)

FF0180181: 1.0 kg (2.2 lb)

FF0180182: 1.3 kg (2.9 lb)

**Filter Fan Housing:** Plastic, UL 94V-0, light gray

**Filter Fan Hood:** Plastic, UL 94V-0, light gray, weather proof and UV light resistant according to UL 746C (f1)

**Filter Mat:** Medium grade 350 g/m<sup>2</sup>, filtering degree 94% for particle Ø >10 µm, G4 (EN 779)



FF0180180, shown smaller than actual size.

**Filter Material:** Synthetic fiber with progressive construction, temperature resistant to 100°C (212°F), self-extinguishing class F1. Moisture resistant to 100% RH. Can be cleaned by washing or vacuuming for reuse. Replacement filter mats available on request.

**Axial Fan:** Ball bearing, aluminum frame, plastic impeller UL 94V-0, operational life min 50,000 hrs at 25°C (77°F) (RH 65%)

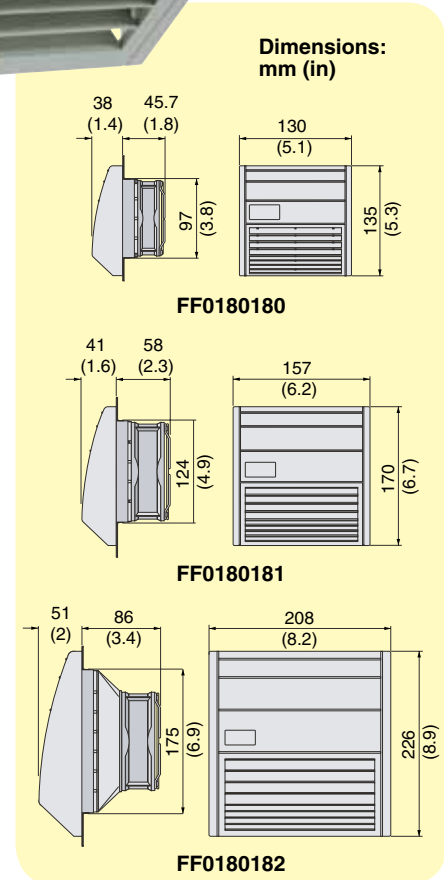
**Operating Temperature (Wiring):** -45 to 70°C (-49 to 158°F), 2 lead wires 102 mm (4") long with pressure clamps, type AWG 14 max

**Mounting Frame:** With double sided industrial adhesive band for affixing to the outside of enclosure; certain operating circumstances may make the additional use of screws necessary

**Operating/Storage Temperature:** -20 to 70°C (-4 to 158°F)

**Protection Type:** IP54/UL Type 1 (using fine filter mat type F5 increases the protection type to IP55/UL Type 12 but reduces the air volume)

**Protection Class:** I (grounded)



### To Order

MODEL NO.	DESCRIPTION
FF0180180	Standard filter fan, 24 m <sup>3</sup> /h (14 cfm)
FF0180181	Standard filter fan, 63 m <sup>3</sup> /h (37 cfm)
FF0180182	Standard filter fan, 117 m <sup>3</sup> /h (69 cfm)
EF11811800000	Exhaust filter/encl. 3.8 x 3.8" for FF0180180
EF11811801000	Exhaust filter 4.92 x 4.92" for FF0180181
EF11811802000	Exhaust filter 6.93 x 6.93" for FF0180182

Comes complete with operator's manual.

**Ordering Examples:** FF0180180, filter fan, 24 m<sup>3</sup>/h (14 cfm).

FF0180182, filter fan, 117 m<sup>3</sup>/h (69 cfm).