

TAMPERPROOF THERMOSTAT

FT011 and FTDO11 Series



- Fixed Setpoint
- Compact Design
- Color Coded Modules
- DIN Rail Mountable
- Two Thermostats in One Unit for the Dual Models: One Normally Closed (NC) and One Normally Open (NO) or Two Normally Open (NO)



FT01160000 and FTDO1161002 shown larger than actual size.



Specifications are subject to change without notice. Suitability of this product for its intended use and any associated risks must be determined by the end customer/buyer in its final application.

Normally Closed:

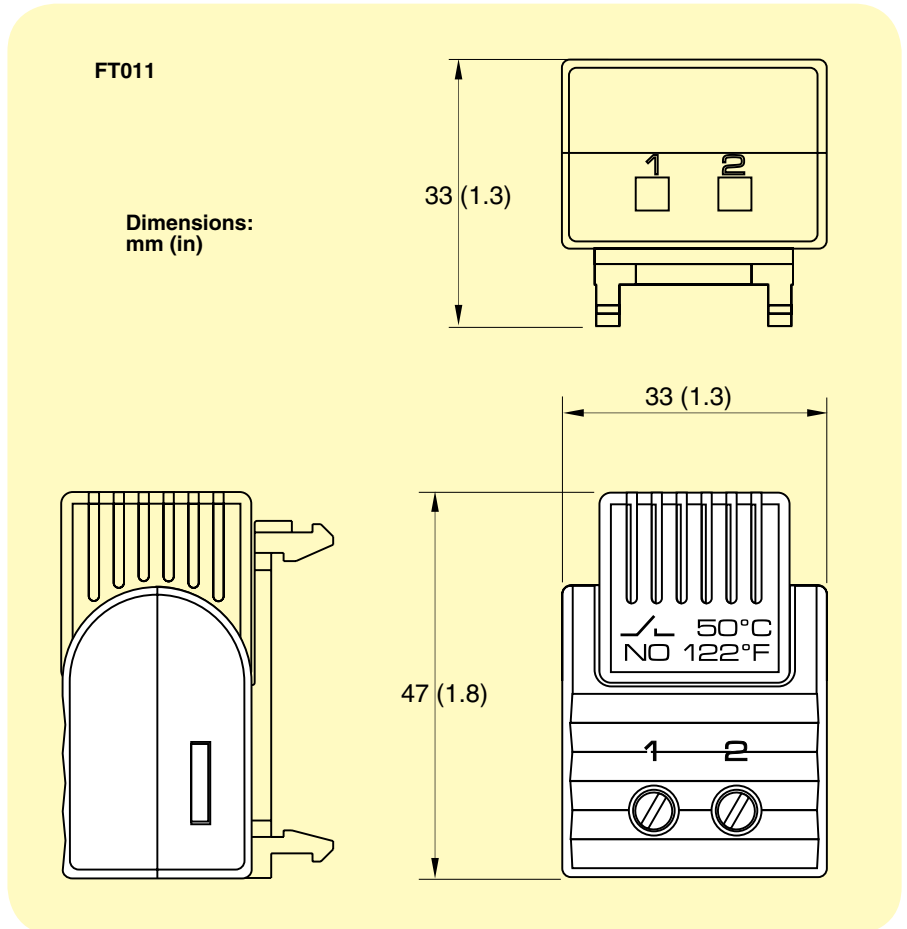
Thermostat opens at temperature rise. Comes with a red module.

Normally Open:

Thermostat closes at temperature rise. Comes with a blue module.

SPECIFICATIONS

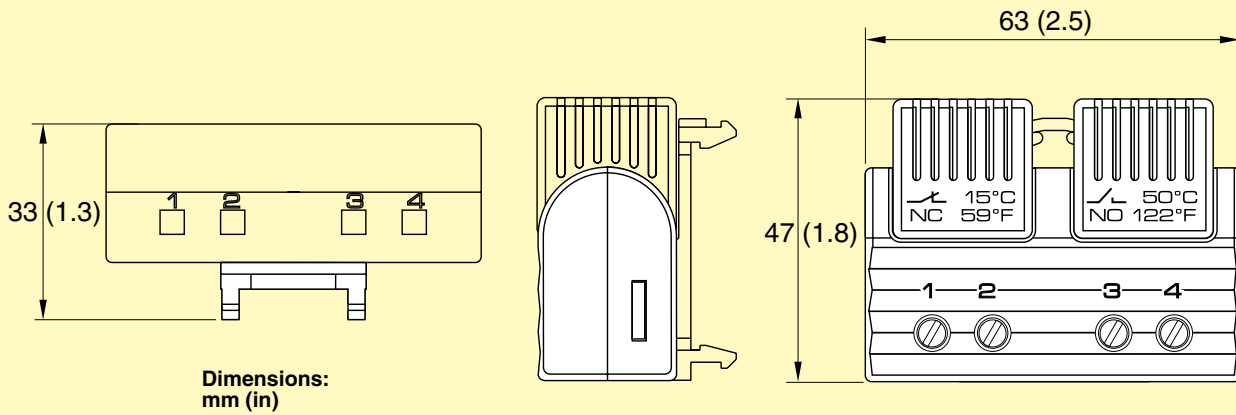
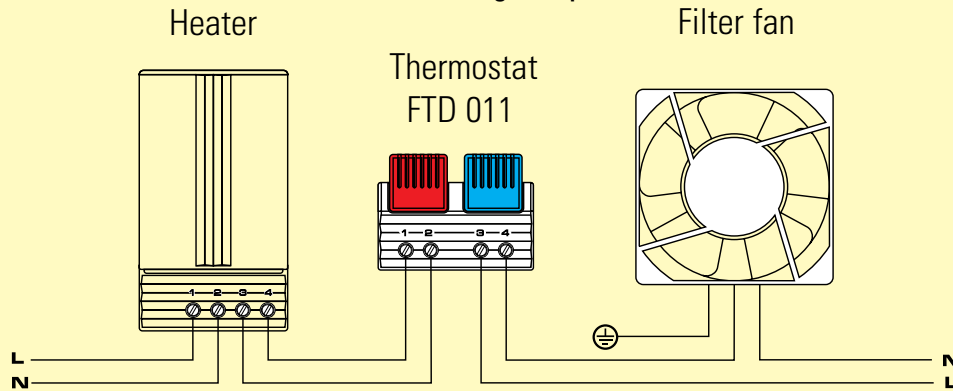
Sensor Element: Thermostatic bi-metal
Maximum Tolerance: $\pm 5.4^{\circ}\text{F}$ (3K)
Contact Resistance: $< 20 \text{ m}\Omega$
Service Life: $> 100,000$ cycles
Service Life: 5 A resistive/1.6 A inductive @ 240 Vac; DC 30 W
Minimum Load: 20 mA (all voltages)
Connections: 2-pole terminal for AWG 14 max [2.5 mm² (0.1 in²)] 4-pole terminal for the dual model AWG 14
Mounting: Clip for 35 mm (1.4") DIN rail (EN 50022)
Dimensions: 47 H x 33 W x 33 mm D (1.85 x 1.3 x 1.3")
Housing: Plastic, UL94V-0
Weight: 23 g (0.8 oz), dual 40 g (14.1 oz)
Protection Type: NEMA 2 (IP20)
Operating Temperature: -40 to 70°C (-40 to 158°F)
Storage Temperature: -45 to 80°C (-49 to 176°F)





FT01163000, dual thermostat fixed point shown larger than actual size.

FTD011 Wiring Examples



To Order

MODEL NO.	DESCRIPTION
FT01160000	Thermostat, fixed point, NC, 15°C (59°F) open/5°C (41°F) close
FT01160001	Thermostat, fixed point, NC, 25°C (77°F) open/15°C (59°F) close
FT01161002	Thermostat, fixed point, NO, 35°C (95°F) close/25°C (77°F) open
FTD01163000	Dual thermostat, fixed point, NC 15°C (59°F) open/5°C (41°F) close, NO 50°C (122°F) close/40°C (104°F) open

Comes complete with operator's manual.

Ordering Examples: FT01160000, thermostat, fixed point, NC, 15°C (59°F) open/5°C (41°F) close. FT01160001, thermostat, fixed point.