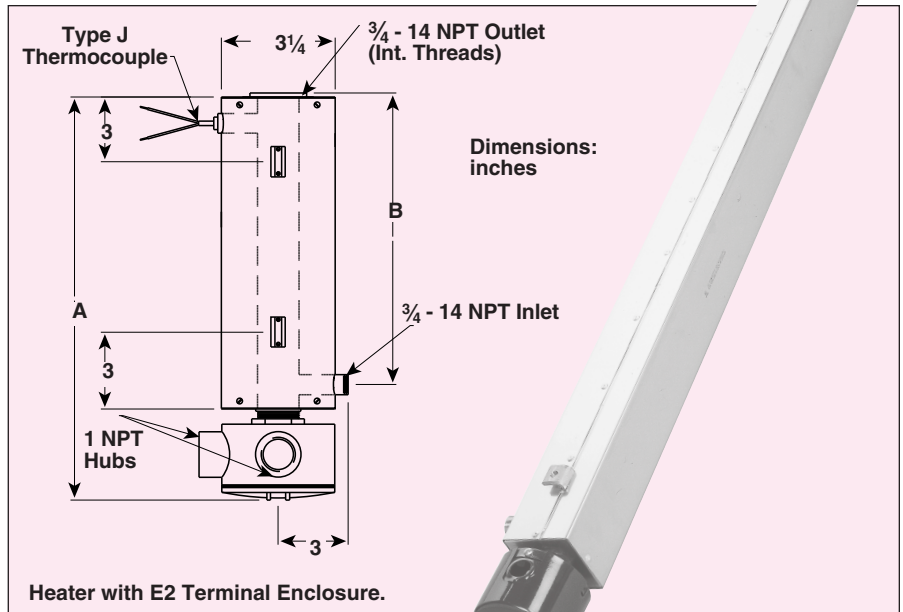


SMALL CAPACITY/LOW FLOW GAS APPLICATIONS

GHCIS Series
Starts at
\$2400

- ✓ Cartridge Heater Design
- ✓ Stainless Steel Pipe Body
- ✓ 0.5 to 3 kW
- ✓ 120 and 240V, Single Phase
- ✓ INCOLOY® Sheath Elements (37 W/in²)
- ✓ General Purpose or Moisture Resistant/Explosion Resistant Terminal Enclosure
- ✓ Internal Overtemperature Protection (Type K T/C)
- ✓ Process Temperature Sensor in Outlet (Type J T/C)



**MOST POPULAR
ITEMS HIGHLIGHTED**

APPLICATIONS

Gas: Designed to efficiently heat gases, particularly at low-flow rates and relatively high temperatures. (Outlet temperatures to 600°F.)

FEATURES

Terminal Enclosure: Available with E1 General Purpose or E2 Moisture Resistant/Explosion Resistant.

Cartridge Heater Element: INCOLOY sheath and spiral wound baffle for efficient heat transfer.

Vessel: Stainless Steel (304) construction of all wetted parts.

Thermal Insulation: High temperature pipe insulation inside protective outer jacket.

Process Control: Accurate process control using a Type J thermocouple located in the heater outlet.

High Limit Sensor: Integral overtemperature protection using a Type K thermocouple located inside the cartridge heating element sheath.

Installation: Compact rugged design permits easy installation.

To Order (Specify Model Number)

kW	Volts	Ckt & Phase	Dimensions (In.)		Model No.	Price	Wt. (lb)
			A	B			
1 inch, 304 stainless steel pipe body — 1 INCOLOY cartridge element (37 W/in ²) E1 terminal enclosure							
0.5	120	1-1	14	8	GCHCIS-01-0P50-E1/120	\$2750	3
0.5	240	1-1	14	8	GCHCIS-01-0P50-E1/240	2750	3
1	120	1-1	20	14	GCHCIS-01-001P-E1/120	2400	3
1	240	1-1	20	14	GCHCIS-01-001P-E1/240	2400	3
2	120	1-1	32	26	GCHCIS-01-002P-E1/120	3575	4
2	240	1-1	32	26	GCHCIS-01-002P-E1/240	3575	4
3	240	1-1	44	38	GCHCIS-01-003P-E1/240	4250	4

- Order electronic controls separately for remote mounting. Consult controls section for details.
- Special voltage and wattage ratings available.

Ordering Example: GCHCIS-01-001P-E1/120, 1 kW, 120V heater, \$2400.

Ordering Information

To Order — Complete the Model Number using the Matrix provided.

Model	Small Capacity/Low Flow Gas			
GCH	Gas Circulation Heater			
C	Cartridge Element			
IS	INCOLOY Sheath — Stainless Steel Vessel			
Code	Number of Elements			
01	One			
Code	Watts			
OP50	500	002P	2,000	
001P	1,000	003P	3,000	
Code	Terminal Enclosure			
E1	General Purpose			
E2	Moisture Resistant/Explosion Resistant			
GCHCIS	01	OP50	E1	Typical Model Number



UNITED STATES

www.omega.com
1-800-TC-OMEGA
Stamford, CT.

CANADA

www.omega.ca
Laval(Quebec)
1-800-TC-OMEGA

GERMANY

www.omega.de
Deckenpfronn, Germany
0800-8266342

UNITED KINGDOM

www.omega.co.uk
Manchester, England
0800-488-488

FRANCE

www.omega.fr
Guyancourt, France
088-466-342

CZECH REPUBLIC

www.omegaeng.cz
Karviná, Czech Republic
596-311-899

BENELUX

www.omega.nl
Amstelveen, NL
0800-099-33-44



More than 100,000 Products Available!

• Temperature

Calibrators, Connectors, General Test and Measurement Instruments, Glass Bulb Thermometers, Handheld Instruments for Temperature Measurement, Ice Point References, Indicating Labels, Crayons, Cements and Lacquers, Infrared Temperature Measurement Instruments, Recorders Relative Humidity Measurement Instruments, RTD Probes, Elements and Assemblies, Temperature & Process Meters, Timers and Counters, Temperature and Process Controllers and Power Switching Devices, Thermistor Elements, Probes and Assemblies, Thermocouples Thermowells and Head and Well Assemblies, Transmitters, Wire

• Flow and Level

Air Velocity Indicators, Doppler Flowmeters, Level Measurement, Magnetic Flowmeters, Mass Flowmeters, Pitot Tubes, Pumps, Rotameters, Turbine and Paddle Wheel Flowmeters, Ultrasonic Flowmeters, Valves, Variable Area Flowmeters, Vortex Shedding Flowmeters

• pH and Conductivity

Conductivity Instrumentation, Dissolved Oxygen Instrumentation, Environmental Instrumentation, pH Electrodes and Instruments, Water and Soil Analysis Instrumentation

• Data Acquisition

Auto-Dialers and Alarm Monitoring Systems, Communication Products and Converters, Data Acquisition and Analysis Software, Data Loggers Plug-in Cards, Signal Conditioners, USB, RS232, RS485 and Parallel Port Data Acquisition Systems, Wireless Transmitters and Receivers

• Pressure, Strain and Force

Displacement Transducers, Dynamic Measurement Force Sensors, Instrumentation for Pressure and Strain Measurements, Load Cells, Pressure Gauges, Pressure Reference Section, Pressure Switches, Pressure Transducers, Proximity Transducers, Regulators, Strain Gages, Torque Transducers, Valves

• Heaters

Band Heaters, Cartridge Heaters, Circulation Heaters, Comfort Heaters, Controllers, Meters and Switching Devices, Flexible Heaters, General Test and Measurement Instruments, Heater Hook-up Wire, Heating Cable Systems, Immersion Heaters, Process Air and Duct, Heaters, Radiant Heaters, Strip Heaters, Tubular Heaters