

# OVER-THE-SIDE IMMERSION HEATERS

## For Drum Heating

KBLC/KBLS Series  
Starts at

**\$1100**



- ✓ Low Watt Density: 11 W/in<sup>2</sup>
- ✓ Moisture Resistant Terminal Enclosure
- ✓ Rugged Steel or Stainless Steel Sheathed Elements
- ✓ 2.2 and 4.4 kW, 240V, 1 Phase
- ✓ Built-in Thermostat on Most Models

### FEATURES

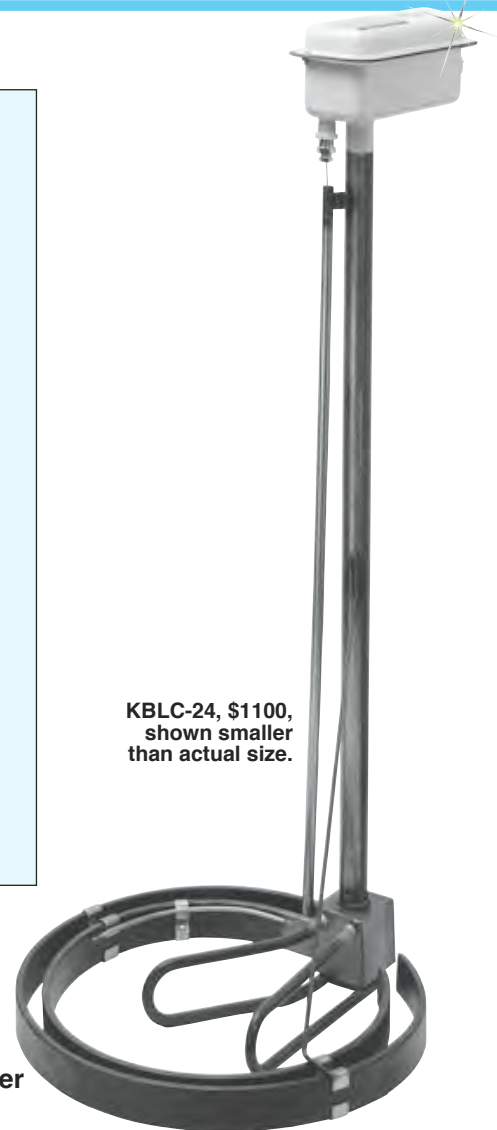
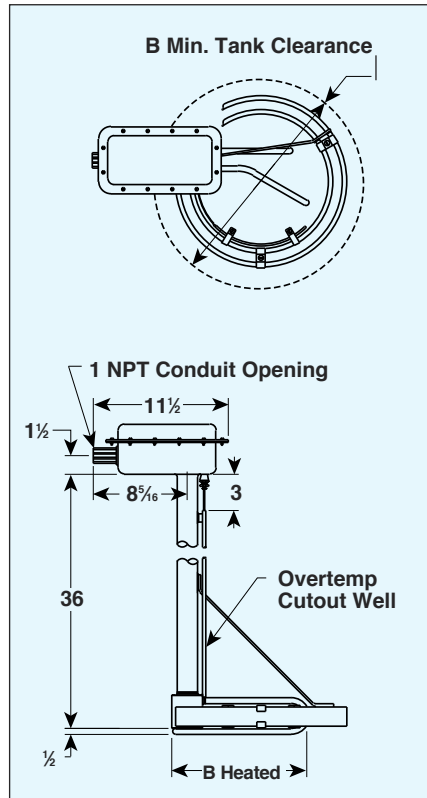
Light weight and easy to use. Heater is set atop the mass and then melts its way to the bottom.

Steel terminal housing protected by acid and heat resistant paint.

Standard with built-in controls on most models.

Three temperature ranges:

- ✓ T1 – 0 to 100°F
- ✓ T2 – 60 to 250°F
- ✓ T3 – 200 to 550°F



KBLC-24, \$1100, shown smaller than actual size.

### APPLICATIONS

- ✓ Melting Wax
- ✓ Melting Lard
- ✓ Melting Grease
- ✓ Melting Coconut Oil and Other Heat Sensitive Materials

**MOST POPULAR MODEL HIGHLIGHTED!**

### To Order (Specify Model Number)

kW	Volts	W/in <sup>2</sup>	Dimension In.		AR Thermostat Range °F	Model No.	Price	Wt. lb.
			Riser In. (A)	Min. Tank Clearance (B)				
<b>KBLC Series — Steel Sheath and Riser</b>								
2.2	240	11	36	12 3/4	—	<b>KBLC-24</b>	<b>\$1100</b>	14
2.2	240	11	36	12 3/4	60 to 250°F	KBLC-24T2	1450	14
2.2	240	11	36	12 3/4	200 to 550°F	KBLC-24T3	1450	14
4.4	240	11	36	17 3/4	—	<b>KBLC-28</b>	<b>\$1300</b>	18
4.4	240	11	36	17 3/4	60 to 250°F	KBLC-28T2	1650	18
4.4	240	11	36	17 3/4	200 to 550°F	KBLC-28T3	1650	18
<b>KBLS Series — Stainless Steel Sheath and Riser</b>								
2.2	240	11	36	12 3/4	—	<b>KBLS-244</b>	<b>\$1550</b>	14
2.2	240	11	36	12 3/4	0-100°F	KBLS-244T1	2050	14
2.2	240	11	36	12 3/4	60 to 250°F	KBLS-244T2	2050	14
2.2	240	11	36	12 3/4	200 to 550°F	KBLS-244T3	2050	14
4.4	240	11	36	17 3/4	—	<b>KBLS-288</b>	<b>\$1850</b>	18
4.4	240	11	36	17 3/4	0-100°F	KBLS-288T1	2350	18
4.4	240	11	36	17 3/4	60 to 250°F	KBLS-288T2	2350	18

Ordering Example: **KBLS-288T2**, stainless steel sheath and riser model, 4.4 kW, 240V powered with internal thermostat settable from 60 to 250°F, \$2350.

# OVER-THE-SIDE IMMERSION HEATERS

## For Salt Bath Heating



### TBL Series

- ✓ 3 to 7.5 kW
- ✓ 240 and 480V, 1 Phase
- ✓ Steel or Incoloy® Sheath
- ✓ 20 W/in<sup>2</sup>

### APPLICATIONS

- ✓ Primarily for use in salt baths.
- ✓ Available in other sheath materials and watt densities for most liquids and viscous materials. Contact OMEGALUX.

### FEATURES

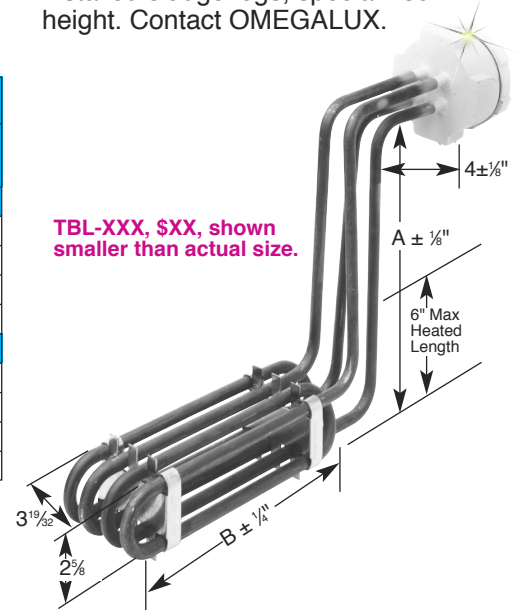
Vapor resistant cast iron terminal box for dependable service. **Optional features** include special voltage or wattage, 3/4" factory installed sludge legs, special riser height. Contact OMEGALUX.

**MOST POPULAR MODELS HIGHLIGHTED!**

To Order (Specify Model Number)							
kW	Phase	W/in <sup>2</sup>	Dimensions—Inches		Model No.	Price	Wt. lb.
			A	B			
<b>Steel Sheath Elements — 20 W/in<sup>2</sup></b>							
3	1	20	11 <sup>1</sup> / <sub>8</sub>	13 <sup>3</sup> / <sub>8</sub>	TBL-1301/*	\$1300	18
4.5	1	20	11 <sup>1</sup> / <sub>8</sub>	15	TBL-4501/*	1350	21
6	1	20	11 <sup>1</sup> / <sub>8</sub>	20 <sup>5</sup> / <sub>16</sub>	TBL-6001/*	1450	27
7.5	1	20	14 <sup>5</sup> / <sub>8</sub>	25 <sup>5</sup> / <sub>16</sub>	TBL-7501/*	1600	35
<b>Incoloy Sheath Elements — 20 W/in<sup>2</sup></b>							
3	1	20	11 <sup>1</sup> / <sub>8</sub>	13 <sup>3</sup> / <sub>8</sub>	TBL-A-131/*	\$1700	18
4.5	1	20	11 <sup>1</sup> / <sub>8</sub>	15	TBL-A-451/*	1750	21
6	1	20	11 <sup>1</sup> / <sub>8</sub>	20 <sup>5</sup> / <sub>16</sub>	TBL-A-601/*	2000	27
7.5	1	20	14 <sup>5</sup> / <sub>8</sub>	25 <sup>5</sup> / <sub>16</sub>	TBL-A-751/*	2150	35

\* Designate voltage, i.e. insert "240" for 240V or "480" for 480V.

Ordering Example: Model TBL-1301/240 is a 3 kW heater powered by 240 VAC, \$1300.



TBL-XXX, \$XX, shown smaller than actual size.

## For Deep Tank Heating

- BLCS Series with Straight Blades
- BLCK-MH Series with Circular Blades
- ✓ 7.5 to 24 kW
- ✓ 240 & 480V, 1 or 3 Phase

### APPLICATIONS

- ✓ Underground Tanks
- ✓ Railroad Tank Cars
- ✓ Oil
- ✓ Asphalt
- ✓ High Viscosity Fluids

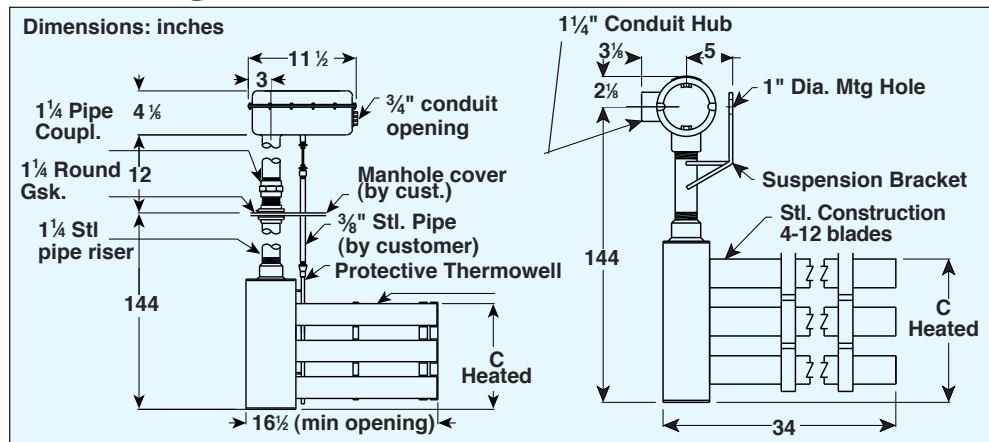
### FEATURES

Integral thermostat on BLCK-MH, 50-250°F, inside weather resistant steel terminal box

4 to 12 Circular blades on BLCK-MH permit entry into tanks with 16<sup>1</sup>/<sub>2</sub>" diameter opening. Split riser adapts to manhole covers.

4 to 12 Circular blades on BLCS require manhole access that will accept 34" blade length. One-piece riser.

1<sup>1</sup>/<sub>4</sub> inch steel pipe riser, 12 ft. std. length



kW	Dimensions		With Circular Blades		With Straight Blades		Wt. lb.
	A (ft.)	C (in)	Model No.	Price	Model No.	Price	
<b>Regular Oil — 18 W/in<sup>2</sup></b>							
12	12	8 <sup>7</sup> / <sub>8</sub>	BLCK-MH618/240/*	\$4950	BLCS-618/240/*	\$4150	42
12	12	8 <sup>7</sup> / <sub>8</sub>	BLCK-MH618/480/*	4950	BLCS-618/480/*	4150	42
16	12	12	BLCK-MH824/240/*	5700	BLCS-824/240/*	4650	55
16	12	12	BLCK-MH824/480/*	5700	BLCS-824/480/*	4650	55
20	12	15 <sup>1</sup> / <sub>8</sub>	BLCK-MH1030/240/3P	6450	BLCS-1030/240/3P	5250	75
20	12	15 <sup>1</sup> / <sub>8</sub>	BLCK-MH1030/480/*	6450	BLCS-1030/480/*	5250	75
24	12	18 <sup>1</sup> / <sub>4</sub>	BLCK-MH1236/240/3P	7150	BLCS-1236/240/3P	5950	90

\* Designates phase, i.e. insert 1 for 1 phase or 3 for 3 phase. Model numbers including phase are only available in that phase.

Note: BLCS and BLCK-MH Series heaters are also available for fuel oil with a watt density of 12 W/in<sup>2</sup>. Contact OMEGALUX for details.

Ordering Example: BLCK-MH618/240/3P, 12 kW heater powered by 3 phase 240 Vac, \$4950.



#### UNITED STATES

[www.omega.com](http://www.omega.com)  
1-800-TC-OMEGA  
Stamford, CT.

#### CANADA

[www.omega.ca](http://www.omega.ca)  
Laval(Quebec)  
1-800-TC-OMEGA

#### GERMANY

[www.omega.de](http://www.omega.de)  
Deckenpfronn, Germany  
0800-8266342

#### UNITED KINGDOM

[www.omega.co.uk](http://www.omega.co.uk)  
Manchester, England  
0800-488-488

#### FRANCE

[www.omega.fr](http://www.omega.fr)  
Guyancourt, France  
088-466-342

#### CZECH REPUBLIC

[www.omegaeng.cz](http://www.omegaeng.cz)  
Karviná, Czech Republic  
596-311-899

#### BENELUX

[www.omega.nl](http://www.omega.nl)  
Amstelveen, NL  
0800-099-33-44



## More than 100,000 Products Available!

### • Temperature

Calibrators, Connectors, General Test and Measurement Instruments, Glass Bulb Thermometers, Handheld Instruments for Temperature Measurement, Ice Point References, Indicating Labels, Crayons, Cements and Lacquers, Infrared Temperature Measurement Instruments, Recorders Relative Humidity Measurement Instruments, RTD Probes, Elements and Assemblies, Temperature & Process Meters, Timers and Counters, Temperature and Process Controllers and Power Switching Devices, Thermistor Elements, Probes and Assemblies, Thermocouples Thermowells and Head and Well Assemblies, Transmitters, Wire

### • Flow and Level

Air Velocity Indicators, Doppler Flowmeters, Level Measurement, Magnetic Flowmeters, Mass Flowmeters, Pitot Tubes, Pumps, Rotameters, Turbine and Paddle Wheel Flowmeters, Ultrasonic Flowmeters, Valves, Variable Area Flowmeters, Vortex Shedding Flowmeters

### • pH and Conductivity

Conductivity Instrumentation, Dissolved Oxygen Instrumentation, Environmental Instrumentation, pH Electrodes and Instruments, Water and Soil Analysis Instrumentation

### • Data Acquisition

Auto-Dialers and Alarm Monitoring Systems, Communication Products and Converters, Data Acquisition and Analysis Software, Data Loggers Plug-in Cards, Signal Conditioners, USB, RS232, RS485 and Parallel Port Data Acquisition Systems, Wireless Transmitters and Receivers

### • Pressure, Strain and Force

Displacement Transducers, Dynamic Measurement Force Sensors, Instrumentation for Pressure and Strain Measurements, Load Cells, Pressure Gauges, Pressure Reference Section, Pressure Switches, Pressure Transducers, Proximity Transducers, Regulators, Strain Gages, Torque Transducers, Valves

### • Heaters

Band Heaters, Cartridge Heaters, Circulation Heaters, Comfort Heaters, Controllers, Meters and Switching Devices, Flexible Heaters, General Test and Measurement Instruments, Heater Hook-up Wire, Heating Cable Systems, Immersion Heaters, Process Air and Duct, Heaters, Radiant Heaters, Strip Heaters, Tubular Heaters