

HEAVY DUTY WALL OR CEILING MOUNT HORIZONTAL UNIT HEATER

LUH Series



- ✓ 2.6 to 45 kW
- ✓ 208, 240, 277, 480V
1 and 3 Phase
- ✓ 8,900 to 153,600 BTU/Hr
- ✓ Meets UL, NEC and OSHA Requirements
- ✓ No Venting Necessary
- ✓ Built-In Power Controls

CAUTION AND WARNING!

Fire and electrical shock may result if products are used improperly or installed or used by non-qualified personnel. See inside back cover for additional warnings.



LUH-02-71-35 shown smaller than actual size.

To Order

| Model No. | Electrical (60 Hz) | | | | Motor | | | Air Delivery | | | | | Wt lb | |
|--------------|--------------------|---------|------------------|-------------------|-------|-------|------|--------------|------|------|----------------|-----------------|-------|------------------------------|
| | kW | Volts | Ckt and Phase | Amps ³ | Volts | Phase | HP | RPM | CFM | FPM | Temp Rise (°F) | Horz Throw (ft) | | Mtg ⁴ Height (ft) |
| LUH-02-81-34 | 2.6 | 208 | 1-1 | 13.1 | 208 | 1 | 1/50 | 1000 | 310 | 700 | 27 | 12 | 8 | 32 |
| LUH-02-21-34 | 2.0/2.6 | 208/240 | 1-1 | 11.4 ¹ | 240 | 1 | 1/50 | 1000 | 310 | 700 | 27 | 12 | 8 | 32 |
| LUH-02-71-35 | 2.6 | 277 | 1-1 | 9.6 | 277 | 1 | 1/50 | 1000 | 310 | 700 | 27 | 12 | 8 | 32 |
| LUH-04-81-34 | 4 | 208 | 1-1 | 19.8 | 208 | 1 | 1/50 | 1000 | 310 | 700 | 42 | 12 | 8 | 32 |
| LUH-04-83-34 | 4 | 208 | 1-3 ² | 11.7 ¹ | 208 | 1 | 1/50 | 1000 | 310 | 700 | 42 | 12 | 8 | 32 |
| LUH-04-21-34 | 3/4 | 208/240 | 1-1 | 17.2 ¹ | 240 | 1 | 1/50 | 1000 | 310 | 700 | 42 | 12 | 8 | 32 |
| LUH-04-23-34 | 3/4 | 208/240 | 1-3 ² | 10.2 | 240 | 1 | 1/50 | 1000 | 310 | 700 | 42 | 12 | 8 | 32 |
| LUH-04-71-35 | 4 | 277 | 1-1 | 14.6 | 277 | 1 | 1/50 | 1000 | 310 | 700 | 42 | 12 | 8 | 32 |
| LUH-04-43-32 | 4 | 480 | 1-3 | 5.1 | 480 | 1 | 1/50 | 1000 | 310 | 700 | 42 | 12 | 8 | 32 |
| LUH-05-81-34 | 5 | 208 | 1-1 | 24.6 | 208 | 1 | 1/50 | 1050 | 420 | 950 | 42 | 18 | 8 | 32 |
| LUH-05-83-34 | 5 | 208 | 1-3 ² | 14.5 | 208 | 1 | 1/50 | 1050 | 420 | 950 | 42 | 18 | 8 | 32 |
| LUH-05-21-34 | 3.75/5 | 208/240 | 1-1 | 21.4 | 240 | 1 | 1/50 | 1050 | 420 | 950 | 42 | 18 | 8 | 32 |
| LUH-05-23-34 | 3.75/5 | 208/240 | 1-3 ² | 12.6 | 240 | 1 | 1/50 | 1050 | 420 | 950 | 42 | 18 | 8 | 32 |
| LUH-05-71-35 | 5 | 277 | 1-1 | 18.3 | 277 | 1 | 1/50 | 1050 | 420 | 950 | 42 | 18 | 8 | 32 |
| LUH-05-43-32 | 5 | 480 | 1-3 | 6.3 | 480 | 1 | 1/50 | 1050 | 420 | 950 | 42 | 18 | 8 | 32 |
| LUH-07-81-34 | 7.5 | 208 | 1-1 ² | 36.5 | 208 | 1 | 1/10 | 1550 | 670 | 850 | 40 | 20 | 8 | 50 |
| LUH-07-83-34 | 7.5 | 208 | 1-3 | 21.3 | 208 | 1 | 1/10 | 1550 | 670 | 850 | 40 | 20 | 8 | 50 |
| LUH-07-21-34 | 5.6/7.5 | 208/240 | 1-1 ² | 31.7 ¹ | 240 | 1 | 1/10 | 1550 | 670 | 850 | 40 | 20 | 8 | 50 |
| LUH-07-71-35 | 7.5 | 277 | 1-3 | 27.7 | 277 | 1 | 1/10 | 1550 | 670 | 850 | 40 | 20 | 8 | 50 |
| LUH-07-43-32 | 7.5 | 480 | 1-3 | 9.9 | 480 | 3 | 1/10 | 1550 | 670 | 850 | 40 | 20 | 8 | 50 |
| LUH-10-81-34 | 9.7 | 208 | 1-1 ² | 47.1 | 208 | 1 | 1/10 | 1550 | 750 | 950 | 47 | 27 | 9 | 50 |
| LUH-10-83-34 | 9.7 | 208 | 1-3 | 27.4 | 208 | 1 | 1/10 | 1550 | 750 | 950 | 47 | 27 | 9 | 50 |
| LUH-10-21-34 | 7.5/10 | 208/240 | 1-1 ² | 42.1 ¹ | 240 | 1 | 1/10 | 1550 | 750 | 950 | 47 | 27 | 9 | 50 |
| LUH-10-23-34 | 7.5/10 | 208/240 | 1-3 | 24.5 ¹ | 240 | 1 | 1/10 | 1550 | 750 | 950 | 47 | 27 | 9 | 50 |
| LUH-10-43-32 | 10 | 480 | 1-3 | 12.9 | 480 | 3 | 1/10 | 1550 | 750 | 950 | 47 | 27 | 9 | 50 |
| LUH-12-83-34 | 12.5 | 208 | 1-3 | 35.2 | 208 | 1 | 1/10 | 1550 | 750 | 950 | 55 | 27 | 9 | 50 |
| LUH-12-23-34 | 9.3/12.5 | 208/240 | 1-3 | 30.6 | 240 | 1 | 1/10 | 1550 | 750 | 950 | 55 | 27 | 9 | 50 |
| LUH-12-43-32 | 12.5 | 480 | 1-3 | 15.9 | 480 | 3 | 1/10 | 1550 | 750 | 950 | 55 | 27 | 9 | 50 |
| LUH-15-83-34 | 15 | 208 | 1-3 | 42.1 | 208 | 1 | 1/10 | 1550 | 750 | 950 | 61 | 27 | 10 | 50 |
| LUH-15-23-34 | 11.25/15 | 208/240 | 1-3 | 36.6 ¹ | 240 | 1 | 1/10 | 1550 | 750 | 950 | 61 | 27 | 10 | 50 |
| LUH-15-43-32 | 15 | 480 | 1-3 | 19.0 | 480 | 3 | 1/10 | 1550 | 750 | 950 | 61 | 27 | 10 | 50 |
| LUH-20-23-34 | 14.5/19.4 | 208/240 | 1-3 | 48.0 ¹ | 240 | 3 | 1/10 | 1550 | 1240 | 1160 | 53 | 31 | 11 | 73 |
| LUH-20-43-32 | 20 | 480 | 1-3 | 25.0 | 480 | 3 | 1/10 | 1550 | 1240 | 1160 | 53 | 31 | 11 | 73 |
| LUH-25-43-32 | 25 | 480 | 1-3 | 31.0 | 480 | 3 | 1/10 | 1550 | 1350 | 1260 | 60 | 31 | 12 | 73 |
| LUH-30-23-34 | 22.5/30 | 208/240 | 2-3 | 74.0 ¹ | 240 | 3 | 1/3 | 1725 | 1555 | 1450 | 64 | 46 | 13 | 106 |
| LUH-30-43-32 | 30 | 480 | 2-3 | 37.1 | 480 | 3 | 1/3 | 1725 | 1555 | 1450 | 64 | 46 | 13 | 106 |
| LUH-35-23-34 | 26.25/35 | 208/240 | 2-3 | 86.0 ¹ | 240 | 3 | 1/3 | 1725 | 1555 | 1450 | 71 | 45 | 14 | 106 |
| LUH-35-43-32 | 35 | 480 | 2-3 | 43.1 | 480 | 3 | 1/3 | 1725 | 1555 | 1450 | 71 | 45 | 14 | 106 |
| LUH-40-23-34 | 28.5/38 | 208/240 | 2-3 | 93.3 | 240 | 3 | 1/3 | 1725 | 1555 | 1450 | 84 | 44 | 15 | 106 |
| LUH-45-43-32 | 45 | 480 | 2-3 | 55.1 | 480 | 3 | 1/3 | 1725 | 1555 | 1450 | 94 | 42 | 17 | 106 |

Ordering Examples: LUH-07-83-34, 7.5 kW, 208V heater.

LUH-02-81-34, 2.6 kW, 208V heater.

1. 208V amperage is 86% of 240V value.

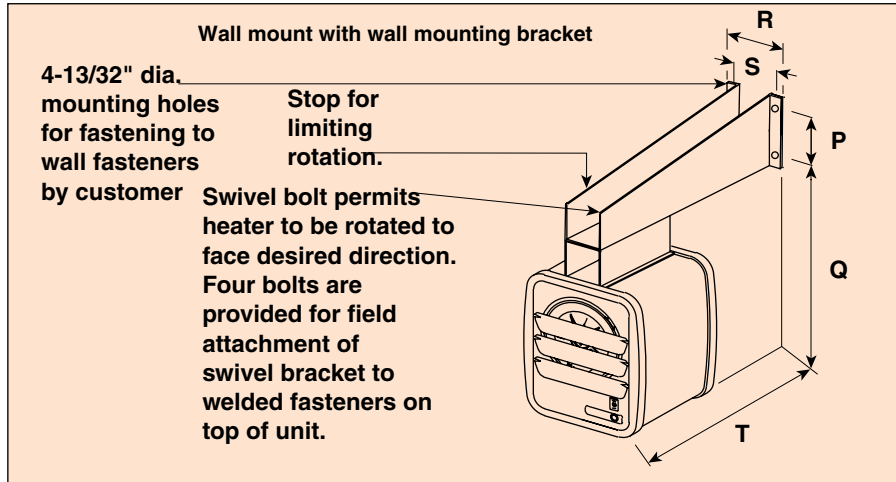
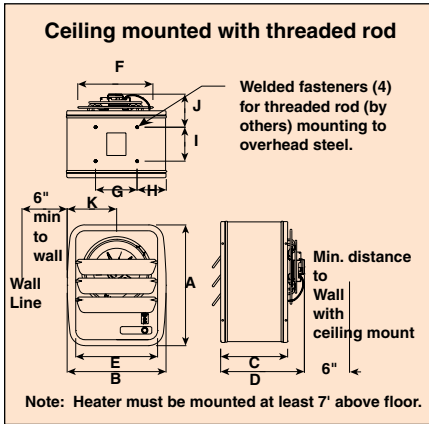
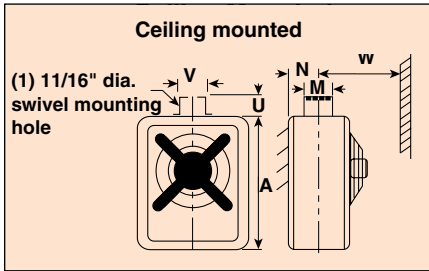
2. Models can be wired for 1 or 3 phase.

3. Includes motor amps.

4. Maximum mounting height for effective heat distribution, minimum height is 7 feet.

INSTALLATION ACCESSORIES AND THERMOSTAT KITS FOR LUH SERIES

Mounting Configurations for LUH Series



Thermostat Kits (Field-Installed)

| To Order | | |
|-----------|------|--|
| Model No. | Type | Use With* |
| LUH-TK-2 | DPST | LUH-02 thru LUH-05 (without contactor) |
| LUH-TK-1 | SPST | LUH-02 thru LUH-25 (with contactor) |

* All LUH heaters have contactor except LUH-02, LUH-04 and LUH-05 (single phase). Contactors are optional on these models. Temperature range: 40°F to 90°F, differential: 5°F.

Wall Mount Mounting Brackets

| Model No. | Use With | Dimensions: cm (inch) | | | | |
|-----------|-----------------|--------------------------------------|--------------------------------------|-------------------------------------|--------|---------------------------------------|
| | | P | Q | R | S | T |
| WUH-01A | LUH-02 thru -05 | 9 (3 ⁹ / ₁₆) | 52 (20 ⁵ / ₈) | 17 (6 ³ / ₄) | 10 (4) | 37 (14 ¹ / ₂) |
| WUH-02 | LUH-07 thru -25 | 11 (4 ³ / ₁₆) | 79 (31) | 24 (9 ¹ / ₂) | 18 (7) | 50 (19 ⁵ / ₈) |
| WUH-03 | LUH-30 thru -45 | 18 (7) | 72 (28 ¹ / ₂) | 13 (5) | — | 83 (32 ⁹ / ₁₆) |

Ceiling Mount Mounting Brackets

| Model No. | Use With | Dimensions: cm (inch) | | |
|-----------|-----------------|--------------------------------------|--------|-------------------------------------|
| | | M | U | V |
| WUH-04A | LUH-02 thru -05 | 15 (6) | 10 (4) | 11 (4 ¹ / ₄) |
| WUH-05 | LUH-07 thru -25 | 20 (8) | 15 (6) | 18 (7 ¹ / ₄) |
| WUH-06 | LUH-30 thru -45 | 35 (13 ³ / ₄) | 15 (6) | 18 (7 ¹ / ₄) |

MOUNTING LIMITATION

Hazardous atmosphere—Unit heaters should not be used in potentially explosive atmospheres.

Corrosive atmosphere—The finish is not intended for direct salt spray exposure in marine applications or the highly corrosive atmospheres of greenhouses, swimming pools, chemical storage bins, etc.

Mounting height— Do not install unit heaters above recommended maximum mounting height.

Obstructions— must not block unit heater air inlet or discharge.

Dimensions: cm (inch)

| Model No. | A | B | C | D | Welded Fasteners | E | F | G | H | I | J | K |
|-----------------|--------------------------------------|--------------------------------------|--------------------------------------|--------------------------------------|------------------|--------------------------------------|-------------------------------------|--------|--------------------------------------|-------------------------------------|-------------------------------------|-------------------------------------|
| LUH-02 thru -05 | 41 (16) | 33 (13 ¹ / ₈) | 23 (8 ⁷ / ₈) | 29 (11 ¹ / ₄) | 5/16-18 | 26 (10 ¹ / ₄) | 25 (9 ³ / ₄) | 13 (5) | 10 (4 ¹ / ₁₆) | 12 (4 ⁵ / ₈) | 11 (4 ¹ / ₂) | 17 (6 ⁵ / ₈) |
| LUH-07,10,12,15 | 52 (20 ¹ / ₂) | 44 (17 ¹ / ₄) | 29 (11 ¹ / ₂) | 38 (15) | 5/16-18 | 26 (10 ¹ / ₄) | 25 (9 ³ / ₄) | 13 (5) | 10 (4 ¹ / ₁₆) | 12 (4 ⁵ / ₈) | 11 (4 ¹ / ₂) | 22 (8 ⁵ / ₈) |
| LUH-02 thru -05 | 61 (24) | 51 (20 ¹ / ₈) | 29 (11 ¹ / ₂) | 45 (17 ³ / ₄) | 5/16-18 | 26 (10 ¹ / ₄) | 25 (9 ³ / ₄) | 13 (5) | 10 (4 ¹ / ₁₆) | 12 (4 ⁵ / ₈) | 11 (4 ¹ / ₂) | 25 (10) |
| LUH-02 thru -05 | 61 (24) | 51 (20 ¹ / ₈) | 44 (17 ¹ / ₄) | 61 (24) | 5/16-18 | 26 (10 ¹ / ₄) | 25 (9 ³ / ₄) | 13 (5) | 10 (4 ¹ / ₁₆) | 12 (4 ⁵ / ₈) | 11 (4 ¹ / ₂) | 25 (10) |