

## SCREW PLUG IMMERSION HEATERS PROCESS WATER APPLICATIONS

MTS-1 Series  
Starts at

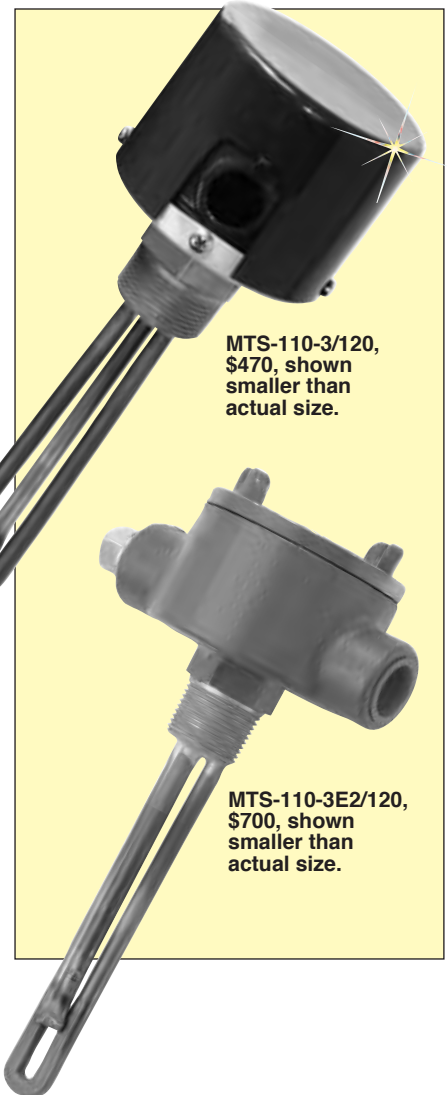
# \$470



- ✓ 1¼ NPT Stainless Steel Passivated Screw Plug
- ✓ Stainless Steel Passivated Elements
- ✓ High Watt Density (43 to 86 W/in<sup>2</sup>)
- ✓ 1 to 2 kW
- ✓ Without Thermostat
- ✓ 120 and 240V, 1 Phase
- ✓ General Purpose or Moisture-Resistant/Explosion-Resistant Terminal Enclosure

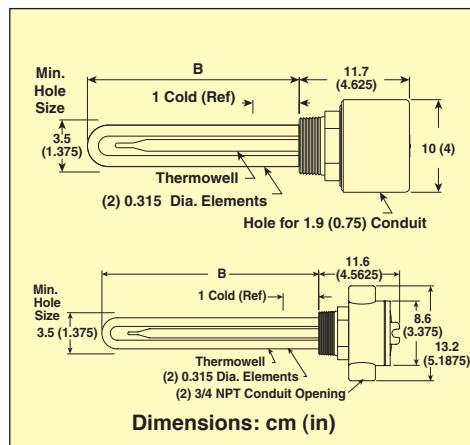
### SPECIFICATIONS

**Wattage:** 1 to 2 kW  
**Power:** 120 and 240V, 1 phase  
**Watt Density:** 43 to 86 W/in<sup>2</sup>  
**Screw Plug:** 1¼ NPT stainless steel passivated screw plug  
**Enclosures:** E1 general purpose, NEMA 1 (IP00) rated, or type E2 moisture resistant/explosion-resistant enclosure.<sup>2</sup>



MTS-110-3/120, \$470, shown smaller than actual size.

MTS-110-3E2/120, \$700, shown smaller than actual size.



*Note: This immersion heater should be used with an approved temperature control device to assure safe operation.*

**MOST POPULAR MODEL HIGHLIGHTED!**

### To Order (Specify Model Number)

kW	Volts	W/in <sup>2</sup>	No. Htg. Elem.	E1 General Purpose Enclosure <sup>1</sup>				E2 Moisture Resis/Explosion Resis. <sup>2</sup>			
				Dim. B cm (in)	Model No.	Price	Wt. kg (lb)	Model No.	Price	Wt. kg (lb)	
1	120	43	2	15.5 (6¼)	<b>MTS-110-3</b>	<b>\$470</b>	0.9 (2)	MTS-110-3E2	<b>\$700</b>	2.3 (5)	
1	240	43	2	15.5 (6¼)	MTS-110-3	470	0.9 (2)	MTS-110-3E2	700	2.3 (5)	
1.2	120	53	2	15.5 (6¼)	MTS-112	475	0.9 (2)	MTS-112E2	700	2.3 (5)	
1.2	240	53	2	15.5 (6¼)	MTS-112	475	0.9 (2)	MTS-112E2	700	2.3 (5)	
1.5	120	65	2	15.5 (6¼)	MTS-115	485	0.9 (2)	MTS-115E2	700	2.3 (5)	
1.5	240	65	2	15.5 (6¼)	MTS-115	485	0.9 (2)	MTS-115E2	700	2.3 (5)	
2	120	86	2	15.5 (6¼)	MTS-120	500	0.9 (2)	MTS-120E2	725	2.3 (5)	
2	240	86	2	15.5 (6¼)	MTS-120	500	0.9 (2)	MTS-120E2	725	2.3 (5)	

<sup>1</sup> Heaters with general purpose enclosures are UL Listed and CSA certified.

<sup>2</sup> Heaters with moisture-resistant/explosion-resistant enclosures are CSA NRTL/C certified and are not intended for use in hazardous areas.

Ordering Example: MTS-120/240, 2 kW heater powered by 240 Vac, \$500.



#### UNITED STATES

[www.omega.com](http://www.omega.com)  
1-800-TC-OMEGA  
Stamford, CT.

#### CANADA

[www.omega.ca](http://www.omega.ca)  
Laval(Quebec)  
1-800-TC-OMEGA

#### GERMANY

[www.omega.de](http://www.omega.de)  
Deckenpfronn, Germany  
0800-8266342

#### UNITED KINGDOM

[www.omega.co.uk](http://www.omega.co.uk)  
Manchester, England  
0800-488-488

#### FRANCE

[www.omega.fr](http://www.omega.fr)  
Guyancourt, France  
088-466-342

#### CZECH REPUBLIC

[www.omegaeng.cz](http://www.omegaeng.cz)  
Karviná, Czech Republic  
596-311-899

#### BENELUX

[www.omega.nl](http://www.omega.nl)  
Amstelveen, NL  
0800-099-33-44



## More than 100,000 Products Available!

### • Temperature

Calibrators, Connectors, General Test and Measurement Instruments, Glass Bulb Thermometers, Handheld Instruments for Temperature Measurement, Ice Point References, Indicating Labels, Crayons, Cements and Lacquers, Infrared Temperature Measurement Instruments, Recorders Relative Humidity Measurement Instruments, RTD Probes, Elements and Assemblies, Temperature & Process Meters, Timers and Counters, Temperature and Process Controllers and Power Switching Devices, Thermistor Elements, Probes and Assemblies, Thermocouples Thermowells and Head and Well Assemblies, Transmitters, Wire

### • Flow and Level

Air Velocity Indicators, Doppler Flowmeters, Level Measurement, Magnetic Flowmeters, Mass Flowmeters, Pitot Tubes, Pumps, Rotameters, Turbine and Paddle Wheel Flowmeters, Ultrasonic Flowmeters, Valves, Variable Area Flowmeters, Vortex Shedding Flowmeters

### • pH and Conductivity

Conductivity Instrumentation, Dissolved Oxygen Instrumentation, Environmental Instrumentation, pH Electrodes and Instruments, Water and Soil Analysis Instrumentation

### • Data Acquisition

Auto-Dialers and Alarm Monitoring Systems, Communication Products and Converters, Data Acquisition and Analysis Software, Data Loggers Plug-in Cards, Signal Conditioners, USB, RS232, RS485 and Parallel Port Data Acquisition Systems, Wireless Transmitters and Receivers

### • Pressure, Strain and Force

Displacement Transducers, Dynamic Measurement Force Sensors, Instrumentation for Pressure and Strain Measurements, Load Cells, Pressure Gauges, Pressure Reference Section, Pressure Switches, Pressure Transducers, Proximity Transducers, Regulators, Strain Gages, Torque Transducers, Valves

### • Heaters

Band Heaters, Cartridge Heaters, Circulation Heaters, Comfort Heaters, Controllers, Meters and Switching Devices, Flexible Heaters, General Test and Measurement Instruments, Heater Hook-up Wire, Heating Cable Systems, Immersion Heaters, Process Air and Duct, Heaters, Radiant Heaters, Strip Heaters, Tubular Heaters