

Humidity Thermostat



RH-FGHS100 Series



- ✓ 40 to 90% RH Range
- ✓ Changeover Contact
- ✓ Easy Mounting on a DIN EN 60715 Compliant Standard Rail (35 mm)
- ✓ Space-Saving Compact Size
- ✓ High Switching Capacity



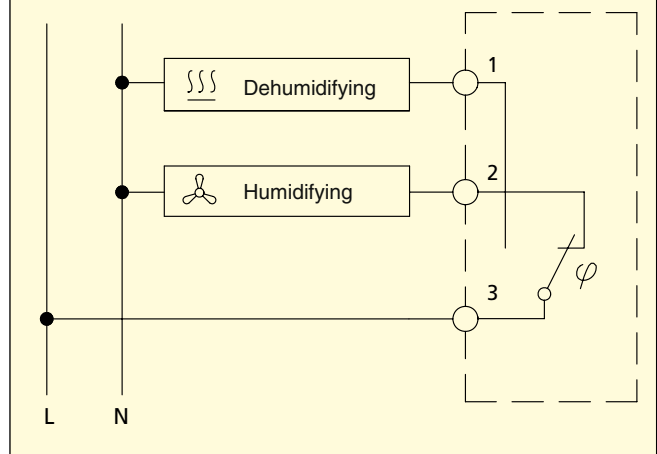
RH-FGHS100 shown larger than actual size.

The RH-FGHS100 is designed for controlling the humidity levels in outdoor enclosures and control panels. This aids in the protection of electronic circuitry and prevents the absorption of moisture by internal components.

Specifications

- Dehumidifying:** 24V/250V, 5A/0.2A, minimum 100 mA at 24V
- Humidifying:** 24V/250V, 2A/0.2A, minimum 100 mA at 24V
- Hysteresis:** Approximate 5% RH
- Voltage:** 24V to 230V, 50/60 Hz
- Humidity Range:** 40 to 90% RH
- Sensing Element:** Synthetic fiber
- Connection:** Screw terminals, 2.5 mm (0.098")
- Weight:** (Approximate) 50 g (1.76 oz)
- Operating Temperature:** 0 to 60°C (32 to 140°F)
- Storage Temperature:** -20 to 80°C (-4 to 176°F)
- Ingress Protection:** IP20
- Housing:** UL94 plastic
- Dimensions:** 46 L x 37 W x 64 mm H (1.69 x 1.45 x 2.52")

Switching Diagram



To Order Visit omega.com/rh-fghs100 for Pricing and Details

Model No.	Description
RH-FGHS100	DIN rail mount hygostat

Comes complete with operator's manual. DIN rail sold separately.
Ordering Example: RH-FGHS100, DIN rail mount hygostat.