

HEAT CABLE CONNECTION ACCESSORIES

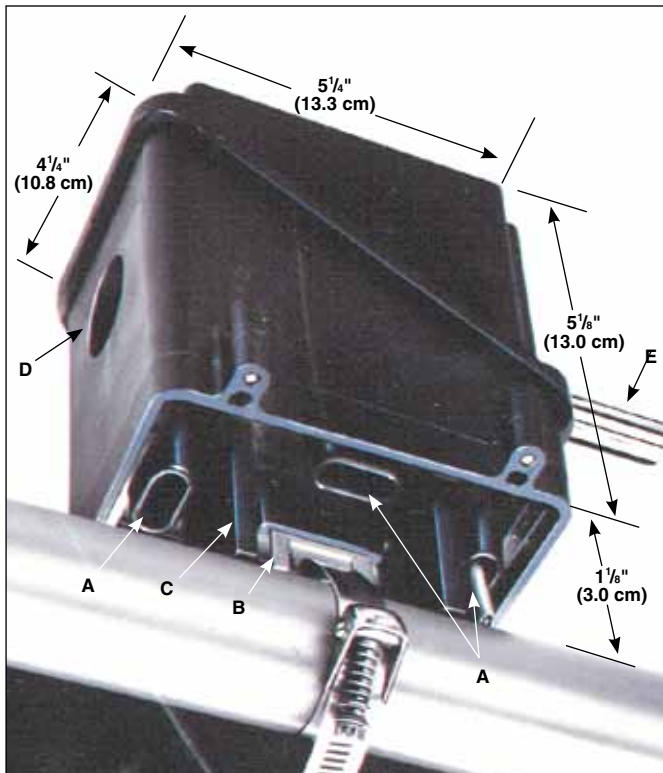
Junction Box and Controls Enclosure

B

RTES

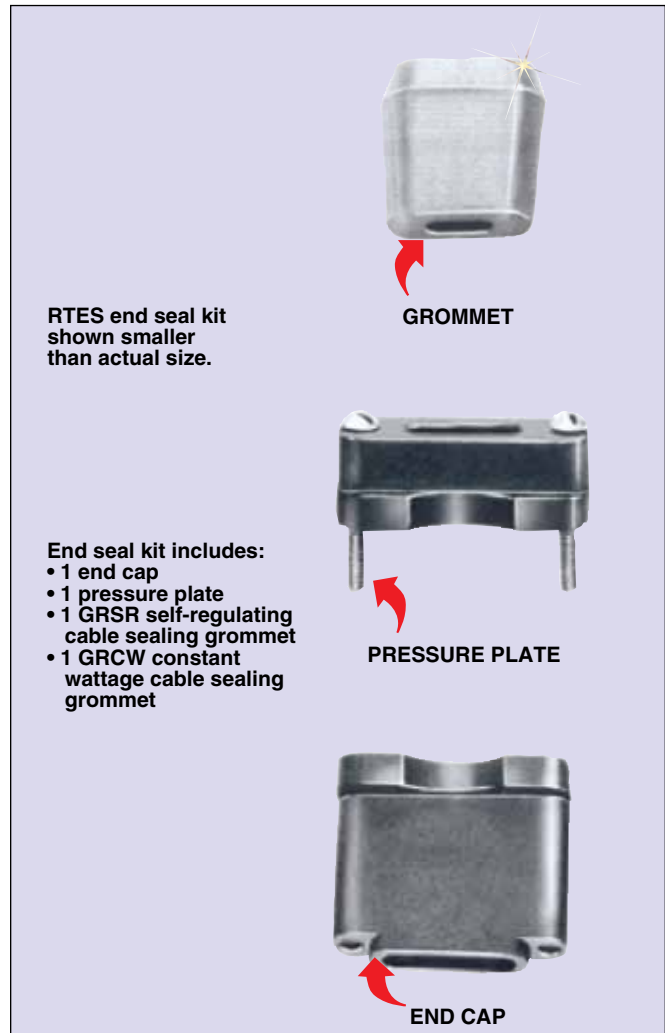
- ✓ Molded Ryton Construction
- ✓ Stainless Steel Hardware
- ✓ NEMA 4X Rated Liquid Tight Design
- ✓ Power Connection or Splice and T Kits

The molded Ryton plastic junction box has outstanding chemical corrosion resistance, superior thermal stability, high strength and rigidity, and is nonflammable.



TYPICAL DIMENSIONS FOR ENCLOSURES

- A.** Strategically placed cable entries allow maximum flexibility for installation (heating cable cut away for clarity)
- B.** Stainless steel tiedown support provides positive attachment to pipes
- C.** Heavy-duty support legs give stable mounting and provide conduit clearance for applications with up to 3" of insulation
- D.** Opening for 20 mm (3/4") conduit hub
- E.** Stainless steel, sheath temperature sensor (type RTAS only)



The RTES end seal fitting is a NEMA 4X rated enclosure designed to terminate all OMEGALUX® heating cables. This model provides waterproof cable entry for one cable, enclosure support and a waterproof corrosion resistant enclosure. The fitting has two different curved mounting surfaces. One side has a 1½" radius curved surface which provides a stable support on pipes with a diameter of three inches or more. The other side has a ½" radius curved surface which permits a better fit on smaller pipes. In addition, this side also has four "feet", for installation on flat surfaces. Attach the RTES end seal fitting to a pipe using OMEGALUX fiberglass tape (to order, visit us online).

To Order	
Model No.	Description
RTES	End seal fitting kit

Ordering Example: RTES, end seal fitting for heating cable.