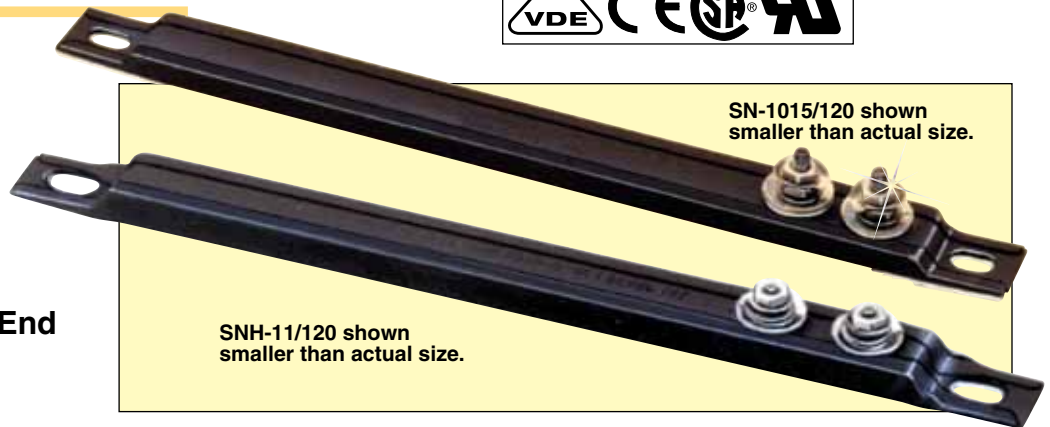


# STRIP HEATERS



## SN and SNH Series

- Rugged, Reliable Premium Quality
- 100 to 1500 Watts
- 2 Terminals at One End
- CSA Certified
- SN Series: 3/4" (1.9 cm) Width
- SNH Series: 1" (2.54 cm) Width



SN-1015/120 shown smaller than actual size.

SNH-11/120 shown smaller than actual size.

## SPECIFICATIONS

### Sheath Material:

Iron or Chrome Steel

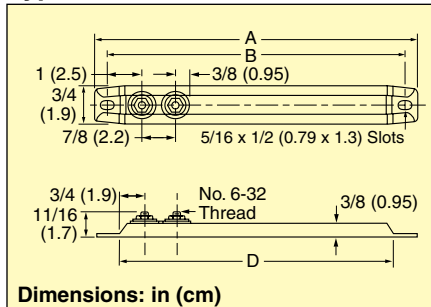
### Max Sheath Temp:

Iron: 399°C (750°F)

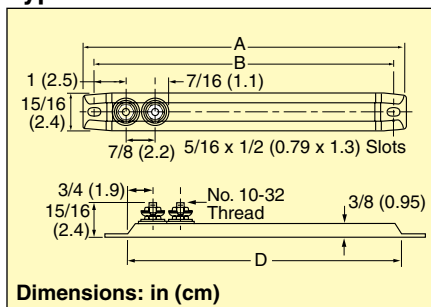
Chrome Steel: 649°C (1200°F)

Power: 120 or 240 Vac

### Type SN



### Type SNH



## To Order

Dimensions: in (cm)			Rust-Resisting Iron Sheath			Chrome Steel Sheath	
A	B	D	Watts	W/In <sup>2</sup>	Model No.	Model No.	Wt. lb (kg)
8 (20)	7 (18)	6 1/2 (17)	250	2	—	SNH-08/120	0.36 (0.16)
9 1/2 (24)	8 1/2 (22)	8 (20)	100	8	SN-910/120	—	0.38 (0.17)
9 1/2 (24)	8 1/2 (22)	8 (20)	300	21	—	SNH-09/120	0.38 (0.17)
10 1/2 (27)	9 1/2 (24)	9 (23)	150	11	SN-1015/120	—	0.5 (0.2)
11 (28)	10 (25)	9 1/2 (24)	350	19	—	SNH-11/120	0.5 (0.2)
12 (30)	11 (28)	10 1/2 (27)	150	9	SN-1215/120	—	0.63 (0.29)
12 (30)	11 (28)	10 1/2 (27)	400	19	—	SNH-12/*	0.63 (0.29)
14 (36)	13 (33)	12 1/2 (32)	450	17	—	SNH-14/*	0.70 (0.32)
15 1/4 (39)	14 1/4 (36)	13 3/4 (35)	200	8	SN-1520/*	—	0.75 (0.34)
15 1/4 (39)	14 1/4 (36)	13 3/4 (35)	500	17	—	SNH-15/	0.75 (0.34)
17 7/8 (45)	16 7/8 (43)	16 3/8 (42)	250	8	SN-1825/*	—	0.85 (0.39)
17 7/8 (45)	16 7/8 (43)	16 3/8 (42)	600	1	—	SNH-18/*	0.85 (0.39)
19 1/2 (50)	18 1/2 (47)	18 (46)	600	15	—	SNH-19/*	0.96 (0.44)
21 (53)	20 (53)	19 1/2 (50)	750	17	—	SNH-21/*	1.0 (0.45)
22 1/2 (57)	21 1/2 (55)	21 (53)	750	16	—	SNH-22/*	1.0 (0.45)
23 3/4 (60)	22 3/4 (58)	22 1/4 (57)	300	7	SN-2430/*	—	1.0 (0.45)
23 3/4 (60)	22 3/4 (58)	22 1/4 (57)	800	16	—	SNH-24/*	1.1 (0.45)
25 1/2 (65)	24 1/2 (62)	24 (61)	900	16	—	SNH-25/*	1.1 (0.50)
27 1/2 (70)	26 1/2 (67)	26 (66)	900	14	—	SNH-27/*	1.1 (0.50)
28 3/4 (73)	27 3/4 (70)	27 1/4 (69)	1000	16	—	SNH-28/*	1.25 (0.57)
30 3/8 (77)	29 3/8 (75)	28 7/8 (73)	450	8	SN-3045/*	—	1.25 (0.57)
30 1/2 (77)	29 3/8 (75)	28 (71)	1000	15	—	SNH-30/*	1.25 (0.57)
33 1/2 (85)	32 3/8 (82)	31 (79)	1000	14	—	SNH-33/*	1.4 (0.64)
35 3/4 (91)	34 3/4 (88)	34 1/4 (87)	600	9	SN-3660/*	—	1.5 (0.68)
35 7/8 (91)	33 3/4 (88)	33 3/8 (85)	1000	13	—	SNH-36/*	1.5 (0.68)
38 1/2 (98)	37 3/8 (95)	36 (91)	1250	15	—	SNH-38/*	1.60 (0.73)
39 7/8 (101)	38 3/4 (98)	37 3/8 (95)	1250	14	—	SNH-40/*	1.60 (0.73)
42 1/2 (108)	41 3/4 (106)	40 (102)	1250	13	—	SNH-43/*	1.80 (0.82)
43 7/8 (111)	42 3/8 (108)	41 3/8 (105)	1250	13	—	SNH-44/*	1.80 (0.82)
45 7/8 (117)	44 3/4 (114)	43 3/8 (110)	1500	14	—	SNH-46/*	1.94 (0.88)
47 7/8 (122)	46 3/4 (119)	45 3/8 (115)	1500	14	—	SNH-48/*	2.0 (0.91)
50 7/8 (129)	49 3/4 (126)	48 3/8 (123)	1500	13	—	SNH-51/	2.13 (0.97)
53 3/8 (136)	52 3/4 (134)	51 3/8 (130)	1500	12	—	SNH-54/	2.25 (1.0)

**CAUTION AND WARNING**  
Fire and electrical shock may result if products are used improperly or used by non-qualified personnel. See inside back cover for additional warning.

\* Designate voltage, i.e.; insert "120" for 120 Vac or "240" for 240 Vac. Model numbers containing /120 or /240 are only available in that voltage.

† To determine maximum allowable watt density, see Figures online.

**Ordering Examples:** SNH-08/120, 1" wide strip heater with chrome steel sheath and two terminals at one end.

SN-910/120, 3/4" wide strip heater with rust resisting iron sheath and two terminals at one end.