

OVER-THE-SIDE IMMERSION HEATERS

For Salt Bath Heating



TBL Series

- ✓ 3 to 7.5 kW
- ✓ 240 and 480V, 1 Phase
- ✓ Steel or Incoloy® Sheath
- ✓ 20 W/in²

APPLICATIONS

- ✓ Primarily for use in salt baths.
- ✓ Available in other sheath materials and watt densities for most liquids and viscous materials. Contact OMEGALUX.

FEATURES

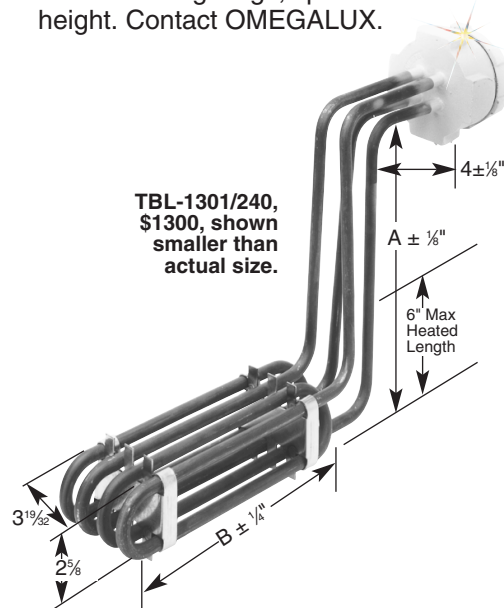
Vapor resistant cast iron terminal box for dependable service. **Optional features** include special voltage or wattage, 3/4" factory installed sludge legs, special riser height. Contact OMEGALUX.

MOST POPULAR MODELS HIGHLIGHTED!

To Order (Specify Model Number)							
kW	Phase	W/in ²	Dimensions—Inches		Model No.	Price	Wt. lb.
			A	B			
Steel Sheath Elements — 20 W/in²							
3	1	20	11 1/8	13 3/8	TBL-1301/*	\$1300	18
4.5	1	20	11 1/8	15	TBL-4501/*	1350	21
6	1	20	11 1/8	20 5/16	TBL-6001/*	1450	27
7.5	1	20	14 5/8	25 5/16	TBL-7501/*	1600	35
Incoloy Sheath Elements — 20 W/in²							
3	1	20	11 1/8	13 3/8	TBL-A-131/*	\$1700	18
4.5	1	20	11 1/8	15	TBL-A-451/*	1750	21
6	1	20	11 1/8	20 5/16	TBL-A-601/*	2000	27
7.5	1	20	14 5/8	25 5/16	TBL-A-751/*	2150	35

* Designate voltage, i.e. insert "240" for 240V or "480" for 480V.

Ordering Example: TBL-1301/240 3 kW heater powered by 240 Vac, \$1300.



TBL-1301/240, \$1300, shown smaller than actual size.

For Deep Tank Heating

- BLCS Series with Straight Blades
- BLCK-MH Series with Circular Blades
- ✓ 7.5 to 24 kW
- ✓ 240 & 480V, 1 or 3 Phase

APPLICATIONS

- ✓ Underground Tanks
- ✓ Railroad Tank Cars
- ✓ Oil
- ✓ Asphalt
- ✓ High Viscosity Fluids

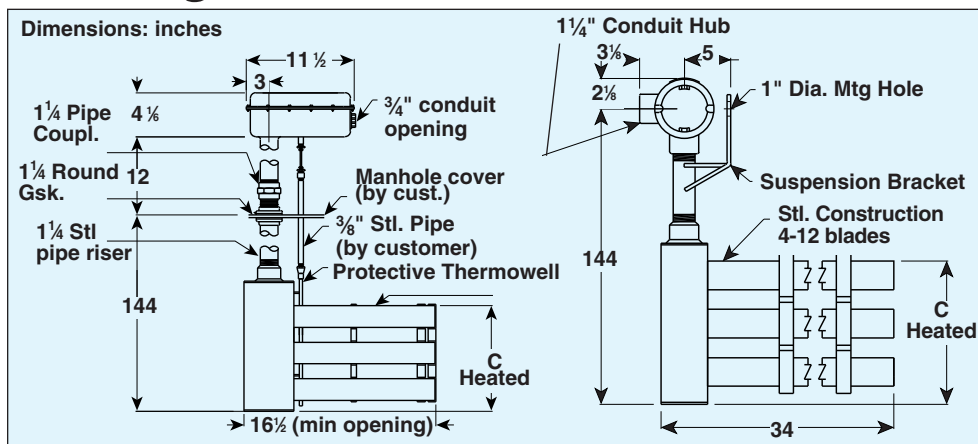
FEATURES

Integral thermostat on BLCK-MH, 50-250°F, inside weather resistant steel terminal box

4 to 12 Circular blades on BLCK-MH permit entry into tanks with 16 1/2" diameter opening. Split riser adapts to manhole covers.

4 to 12 Circular blades on BLCS require manhole access that will accept 34" blade length. One-piece riser.

1 1/4 inch steel pipe riser, 12 ft. std. length



kW	Dimensions		With Circular Blades Model No.	Price	With Straight Blades Model No.	Price	Wt. lb.
	A (ft.)	C (in)					
Regular Oil — 18 W/in²							
12	12	8 7/8	BLCK-MH618/240/*	\$4950	BLCS-618/240/*	\$4150	42
12	12	8 7/8	BLCK-MH618/480/*	4950	BLCS-618/480/*	4150	42
16	12	12	BLCK-MH824/240/*	5700	BLCS-824/240/*	4650	55
16	12	12	BLCK-MH824/480/*	5700	BLCS-824/480/*	4650	55
20	12	15 1/8	BLCK-MH1030/240/3P	6450	BLCS-1030/240/3P	5250	75
20	12	15 1/8	BLCK-MH1030/480/*	6450	BLCS-1030/480/*	5250	75
24	12	18 1/4	BLCK-MH1236/240/3P	7150	BLCS-1236/240/3P	5950	90
24	12	18 1/4	BLCK-MH1236/480/*	7150	BLCS-1236/480/*	5950	90

* Designates phase, i.e. insert "1" for 1 phase or "3" for 3 phase. Model numbers including phase are only available in that phase.

Note: BLCS and BLCK-MH Series heaters are also available for fuel oil with a watt density of 12 W/in². Contact OMEGALUX for details.

Ordering Example: BLCK-MH618/240/3P, 12 kW heater powered by 3 phase 240 Vac, \$4950.



UNITED STATES

www.omega.com
1-800-TC-OMEGA
Stamford, CT.

CANADA

www.omega.ca
Laval(Quebec)
1-800-TC-OMEGA

GERMANY

www.omega.de
Deckenpfronn, Germany
0800-8266342

UNITED KINGDOM

www.omega.co.uk
Manchester, England
0800-488-488

FRANCE

www.omega.fr
Guyancourt, France
088-466-342

CZECH REPUBLIC

www.omegaeng.cz
Karviná, Czech Republic
596-311-899

BENELUX

www.omega.nl
Amstelveen, NL
0800-099-33-44



More than 100,000 Products Available!

• Temperature

Calibrators, Connectors, General Test and Measurement Instruments, Glass Bulb Thermometers, Handheld Instruments for Temperature Measurement, Ice Point References, Indicating Labels, Crayons, Cements and Lacquers, Infrared Temperature Measurement Instruments, Recorders Relative Humidity Measurement Instruments, RTD Probes, Elements and Assemblies, Temperature & Process Meters, Timers and Counters, Temperature and Process Controllers and Power Switching Devices, Thermistor Elements, Probes and Assemblies, Thermocouples Thermowells and Head and Well Assemblies, Transmitters, Wire

• Flow and Level

Air Velocity Indicators, Doppler Flowmeters, Level Measurement, Magnetic Flowmeters, Mass Flowmeters, Pitot Tubes, Pumps, Rotameters, Turbine and Paddle Wheel Flowmeters, Ultrasonic Flowmeters, Valves, Variable Area Flowmeters, Vortex Shedding Flowmeters

• pH and Conductivity

Conductivity Instrumentation, Dissolved Oxygen Instrumentation, Environmental Instrumentation, pH Electrodes and Instruments, Water and Soil Analysis Instrumentation

• Data Acquisition

Auto-Dialers and Alarm Monitoring Systems, Communication Products and Converters, Data Acquisition and Analysis Software, Data Loggers Plug-in Cards, Signal Conditioners, USB, RS232, RS485 and Parallel Port Data Acquisition Systems, Wireless Transmitters and Receivers

• Pressure, Strain and Force

Displacement Transducers, Dynamic Measurement Force Sensors, Instrumentation for Pressure and Strain Measurements, Load Cells, Pressure Gauges, Pressure Reference Section, Pressure Switches, Pressure Transducers, Proximity Transducers, Regulators, Strain Gages, Torque Transducers, Valves

• Heaters

Band Heaters, Cartridge Heaters, Circulation Heaters, Comfort Heaters, Controllers, Meters and Switching Devices, Flexible Heaters, General Test and Measurement Instruments, Heater Hook-up Wire, Heating Cable Systems, Immersion Heaters, Process Air and Duct, Heaters, Radiant Heaters, Strip Heaters, Tubular Heaters