

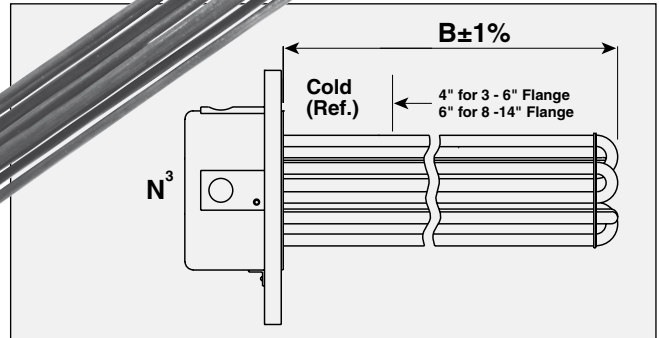
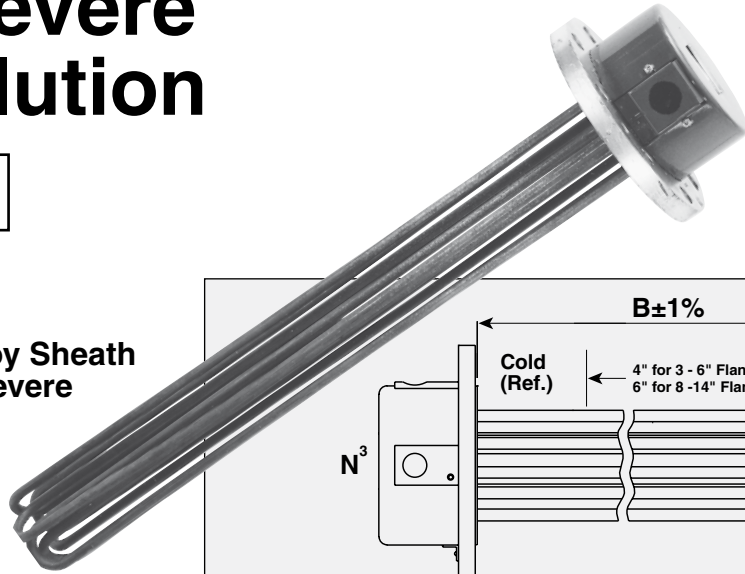
Flanged Immersion Heaters for Severe Corrosive Solution



TMIS Series



- ✓ 3, 5 & 6 Inch, 68 kg (150 lb) Stainless Steel Flange
- ✓ Rugged 0.475" Diameter Incoloy Sheath Heating Elements for Use in Severe Corrosive Solutions
- ✓ 240 and 480 V, 3 Phase
- ✓ 2 to 24 kW



Features

Rugged Construction. Sturdy 0.475" diameter Incoloy elements, welded to stainless steel flanges-corrosion resistance provides superior rigidity and strength. Heavy-duty jumper straps and terminal posts assure permanent tightness of connections and an extra margin of current carrying capacity.

Applications

For severe corrosive solutions. For solutions with chemicals with more severe corrosive properties than can be used with other sheath materials and where corrosive action is accelerated by higher sheath temperatures.

For heavy solution concentrations in the 30 to 50% range. It should be noted that with high concentration, only the less corrosive chemicals may be put in the solution.

CAUTION AND WARNING!

Fire and electrical shock may result if products are used improperly or installed or used by non-qualified personnel. See inside back cover for additional warnings.

Please note: Approved pressure and/or temperature limiting controls must be used to assure safe operation in the event of system malfunctions.

Specifications

Wattage: 2 to 24 kW

Power: 240 and 480 V, 3 phase

Watt Density: 15W/in²

Terminal Enclosure: General purpose NEMA 1 rated (other enclosures available).

To Order						
E-1 General Purpose Enclosure ¹						
kW	Circ	Phase	B Dim cm (inches)	Model No.	Weight kg (lb)	N ³ Dim. cm (inches)
3 Inch-150 lbs, SS Flange, 3 Incoloy Elements — 15 W/in²						
2	1	3	46 (18 ¹ / ₁₆)	TMIS-3025L*/3P	7 (16)	2.54 (1)
4	1	3	84 (33 ¹ / ₁₆)	TMIS-3045L*/3P	8 (18)	2.54 (1)
6	1	3	122 (48 ¹ / ₁₆)	TMIS-3065L*/3P	10 (21)	2.54 (1)
5 Inch-150 lbs, SS Flange, 6 Incoloy Elements — 15 W/in²						
4	1	3	46 (18 ¹ / ₁₆)	TMIS-6045L*/3P	12 (27)	2.54 (1)
8	1	3	84 (33 ¹ / ₁₆)	TMIS-6085L*/3P	15 (33)	2.54 (1)
12	1	3	122 (48 ¹ / ₁₆)	TMIS-6125L*/3P	17 (37)	2.54 (1)
6 Inch-150 lbs, SS Flange, 12 Incoloy Elements — 15 W/in²						
8	1	3	46 (18)	TMIS-1208L*/3P 5033	36 (60)	2.54 (1)
12	1	3	64 (25 ¹ / ₁₆)	TMIS-1212L*/3P 5118	27 (67)	2.54 (1)
16	1	3	84 (33)	TMIS-1216L*/3P 5149	34 (76)	2.54 (1)
20	1	3	103 (40 ¹ / ₂)	TMIS-1220L*/3P 5325	38 (84)	2.54 (1)
24	1	3	47 (122)	TMIS-1224L*/3P 5836	50 (111)	2.54 (1)

* Designate voltage, i.e. insert 240 for 240 V or 480 V.

Note: Larger flange sizes and kW ratings are available. contact OMEGA.

¹ Heaters with General Purpose & Moisture Resistant Enclosures are UL Listed and CSA Certified.

Ordering Example: TMIS-3025L/240/3P, is a 2kW, 3 phase, 240 Vac flanged immersion heater.