

RUGGED SCREW PLUG IMMERSION HEATERS

For Small Tanks



TM-1036G shown
smaller than actual size.

TM/TMO Series

- ✓ 1 NPT Screw Plug
- ✓ Tubular Element Design
- ✓ 350 to 1500W
- ✓ Heavy Duty Construction

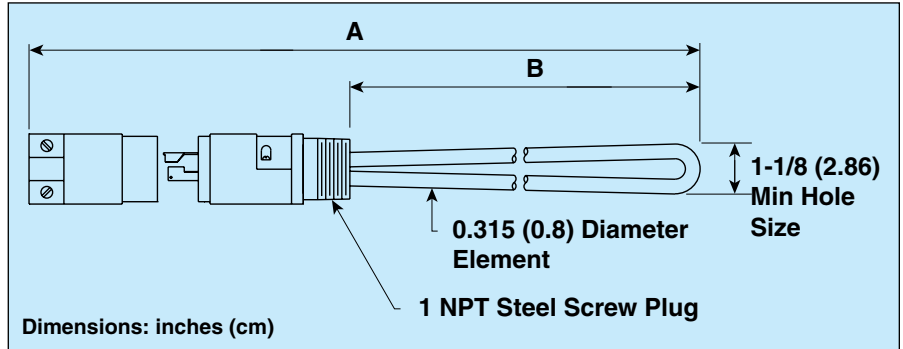
These screw plug immersion heaters feature a dead front Nylon Twist Lock grounded plug with receptacle. This makes power connection easier.

SPECIFICATIONS

Wattage: 350 to 1500 W

Power: 120 or 240 Vac

Watt Density: 20 to 86 W/in²



Sheath Material: Type TM has a high watt density copper sheath, ideal for water heating applications. Type TMO has a lower watt density steel sheath for oil heating applications.

Screw Plug: Type TM has a 1" brass screw plug. Type TMO has 1" steel screw plug.

CAUTION AND WARNING!

Fire and electrical shock may result if products are used improperly or installed or used by non-qualified personnel. See inside back cover for additional warnings.

To Order

Watts	Volts	Phase	W/in ²	Dimensions: in (cm)		Standard Pipe Thread	Model No.	Weight oz.
				A	B			
TM Series - Copper Sheath Element for Water Heating - Brass Screw Plug								
350	120	1	46	8 ⁵ / ₈ (22)	4 ³ / ₈ (11)	1	TM-1036G/120	14
500	120	1	43	10 ³ / ₄ (27)	6 ¹ / ₂ (17)	1	TM-1051G/120	14
750	120	1	64	10 ³ / ₄ (27)	6 ¹ / ₂ (17)	1	TM-1076G/120	16
750	240	1	64	10 ³ / ₄ (27)	6 ¹ / ₂ (17)	1	TM-1076G/240	16
1000	120	1	85	10 ³ / ₄ (27)	6 ¹ / ₂ (17)	1	TM-1101G/120	16
1000	240	1	85	10 ³ / ₄ (27)	6 ¹ / ₂ (17)	1	TM-1101G/240	16
1500	120	1	86	13 ⁵ / ₈ (35)	9 ³ / ₈ (24)	1	TM-1415G/120	17
1500	240	1	86	13 ⁵ / ₈ (35)	9 ³ / ₈ (24)	1	TM-1415G/240	17
TMO Series - Steel Sheath Element for Oil Heating - Steel Screw Plug								
350	120	1	20	13 ¹ / ₁₆ (35)	8 ⁷ / ₈ (23)	1	TMO-1036G/120	16
500	120	1	20	17 ³ / ₁₆ (44)	13 (33)	1	TMO-1051G/120	18
500	240	1	20	17 ³ / ₁₆ (44)	13 (33)	1	TMO-1051G/240	18
750	120	1	20	23 ¹ / ₈ (59)	18 ⁷ / ₈ (48)	1	TMO-1076G/120	20
750	240	1	20	23 ¹ / ₈ (59)	18 ⁷ / ₈ (48)	1	TMO-1076G/240	20
900	120	1	21	25 ⁵ / ₈ (65)	21 ³ / ₈ (54)	1	TMO-1091G/120	22
900	240	1	21	25 ⁵ / ₈ (65)	21 ³ / ₈ (54)	1	TMO-1091G/240	22

Ordering Examples: TM-1036G/120, 350 W, 120V heater.
TMO-1051G/120, 500 W, 120V heater.