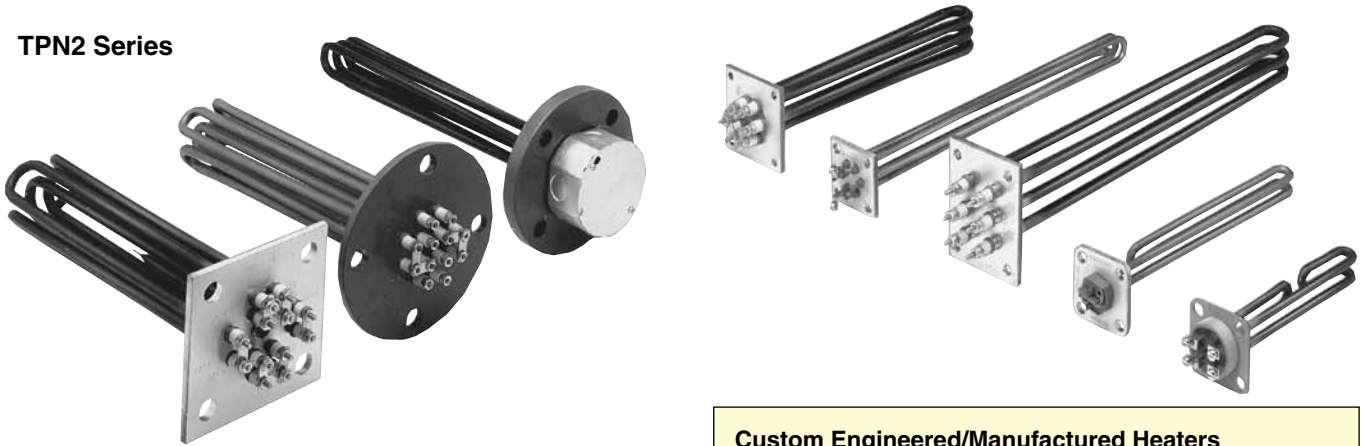


Flanged Immersion Heaters with Custom Size and Shape Flanges

TPN2 Series



Typical Applications

- Hot Air Dryers
- Dehumidifying Dryers
- Heat Exchange Systems
- Water and Water Solutions
- Steam Tables
- Air Heating

Custom Immersion Heaters

This design consists of tubular heating elements silver brazed or TIG welded to a flange cut from steel or stainless steel plate. Flange plate size, thickness and shape are determined by the application. A fiber gasket is supplied with each heater. This type construction also lends itself to be easily and economically engineered into new equipment.

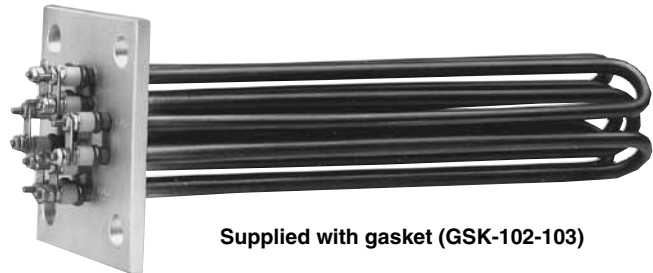
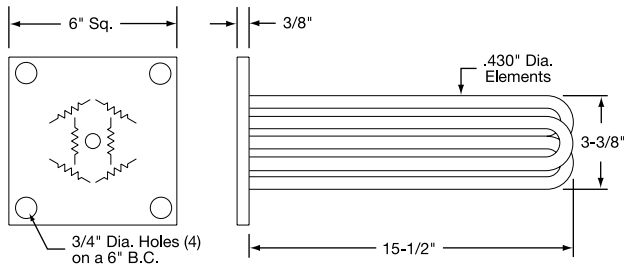
Custom Engineered/Manufactured Heaters

An electric heater can be very application specific; for sizes and ratings not listed, OMEGA will design and manufacture a flanged immersion heater to meet your requirements.

Please Specify the Following:

- ✓ Wattage, Voltage and Phase
- ✓ Element Immersion Length
- ✓ Flange Size and Material
- ✓ Electrical Enclosure, if required
- ✓ Element Sheath Material
- ✓ Optional Features
- ✓ Element Watt Density

6" Square Steel Flanged, 6 Incoloy® 800 Elements, 2 Circuits



Supplied with gasket (GSK-102-103)

To Order Visit omega.com/tpn2 for Pricing and Details

Model No.				Approx Weight		Element Sheath Material	KW	Watt Density	
208V-3Ph	230V-3Ph	460V-3Ph	575V-3Ph	kg	lb			Watt/cm ²	Watt/in ²
TPN01168	TPN01169	TPN01170	TPN01424	3.6	8	Incoloy® 800	9	6.8	44
TPN01425	TPN01426	TPN01427	TPN01428	3.6	8		10.5	8.1	52
TPN01171	TPN01429	TPN01172	TPN01430	3.6	8		12	9.3	60
TPN01431	TPN01432	TPN01433	TPN01434	3.6	8		15	10.9	70

Ordering Example: TPN01429, 12 KW, 230 Vac, 3 phase flanged immersion heater.