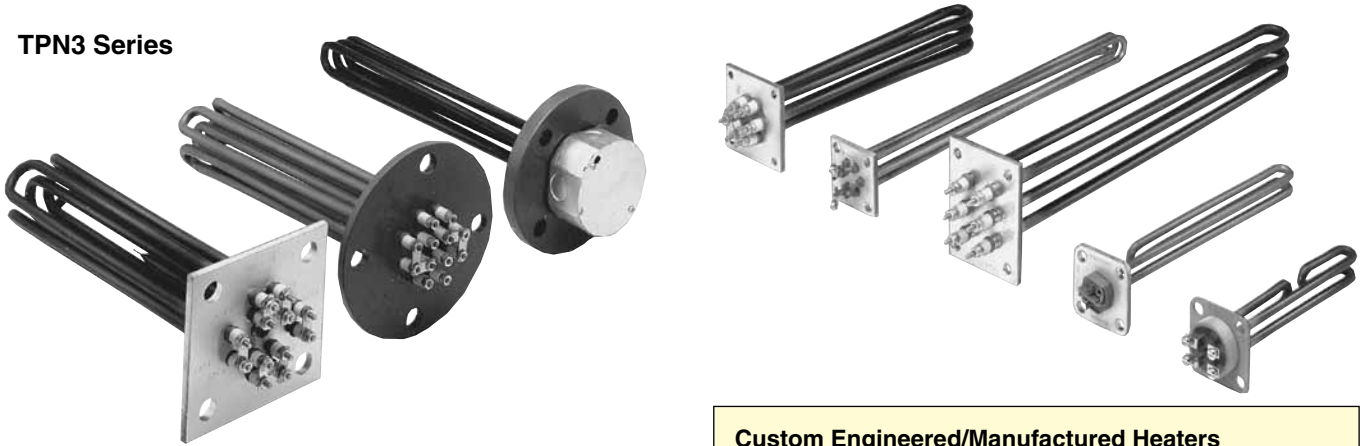


Flanged Immersion Heaters with Custom Size and Shape Flanges

TPN3 Series



Typical Applications

- Hot Air Dryers
- Dehumidifying Dryers
- Heat Exchange Systems
- Water and Water Solutions
- Steam Tables
- Air Heating

Custom Immersion Heaters

This design consists of tubular heating elements silver brazed or TIG welded to a flange cut from steel or stainless steel plate. Flange plate size, thickness and shape are determined by the application. A fiber gasket is supplied with each heater. This type construction also lends itself to be easily and economically engineered into new equipment.

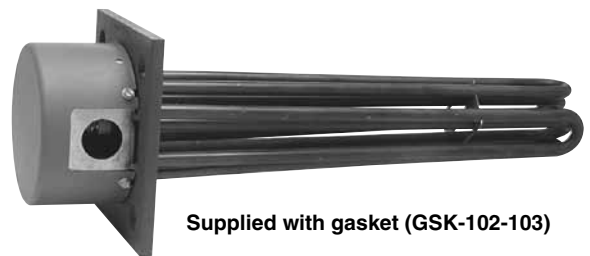
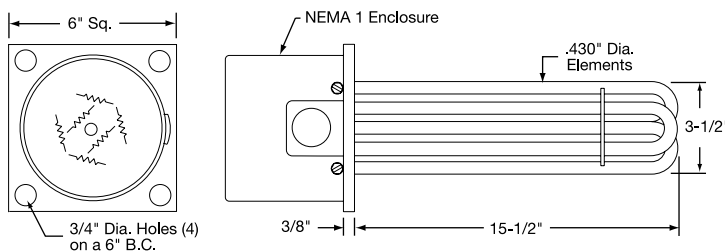
Custom Engineered/Manufactured Heaters

An electric heater can be very application specific; for sizes and ratings not listed, OMEGA will design and manufacture a flanged immersion heater to meet your requirements.

Please Specify the Following:

- ✓ Wattage, Voltage and Phase
- ✓ Element Immersion Length
- ✓ Flange Size and Material
- ✓ Electrical Enclosure, if required
- ✓ Element Sheath Material
- ✓ Optional Features
- ✓ Element Watt Density

6" Square Steel Flanged, 6 Incoloy® 800 Elements



Supplied with gasket (GSK-102-103)

To Order Visit omega.com/tpn3 for Pricing and Details

Model No.			Approx Weight		Element Sheath Material	KW	Watt Density	
208V-3Ph	240/480V-3Ph	575V-3Ph	kg	lb			Watt/cm ²	Watt/in ²
TPN01413	TPN01414	—	4.1	9	Incoloy® 800	4.5	3.1	20
TPN01415	TPN01416	TPN01417	4.1	9		9	6.2	40
TPN01418	TPN01419	TPN01420	4.1	9		10.5	7.3	47
TPN01421	TPN01422	TPN01423	4.1	9		12	8.4	54

Ordering Example: TPN01415, 9 KW, 208 Vac, 3 phase flanged immersion heater.