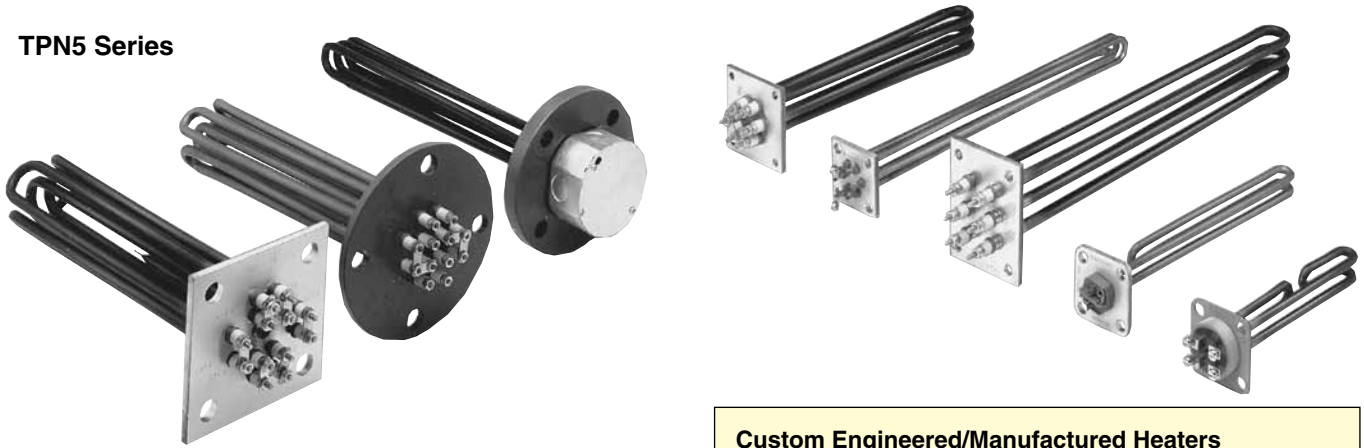


Flanged Immersion Heaters with Custom Size and Shape Flanges

TPN5 Series



Typical Applications

- Hot Air Dryers
- Dehumidifying Dryers
- Heat Exchange Systems
- Water and Water Solutions
- Steam Tables
- Air Heating

Custom Immersion Heaters

This design consists of tubular heating elements silver brazed or TIG welded to a flange cut from steel or stainless steel plate. Flange plate size, thickness and shape are determined by the application. A fiber gasket is supplied with each heater. This type construction also lends itself to be easily and economically engineered into new equipment.

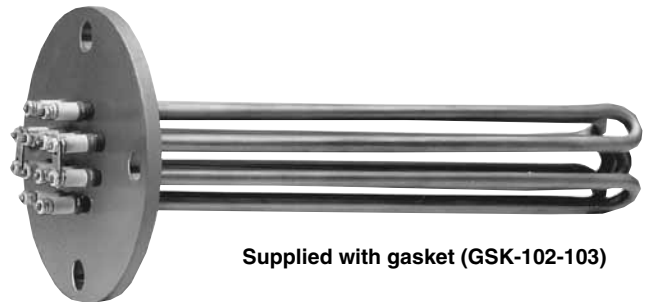
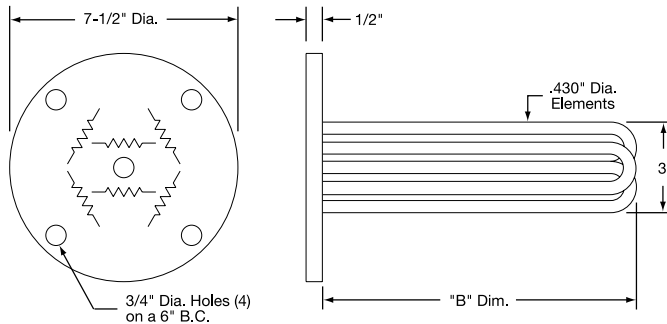
Custom Engineered/Manufactured Heaters

An electric heater can be very application specific; for sizes and ratings not listed, OMEGA will design and manufacture a flanged immersion heater to meet your requirements.

Please Specify the Following:

- ✓ Wattage, Voltage and Phase
- ✓ Element Immersion Length
- ✓ Flange Size and Material
- ✓ Electrical Enclosure, if required
- ✓ Element Sheath Material
- ✓ Optional Features
- ✓ Element Watt Density

7½" Diameter Steel Flanged, 6 Elements



Supplied with gasket (GSK-102-103)

To Order Visit omega.com/tpn5 for Pricing and Details

Model No.			Approx Weight		Element Sheath Material	KW	Watt Density		B	
208V-3Ph	240V-3Ph Y	480V-3Ph Y	kg	lb			Watt/cm ²	Watt/in ²	mm	inch
TPN01468	TPN01165	TPN01469	5.5	12	Incoloy® 800	7.5	7.8	50	305	12
TPN01470	TPN01350	TPN01211	6.4	14		9	8.1	42	403	15⅞
TPN01471	TPN01472	TPN01473	6.4	14		10	7.8	50	403	15⅞
TPN01474	TPN01475	TPN01476	6.4	14		12	8.2	53	403	15⅞
TPN01477	TPN01478	TPN01479	6.4	14	Copper	9	8.1	42	403	15⅞
TPN01480	TPN01481	TPN01260	6.4	14		10	7.8	50	403	15⅞
TPN01482	TPN01483	TPN01299	6.4	14		12	8.2	53	403	15⅞

Ordering Example: TPN01476, 12 KW, 480 Vac, 3 phase flanged immersion heater.