

# WALL MOUNTED ROOM THERMOSTATS

## WR Series



- ✓ UL Listed, CSA Certified
- ✓ Positive Snap-Action Switch
- ✓ 3 Models Available

The WR Series room thermostats are designed to directly control individual heaters or, by using an external contactor, can control several heaters. The WR-90 is particularly useful for maintaining lower temperatures (in garages, warehouses, etc.) and avoiding unnecessary heating costs.

Each design has accuracy and provides long reliable service with a 3° control differential. Both units are heavy duty, single stage, with a SPST line voltage snap-action switch and are finished with tough, metallic gray enamel housings.

The WR80-EP room thermostat is designed to control individual heaters directly or by using an external contactor to control several heaters. It provides accuracy, long and reliable service. The control is a heavy duty, single stage, SPST line voltage snap-action switch featuring an external, coiled sensing element and adjustable setpoint knob.

**WARNING: Hazard of Fire.** The WR thermostats are designed for temperature control service only. Because they do not fail-safe, they should not be used for temperature limiting duty.

## FEATURES

**Positive Accuracy, 3° differential.** Single stage SPST snap-acting switch

**WR-80** has internal sensing element and thermometer

**WR-90 and WR-80EP** have external, coiled sensing element, but no thermometer



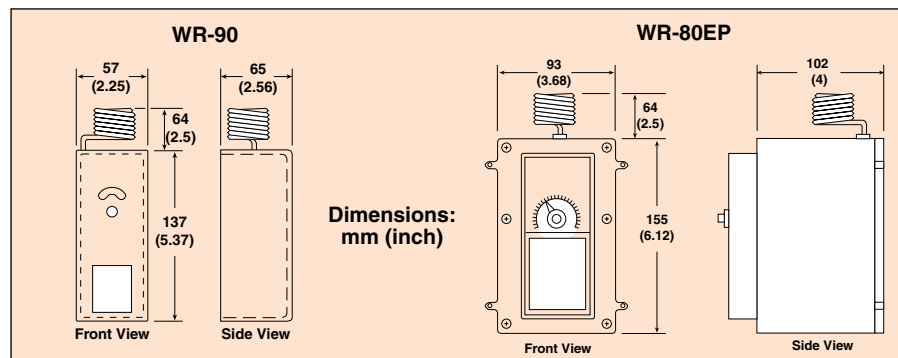
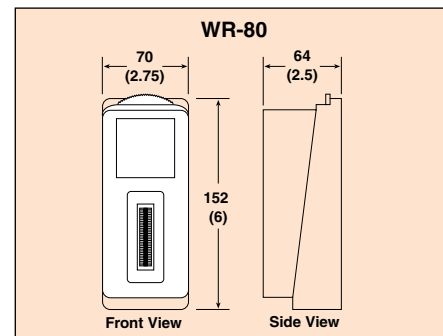
All models shown smaller than actual size.

WR-80

WR-90

WR-80EP

- ✓ WR-90 is especially useful in holding lower temperatures in garages, warehouses, factories etc.
- ✓ WR-80EP is suitable for Class I Group D and Class II, Groups E, F, and G locations



## To Order

Model No.	Temp Range °F	Maximum Rating (Amps/Watts)						Wt. (lb)
		AC				DC†		
		120V	240V	277V	480V	115V	230V	
WR-80	40 to 80	25/3000	22/5280	18/5000	125V/A*	125V/A**	125V/A**	2
WR-90	20 to 90	25/3000	22/5280	18/5000	125V/A*	125V/A**	125V/A**	2
WR-80EP	40 to 90	25/3000	22/5280	18/5000	125V/A*	125V/A**	125V/A**	5

\* Pilot duty for use with AC contactor. \*\* Pilot duty for use with DC contactor.

† DC Ratings are not UL Listed.

Comes complete with operator's manual.

**Ordering Example:** WR-80, wall mounted room thermostat.