

# MIN/MAX DIGITAL PRESSURE GAUGES

**DPG5500 Series-Aluminum Case**  
**DPG5600 Series-Backlit**  
**DPG3500 Series-Nema 4X Case**

Starts at  
**\$289**



- ✓ Capture Minimum and Maximum Readings
- ✓ Zero with One Touch
- ✓ 316 SS Wetted Parts
- ✓ ±0.25% Test Gauge Accuracy
- ✓ Optional Backlit Display or NEMA 4X (IP66) Enclosure Available

The DPG5500 and DPG3500 gauges are compact units with a full 4-digit display. Available with over 140 possible pressure units, these gauges are powered by 2 "AA" alkaline batteries. All models include a standard 5-minute auto shut-off circuitry to conserve battery life. Units are available in three configurations, with an extruded aluminum or NEMA 4X ABS/polycarbonate case. Aluminum case models are also available with a backlit display

## SPECIFICATIONS

**Power:** 2 "AA" alkaline included, approximately 2000 hr (150 to 1500 hr for DPG5600 models; low battery indicator)

**Auto Shut-Off:** 5 min standard. Specify "NS" option at time of order if on/off button is preferred. (No additional charge for "NS" option.)

**Pressure/Vacuum Reference:** Gauge (psig) or absolute (psia)

**Optional Units:** Gauge is available from the factory scaled in other engineering units, for other ranges. Units include kPa, bar, mbar, inH<sub>2</sub>O, mmHg, ftH<sub>2</sub>O, torr, and kg/cm<sup>2</sup>. Please consult the OMEGA Pressure Engineering Department for available models.

**Display:** 4 digit, LCD, 10.16 mm (0.4") digit height, 3 readings per second, nominal update rate

**Accuracy:** ±0.25% FS ±1 least significant digit; linearity, hysteresis and repeatability combined

**Operating Temperature:** -20 to 85°C (-4 to 185°F)

**Compensated Temperature:** 0 to 70°C (32 to 158°F)

**Temperature Stability:** ±0.5% of span (typical), ±1% of span (maximum) 0 to 82°C (32 to 180°F)

**Storage Temperature:** -40 to 95°C (-40 to 203°F)

**Pressure/Vacuum Fitting:** ¼ MNPT

**Wetted Parts:** 316 SS

**Overpressure:** 2x sensor pressure range, 3000 psig range = 5000 psi max, 5000 psig range = 7500 psig max.

At 110% to 125% out-of-range display 1---- or 1-.-.- depending on the model.

**Burst Pressure:** 4x sensor pressure rating or 10,000 psi, whichever is less

**Calibration:** Internal controls, non-interactive zero, span and linearity ±10% range



DPG3500B-60G,  
\$319, shown  
actual size.

NEMA 4X Case



DPG5500B-60G,  
\$289, shown  
actual size.

Aluminum Case

## Dimensions:

**DPG5500/5600:** 86 W x 73 H x 42 mm D (3.38 x 2.88 x 1.65") not including the pressure fitting.

**DPG3500:** 89 W x 76 H x 51 mm D (3.5 x 3.0 x 2.0") not including the pressure fitting. Add approximately 19 mm (0.75") to the height for the pressure fitting.

**Weight:** 255 g (9 oz); shipping weight: 454 g (1 lb)

## Material:

**DPG5500/5600:** Extruded aluminum case, light gray epoxy powder coated, black ABS/polycarbonate bezel, front and rear gaskets, black/gold label

**DPG3500:** ABS/polycarbonate NEMA 4X (IP66) case, rear gasket, polycarbonate label

# MIN/MAX DIGITAL PRESSURE GAUGES

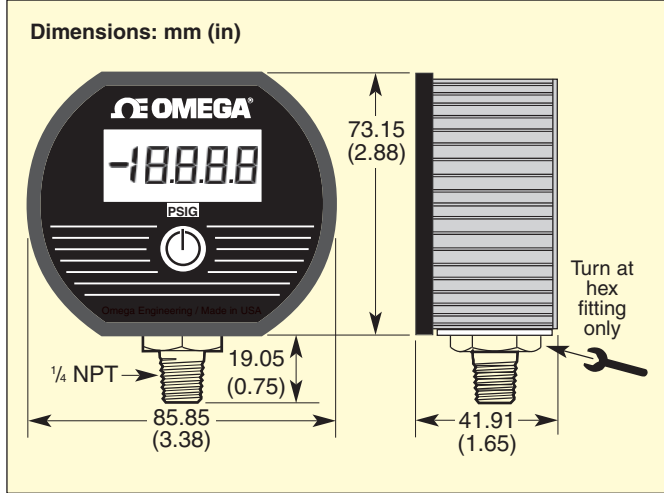


DPG5000 Dimensions

DPG5600B-60G, \$319, shown smaller than actual size.

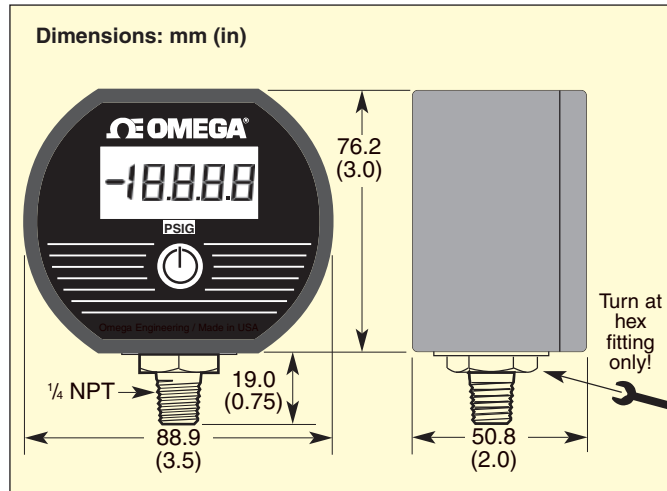
**ALL RANGES AND RESOLUTIONS SHOWN AVAILABLE!**

-30.00 inHg/15.00 psig	120.0 inHg	1600 mmHg	35.00 bar	1.000 kg/cm <sup>2</sup> abs
-30.0 inHg/100.0 psig	200.0 inHg abs	760.0 torr abs	70.00 bar	1.000 kg/cm <sup>2</sup> vac
-30.0 inHg/200.0 psig	200.0 inHg	1600 torr abs	140.0 bar	±1.000 kg/cm <sup>2</sup>
<b>3.000 psig</b>	50.00 oz/in <sup>2</sup>	2100 mmH <sub>2</sub> O	200.0 bar	1.000 kg/cm <sup>2</sup>
<b>5.000 psig</b>	80.0 oz/in <sup>2</sup>	3500 mmH <sub>2</sub> O	350.0 bar	2.000 kg/cm <sup>2</sup> abs
15.00 psi abs	240.0 oz/in <sup>2</sup> abs	200.0 cmH <sub>2</sub> O	20.00 kPa	2.000 kg/cm <sup>2</sup>
<b>15.00 psig vac</b>	240.0 oz/in <sup>2</sup> vac	350.0 cmH <sub>2</sub> O	35.00 kPa vac	4.000 kg/cm <sup>2</sup>
±15.00 psig	±240.0 oz/in <sup>2</sup>	1000 cmH <sub>2</sub> O	100.0 kPa abs	7.000 kg/cm <sup>2</sup> abs
<b>15.00 psig</b>	240.0 oz/in <sup>2</sup>	2100 cmH <sub>2</sub> O	100.0 kPa vac	7.000 kg/cm <sup>2</sup>
30.00 psi abs	85.0 inH <sub>2</sub> O	200.0 mbar	±100.0 kPa	14.00 kg/cm <sup>2</sup>
<b>30.00 psig</b>	140.0 inH <sub>2</sub> O	350.0 mbar	100.0 kPa	20.00 kg/cm <sup>2</sup>
<b>60.00 psig</b>	400.0 inH <sub>2</sub> O	1000 mbar abs	200.0 kPa abs	35.00 kg/cm <sup>2</sup>
100.0 psi abs	400.0 inH <sub>2</sub> O vac	1000 mbar vac	200.0 kPa	70.00 kg/cm <sup>2</sup>
<b>100.0 psig</b>	±400 inH <sub>2</sub> O	±1000 mbar	400.0 kPa	140.0 kg/cm <sup>2</sup>
<b>200.0 psig</b>	400.0 inH <sub>2</sub> O	1000 mbar	700.0 kPa abs	200.0 kg/cm <sup>2</sup>
<b>300.0 psig</b>	850 inH <sub>2</sub> O	2000 mbar abs	700.0 kPa	350.0 kg/cm <sup>2</sup>
<b>500.0 psig</b>	7.000 ftH <sub>2</sub> O	2000 mbar	1500 kPa	1.000 atm abs
<b>1000 psig</b>	12.00 ftH <sub>2</sub> O	4000 mbar	2000 kPa	±1.000 atm
<b>2000 psig</b>	35.00 ftH <sub>2</sub> O	1.000 bar abs	3500 kPa	1.000 atm
3000 psig	70.00 ftH <sub>2</sub> O	1.000 bar vac	5000 kPa	4.000 atm
5000 psig	140.0 ftH <sub>2</sub> O	±1.000 bar	3.500 MPa	7.000 atm
6.000 inHg	230.0 ftH <sub>2</sub> O	1.000 bar	7.000 MPa	14.00 atm
10.00 inHg	480.0 ftH <sub>2</sub> O	2.000 bar abs	14.00 MPa	20.00 atm
30.00 inHg abs	150.0 mmHg	2.000 bar	20.00 MPa	35.00 atm
<b>30.00 inHg vac</b>	260.0 mmHg	4.000 bar	35.00 MPa	70.00 atm
±30.00 inHg	760.0 mmHg abs	7.000 bar abs	1000 g/cm <sup>2</sup> abs	135.0 atm
30.00 inHg	760.0 mmHg vac	7.000 bar	1000 g/cm <sup>2</sup> vac	200.0 atm
60.00 inHg abs	760.0 mmHg	14.00 bar	2100 g/cm <sup>2</sup> abs	340.0 atm
60.00 inHg	1600 mmHg	20.00 bar	2100 g/cm <sup>2</sup>	



DPG3500 Dimensions

DPG3500B-60G, \$319, shown smaller than actual size.



Resolution is fixed as indicated in table. Ranges in **bold** are standard. Contact Omega Engineering for other ranges listed above.  
**abs:** Absolute reference (normally reads atmospheric pressure; reads zero at full vacuum).  
**vac:** Vacuum gauge, minus sign not used unless specified.

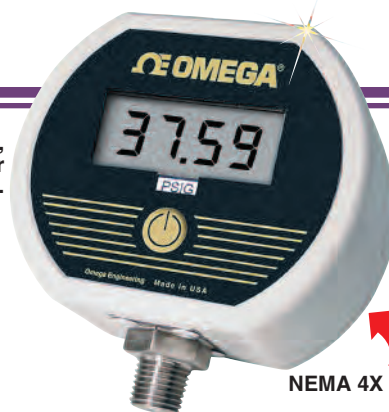
# MIN/MAX DIGITAL PRESSURE GAUGES

DPG5500B-60G,  
\$289, shown smaller  
than actual size.



Aluminum Case

DPG3500B-60G,  
\$319, shown smaller  
than actual size.



NEMA 4X Case

## CONTROLS AND FUNCTIONS (FRONT PUSHBUTTON TURNS THE GAUGE ON OR OFF AND CYCLES THROUGH OTHER FUNCTIONS)

FUNCTION	PUSHBUTTON	PROMPT (Release Button)	RESULT
On	Press 1 sec	Gauge range/display test	Actual pressure
On with Zero	Press/hold	0000	Actual pressure
Hi Reading	Press/hold	HI	Hi & max reading
Lo Reading	Press/hold	LO	Lo & min reading
Normal Read	Press/hold	AP	Actual pressure
Clear Hi/Lo	Press/hold	HI/LO/AP>clr	Actual pressure
Off	Press/hold	HI/LO/AP>clr>OFF	Gauge off

**MOST POPULAR MODELS HIGHLIGHTED!**

### To Order (Specify Model Number)

RANGE/ RESOLUTION/ MODELS	MODEL NO. BASIC MODELS	PRICE	MODEL NO. BACKLIT MODELS	PRICE	MODEL NO. NEMA 4X (IP66)	PRICE
0 to 3.000 psig	DPG5500B-03G	\$289	DPG5600B-03G	\$319	DPG3500B-03G	\$319
0 to 5.000 psig	DPG5500B-05G	289	DPG5600B-05G	319	DPG3500B-05G	319
0 to 15.00 psig Vac	DPG5500B-15VAC	289	DPG5600B-15VAC	319	DPG3500B-15VAC	319
0 to 15.00 psig	DPG5500B-15G	289	DPG5600B-15G	319	DPG3500B-15G	319
0 to 30.00 psig	DPG5500B-30G	289	DPG5600B-30G	319	DPG3500B-30G	319
0 to 60.00 psig	DPG5500B-60G	289	DPG5600B-60G	319	DPG3500B-60G	319
0 to 100.0 psig	DPG5500B-100G	289	DPG5600B-100G	319	DPG3500B-100G	319
0 to 200.0 psig	DPG5500B-200G	289	DPG5600B-200G	319	DPG3500B-200G	319
0 to 300.0 psig	DPG5500B-300G	289	DPG5600B-300G	319	DPG3500B-300G	319
0 to 500.0 psig	DPG5500B-500G	289	DPG5600B-500G	319	DPG3500B-500G	319
0 to 1000 psig	DPG5500B-1KG	289	DPG5600B-1KG	319	DPG3500B-1KG	319
0 to 2000 psig	DPG5500B-2KG	289	DPG5600B-2KG	319	DPG3500B-2KG	319
0 to 30.00 inHg Vac	DPG5500B-30INHGvac	289	DPG5600B-30INHGvac	319	DPG3500B-30INHGvac	319
30.00 mmHg to 100.0 psig	DPG5500B-30V100G	309	DPG5600B-30V100G	339	DPG3500B-30V100G	339
0 to 15.00 psia	DPG5500B-15A	309	DPG5600B-15A	339	DPG3500B-15A	339
0 to 30.00 psia	DPG5500B-30A	309	DPG5600B-30A	339	DPG3500B-30A	339
0 to 760.0 torr abs	DPG5500B-760TORRA	309	DPG5600B-760TORRA	339	DPG3500B-760TORRA	339
0 to 85.0 inH <sub>2</sub> Og	DPG5500B-85INH2OG	309	DPG5600B-85INH2OG	339	DPG3500B-85INH2OG	339
0 to 140.0 inH <sub>2</sub> Og	DPG5500B-140INH2OG	309	DPG5600B-140INH2OG	339	DPG3500B-140INH2OG	339
0 to 1.000 barg	DPG5500B-1BARG	309	DPG5600B-1BARG	339	DPG3500B-1BARG	339
0 to 7.000 barg	DPG5500B-7BARG	309	DPG5600B-7BARG	339	DPG3500B-7BARG	339
0 to 14.00 barg	DPG5500B-14BARG	309	DPG5600B-14BARG	339	DPG3500B-14BARG	339

Comes complete with operator's manual.

**Ordering Examples:** DPG5500B-30G, 0 to 30.00 psig, 1/4 NPT lower fitting, battery powered, min/max/zero, \$289.

DPG5600B-30G, 0 to 30.00 psig with 1/4 NPT lower fitting, battery powered, with a backlit display, min/max/zero, \$319.

DPG3500B-30G, 0 to 30.00 psig, 1/4 NPT lower fitting, battery powered, min/max/zero, NEMA 4X (IP66) housing, \$319.



#### UNITED STATES

[www.omega.com](http://www.omega.com)  
1-800-TC-OMEGA  
Stamford, CT.

#### CANADA

[www.omega.ca](http://www.omega.ca)  
Laval(Quebec)  
1-800-TC-OMEGA

#### GERMANY

[www.omega.de](http://www.omega.de)  
Deckenpfronn, Germany  
0800-8266342

#### UNITED KINGDOM

[www.omega.co.uk](http://www.omega.co.uk)  
Manchester, England  
0800-488-488

#### FRANCE

[www.omega.fr](http://www.omega.fr)  
Guyancourt, France  
088-466-342

#### CZECH REPUBLIC

[www.omegaeng.cz](http://www.omegaeng.cz)  
Karviná, Czech Republic  
596-311-899

#### BENELUX

[www.omega.nl](http://www.omega.nl)  
Amstelveen, NL  
0800-099-33-44



## More than 100,000 Products Available!

### • Temperature

Calibrators, Connectors, General Test and Measurement Instruments, Glass Bulb Thermometers, Handheld Instruments for Temperature Measurement, Ice Point References, Indicating Labels, Crayons, Cements and Lacquers, Infrared Temperature Measurement Instruments, Recorders Relative Humidity Measurement Instruments, RTD Probes, Elements and Assemblies, Temperature & Process Meters, Timers and Counters, Temperature and Process Controllers and Power Switching Devices, Thermistor Elements, Probes and Assemblies, Thermocouples Thermowells and Head and Well Assemblies, Transmitters, Wire

### • Flow and Level

Air Velocity Indicators, Doppler Flowmeters, Level Measurement, Magnetic Flowmeters, Mass Flowmeters, Pitot Tubes, Pumps, Rotameters, Turbine and Paddle Wheel Flowmeters, Ultrasonic Flowmeters, Valves, Variable Area Flowmeters, Vortex Shedding Flowmeters

### • pH and Conductivity

Conductivity Instrumentation, Dissolved Oxygen Instrumentation, Environmental Instrumentation, pH Electrodes and Instruments, Water and Soil Analysis Instrumentation

### • Data Acquisition

Auto-Dialers and Alarm Monitoring Systems, Communication Products and Converters, Data Acquisition and Analysis Software, Data Loggers Plug-in Cards, Signal Conditioners, USB, RS232, RS485 and Parallel Port Data Acquisition Systems, Wireless Transmitters and Receivers

### • Pressure, Strain and Force

Displacement Transducers, Dynamic Measurement Force Sensors, Instrumentation for Pressure and Strain Measurements, Load Cells, Pressure Gauges, Pressure Reference Section, Pressure Switches, Pressure Transducers, Proximity Transducers, Regulators, Strain Gages, Torque Transducers, Valves

### • Heaters

Band Heaters, Cartridge Heaters, Circulation Heaters, Comfort Heaters, Controllers, Meters and Switching Devices, Flexible Heaters, General Test and Measurement Instruments, Heater Hook-up Wire, Heating Cable Systems, Immersion Heaters, Process Air and Duct, Heaters, Radiant Heaters, Strip Heaters, Tubular Heaters