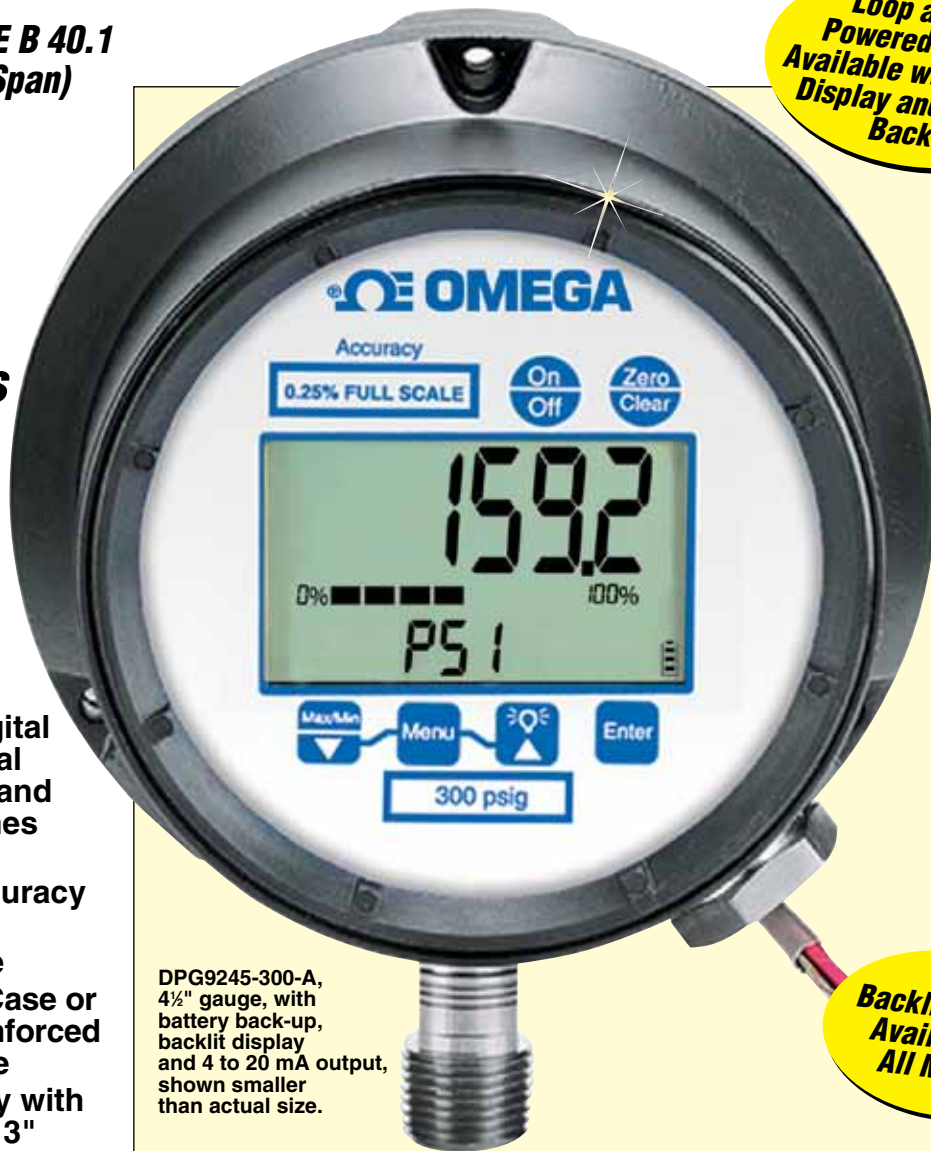


INDUSTRIAL DIGITAL PRESSURE GAUGES

DC-, LOOP-, OR BATTERY-POWERED MODELS

All Models Meet ASME B 40.1
Grade 3A ($\pm 0.25\%$ of Span)
Accuracy
3 or 4½" Gauges

DPG9000 Series



Loop and DC
Powered Models
Available with Backlit
Display and Battery
Backup

- ✓ A Multifunction Digital Gauge with Optional 4 to 20 mA Output and 1 or 2 SPDT Switches
- ✓ $\pm 0.25\%$ of Span Terminal Point Accuracy
- ✓ NEMA 4 (IP65) Weatherproof Case
- ✓ 3" Stainless Steel Case or 4½" Fiberglass-Reinforced Thermoplastic Case
- ✓ Extra-Large Display with Bar Graph (0.6" on 3" Case, 0.88" on 4½" Case)
- ✓ Min/Max Readings
- ✓ Easy-to-Use Menu Options (All Password Protected):
 - 5 Backlit Display Options
 - 10 Engineering Units
 - Menu-Configure Feature
 - Update Rate
 - Dampen Rate
 - Auto-Off
- ✓ 10 User-Selectable Engineering Units
- ✓ Backlit Display Available

DPG9245-300-A, 4½" gauge, with battery back-up, backlit display and 4 to 20 mA output, shown smaller than actual size.

Backlit Display Available on All Models

SPECIFICATIONS

Accuracy: $\pm 0.25\%$ of span, terminal point (0.13% BFSL)
Case Size: 76 mm (3"), 114 mm (4.5")
Case Material: 3" stainless steel, 4.5" fiberglass-reinforced thermoplastic
Case Encl. Rating: Weatherproof, NEMA 4 (IP65)
Wetted Materials: 17-4 SS (sensor), 316 SS (socket)
Socket Size: Standard ¼ NPT
Custom: ½ NPT, JIS, DIN, SAE, (½ NPT only with 4.5" case, others on application). Consult Engineering to order custom socket.

Socket Connection: Lower (standard); 3, 9 and 12 o'clock optional

Operating Temp: 10 to 60°C (14 to 140°F)

Temp Error: (Zero and span) 0.08%/°C (0.04%/°F) (<0.04%°C typical)

Storage Temp: -20 to 70°C (-4 to 158°F)

Display: 5-digit LCD

Character Height:

3" Case: 15 mm (0.60")

4.5" Case: 22 mm (0.88")

Backlite: Standard

Bar Graph: Standard

Battery Life: 3" >1000 hr, 4.5" > 3600 hr

INDUSTRIAL DIGITAL PRESSURE GAUGES DC-, LOOP-, OR BATTERY-POWERED MODELS

Keypad Functions:

On/Off: Manually turns unit on and off (auto-off options in menu)

Zero/Clear: Zeros display or clears minimum and maximum values when displayed

Minimum/Maximum (Down) Arrow Key:

Stores minimum and maximum values, arrow key allows for scrolling menu items

Menu Key: Provides access to menu options

Backlit (Up) Arrow Key

Manually turns backlight on and off (auto-off options in menu); arrow key allows for 5 menu options.

(Up) arrow key allows for scrolling menu options.

Enter: Selects items in the menu

Menu Mode:

Engineering Units: 10 units of measurement are available: psi, inH₂O (with three temp options: 20°C, 60°F, 4°C), ftH₂O, mPa, mbar, kPa, kg/cm², bar, inHg and mmHg

Configuration Mode: (Config) Allows for changes to default settings of gauge, including zero disable feature

Bar Graph: (Graph) Allows for adjustment of bar graph and 4 to 20 mA (optional feature)

Auto Off (5 Options): (Off) allows for changes to auto-off of gauge: never, 2 minutes, 5 minutes, 15 minutes, 30 minutes

Update Rate (4 Options): (Update) 100 ms, 200 ms, 500 ms, 1 s

Dampening (6 Options): (Damp) None, average, 2, 4, 6, 8 times per 100 ms

Backlite (5 Options): Never, 10 s, 30 s, 1 min, 5 min

Field Recalibration: Allows for recalibration of zero, midscale and span (password protected)

Power Options:

DC Power: 12 to 36 Vdc, 2 VA maximum

Loop Power: 12 to 36 Vdc

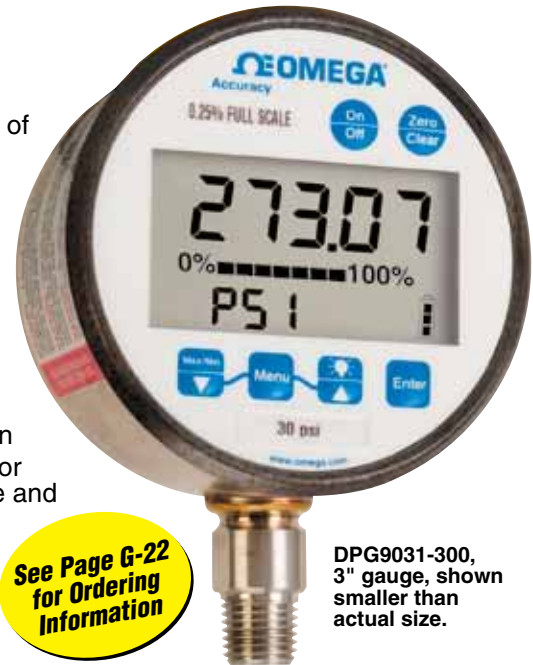
Electrical Rating on

Optional Switch:

(Option S1 or S2 DPG9200 series only) (1) or (2) SPDT switches; 30 Vdc 1 A maximum, 125 Vac 5 A (switches adjustable to 100% of range)

Backlit Display: Models 9x30 and 9x45

Battery Back-Up: Models 9130, 9230, 9145, 9245



DPG9031-300, 3" gauge, shown smaller than actual size.

Six Styles to Fit All Your Application Needs!

Power	4½" Case	3" Case
Battery	DPG904x	DPG903x
Loop	DPG914x	DPG913x
DC	DPG924x	DPG923x

User-Selectable Units*

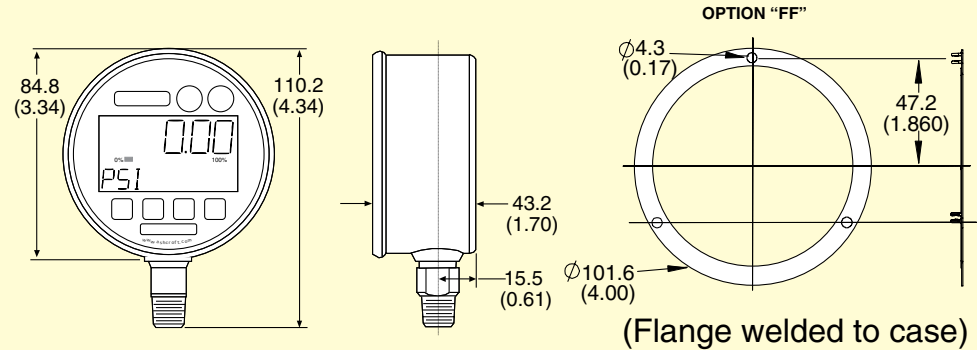
psi	inHg (Vacuum)	Comp. (psi)	mmHg (Pressure)	inHg (Pressure)	inH ₂ O	mbar	ftH ₂ O	MPa	kPa	bar/KSC
15	30	Vac/15	800	30	400	1000	60	1.0	100	1.0
30		Vac/30	1000	60	800	1500	160	1.6	160	1.6
60		Vac/60	2000	100	1000	2000	200	2.5	250	2.5
100		Vac/100	3000	160		2500	300	4	400	4
160			5000	200		4000	400	6	600	6
200			10,000	300		5000	600	10	1000	10
300				400		6000	1000	16	1600	16
600				600		10,000		25	2500	25
800				800		15,000		40	4000	40
1000						20,000		60	6000	60
1500								100	10,000	100
2000								160	16,000	160
3000									25,000	250
5000									40,000	400
8000									60,000	600
10,000									100,000	1000
15,000										
20,000										

INDUSTRIAL DIGITAL PRESSURE GAUGES DC-, LOOP-, OR BATTERY-POWERED MODELS

INDUSTRIAL DIGITAL GAUGE DIMENSION DRAWINGS

Dimensions: mm (inch) Ø = diameter

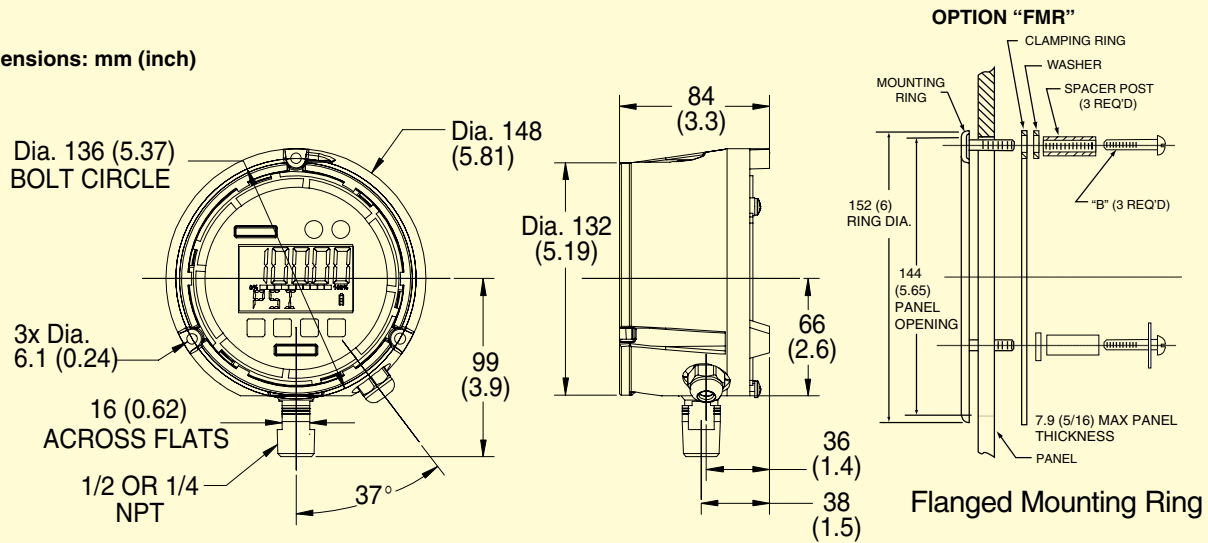
DPG903x (battery), DPG913x (loop), DPG923x (DC), 3" stainless steel case



INDUSTRIAL DIGITAL GAUGE DIMENSION DRAWINGS

DPG904x (battery), DPG914x (loop), DPG924x (DC), 4 1/2" fiberglass-reinforced thermoplastic case

Dimensions: mm (inch)



ORDER SUFFIX	DESCRIPTION
-A	4 to 20 mA output (DPG9200 series only)
-S1	1 SPDT switch (DPG9200 series only)
-S2	2 SPDT switches (DPG9200 series only)
-X6B	Cleaned for oxygen service
-RB	Protective rubber boot (black) (3" only)
-FC	Protective front cover (SS) (3" only)
-FF	Welded flush mount flange (3" only)
-FMR	Flanged mounting ring (4" only)

ACCESSORY

MODEL NUMBER	DESCRIPTION
DPG7000-ABS-CASE	Weatherproof ABS carrying case (3" only)

* Order psi range closest to the full scale range of the units desired. The units selection is programmable via the front-panel buttons.

INDUSTRIAL DIGITAL PRESSURE GAUGES DC-, LOOP-, OR BATTERY-POWERED MODELS

To Order			
3" CASE	4½" CASE	RANGE	
		psig	bar
BATTERY POWERED MODELS - ¼ NPT LOWER CONNECTION			
DPG903[*]-VAC	DPG904[*]-VAC	0 to -14.7	0 to -1
DPG903[*]-VAC/15	DPG904[*]-VAC/15	-14.7 to 15	-1 to 1
DPG903[*]-VAC/30	DPG904[*]-VAC/30	-14.7 to 30	-1 to 2
DPG903[*]-15	DPG904[*]-15	0 to 15	0 to 1
DPG903[*]-30	DPG904[*]-30	0 to 30	0 to 2
DPG903[*]-60	DPG904[*]-60	0 to 60	0 to 4
DPG903[*]-100	DPG904[*]-100	0 to 100	0 to 7
DPG903[*]200	DPG904[*]200	0 to 200	0 to 13
DPG903[*]-300	DPG904[*]-300	0 to 300	0 to 20
DPG903[*]-600	DPG904[*]-600	0 to 600	0 to 41
DPG903[*]-1K	DPG904[*]-1K	0 to 1000	0 to 69
DPG903[*]-2K	DPG904[*]-2K	0 to 2000	0 to 138
DPG903[*]-3K	DPG904[*]-3K	0 to 3000	0 to 207
DPG903[*]-5K	DPG904[*]-5K	0 to 5000	0 to 345
DPG903[*]-10K	DPG904[*]-10K	0 to 10,000	0 to 690
3" CASE	4½" CASE	RANGE	
		psig	bar
LOOP POWERED MODELS - ¼ NPT Lower Connection			
DPG913[*]-VAC	DPG914[*]-VAC	0 to -14.7	0 to -1
DPG913[*]-VAC/15	DPG914[*]-VAC/15	-14.7 to 15	-1 to 1
DPG913[*]-VAC/30	DPG914[*]-VAC/30	-14.7 to 30	-1 to 2
DPG913[*]-15	DPG914[*]-15	0 to 15	0 to 1
DPG913[*]-30	DPG914[*]-30	0 to 30	0 to 2
DPG913[*]-60	DPG914[*]-60	0 to 60	0 to 4
DPG913[*]-100	DPG914[*]-100	0 to 100	0 to 7
DPG913[*]200	DPG914[*]200	0 to 200	0 to 13
DPG913[*]-300	DPG914[*]-300	0 to 300	0 to 20
DPG913[*]-600	DPG914[*]-600	0 to 600	0 to 41
DPG913[*]-1K	DPG914[*]-1K	0 to 1000	0 to 69
DPG913[*]-2K	DPG914[*]-2K	0 to 2000	0 to 138
DPG913[*]-3K	DPG914[*]-3K	0 to 3000	0 to 207
DPG913[*]-5K	DPG914[*]-5K	0 to 5000	0 to 345
DPG913[*]-10K	DPG914[*]-10K	0 to 10,000	0 to 690
3" CASE	4½" CASE	RANGE	
		psig	bar
DC POWERED MODELS - ¼ NPT LOWER CONNECTION			
DPG923[*]-VAC	DPG924[*]-VAC	0 to -14.7	0 to -1
DPG923[*]-VAC/15	DPG924[*]-VAC/15	-14.7 to 15	-1 to 1
DPG923[*]-VAC/30	DPG924[*]-VAC/30	-14.7 to 30	-1 to 2
DPG923[*]-15	DPG924[*]-15	0 to 15	0 to 1
DPG923[*]-30	DPG924[*]-30	0 to 30	0 to 2
DPG923[*]-60	DPG924[*]-60	0 to 60	0 to 4
DPG923[*]-100	DPG924[*]-100	0 to 100	0 to 7
DPG923[*]200	DPG924[*]200	0 to 200	0 to 13
DPG923[*]-300	DPG924[*]-300	0 to 300	0 to 20
DPG923[*]-600	DPG924[*]-600	0 to 600	0 to 41
DPG923[*]-1K	DPG924[*]-1K	0 to 1000	0 to 69
DPG923[*]-2K	DPG924[*]-2K	0 to 2000	0 to 138
DPG923[*]-3K	DPG924[*]-3K	0 to 3000	0 to 207
DPG923[*]-5K	DPG924[*]-5K	0 to 5000	0 to 345
DPG923[*]-10K	DPG924[*]-10K	0 to 10,000	0 to 690

[*] 3" Gauges: Insert "1" for base model or "0" for backlit display model, 4½" Gauges: Insert "6" for base model or "5" for backlit display model.

Ordering Examples: DPG9131-100, 3" loop powered gauge, ¼ NPT lower fitting, 0 to 100 psi range.

DPG9045-300, 4½" battery powered gauge, ¼ NPT lower fitting, 0 to 300 psi range, with backlit display.

DPG9245-1K-A, 4½" DC powered gauge, ¼ NPT lower fitting, 0 to 1000 psi range, with backlit display and 4 to 20 mA output.