

BOTTOM MOUNTING PLATES FOR LC1001/LC1011 SERIES LOAD CELLS ALLOY STEEL OR 17-4 PH STAINLESS STEEL

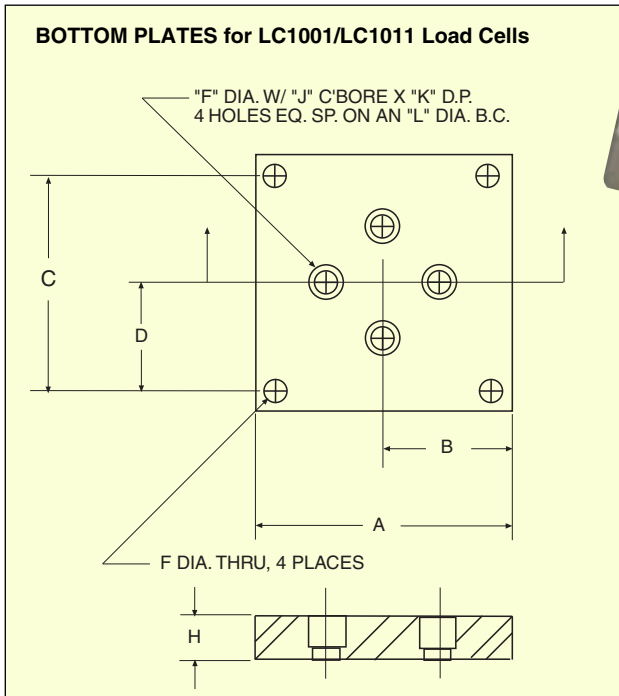
LC1001/LC1011 Series Bottom Mounting Plates for Ranges 500 lb to 300,000 lb 227 kg to 136,116 kg

1 Newton = 0.2248 lb
1 daNewton = 10 Newtons
1 lb = 454 g
1 t = 1000 kg = 2204 lb

Starts at
\$48



LC1000-BP4,
base plates, \$48, shown
smaller than actual size.



LC1011-5K, \$895,
load cell, shown smaller
than actual size.

MOST POPULAR MODELS HIGHLIGHTED!

| To Order (Specify Model Number) | | | | | Dimensions: mm (in) | | | | | | | | |
|---------------------------------|-----------------|-------|--------------------|-------|---------------------|---------------|---------------|--------------|--------------|---------------|---------------|--------------|---------------|
| CAPACITY lb (kg) | PLATED STEEL | PRICE | STAINLESS STEEL | PRICE | A | B | C | D | F | H | J | K | L |
| 500 to 50K (227 to 22,686) | LC1000-BP4 | \$48 | LC1000-BP4-SS | \$80 | 114 (4.50) | 57 (2.25) | 95 (3.75) | 46 (1.88) | 10 (0.41) | 19 (0.750) | 16 (0.625) | 15 (0.59) | 60 (2.38) |
| 100K (45,372) | LC1000-BP6 | 68 | LC1000-BP6-SS | 140 | 152 (6.00) | 76 (3.00) | 121 (4.75) | 60 (2.38) | 13 (0.53) | 25 (1.00) | 20 (0.77) | 18 (0.72) | 102 (4.00) |
| 200K (90,944) | LC1000-BP8 | 126 | LC1000-BP8-SS | 260 | 203 (8.00) | 102 (4.00) | 171 (6.75) | 86 (3.38) | 17 (0.66) | 32 (1.25) | 25 (1.00) | 22 (0.88) | 140 (5.50) |
| 300K (136,116) | LC1000-BP9 | 146 | N/A | | 229 (9.00) | 114 (4.50) | 191 (7.50) | 95 (3.75) | 20 (0.78) | 38 (1.50) | 30 (1.19) | 27 (1.06) | 140 (5.50) |

Ordering Examples: LC1000-BP4-SS, stainless steel base plate for LC1001/LC1011 load cells, 500 to 50K lb range, \$80. LC1000-BP6, nickel-plated steel base plate for LC1001/LC1011 load cells, 100,000 lb range, \$68. LC1000-BP9, nickel-plated steel base plate for LC1001/LC1011 load cells, 300,000 lb range, \$146.

ACCESSORY

| MODEL NO. | PRICE | DESCRIPTION |
|-----------|-------|---|
| ME-1810 | \$50 | Reference Book: Material and Design (Material Solution) |





UNITED STATES

www.omega.com
1-800-TC-OMEGA
Stamford, CT.

CANADA

www.omega.ca
Laval(Quebec)
1-800-TC-OMEGA

GERMANY

www.omega.de
Deckenpfronn, Germany
0800-8266342

UNITED KINGDOM

www.omega.co.uk
Manchester, England
0800-488-488

FRANCE

www.omega.fr
Guyancourt, France
088-466-342

CZECH REPUBLIC

www.omegaeng.cz
Karviná, Czech Republic
596-311-899

BENELUX

www.omega.nl
Amstelveen, NL
0800-099-33-44



More than 100,000 Products Available!

• Temperature

Calibrators, Connectors, General Test and Measurement Instruments, Glass Bulb Thermometers, Handheld Instruments for Temperature Measurement, Ice Point References, Indicating Labels, Crayons, Cements and Lacquers, Infrared Temperature Measurement Instruments, Recorders Relative Humidity Measurement Instruments, RTD Probes, Elements and Assemblies, Temperature & Process Meters, Timers and Counters, Temperature and Process Controllers and Power Switching Devices, Thermistor Elements, Probes and Assemblies, Thermocouples Thermowells and Head and Well Assemblies, Transmitters, Wire

• Flow and Level

Air Velocity Indicators, Doppler Flowmeters, Level Measurement, Magnetic Flowmeters, Mass Flowmeters, Pitot Tubes, Pumps, Rotameters, Turbine and Paddle Wheel Flowmeters, Ultrasonic Flowmeters, Valves, Variable Area Flowmeters, Vortex Shedding Flowmeters

• pH and Conductivity

Conductivity Instrumentation, Dissolved Oxygen Instrumentation, Environmental Instrumentation, pH Electrodes and Instruments, Water and Soil Analysis Instrumentation

• Data Acquisition

Auto-Dialers and Alarm Monitoring Systems, Communication Products and Converters, Data Acquisition and Analysis Software, Data Loggers Plug-in Cards, Signal Conditioners, USB, RS232, RS485 and Parallel Port Data Acquisition Systems, Wireless Transmitters and Receivers

• Pressure, Strain and Force

Displacement Transducers, Dynamic Measurement Force Sensors, Instrumentation for Pressure and Strain Measurements, Load Cells, Pressure Gauges, Pressure Reference Section, Pressure Switches, Pressure Transducers, Proximity Transducers, Regulators, Strain Gages, Torque Transducers, Valves

• Heaters

Band Heaters, Cartridge Heaters, Circulation Heaters, Comfort Heaters, Controllers, Meters and Switching Devices, Flexible Heaters, General Test and Measurement Instruments, Heater Hook-up Wire, Heating Cable Systems, Immersion Heaters, Process Air and Duct, Heaters, Radiant Heaters, Strip Heaters, Tubular Heaters