

HEAVY-DUTY CONSTANT MOMENT BEAM LOAD CELLS

STANDARD AND METRIC MODELS

Tension/Compression
50 to 10,000 lb
23 to 4537 kgf

LC602/LCM602 Series



- ✓ 5 Point NIST Traceable Calibration with 59 Ω Short Data
- ✓ 0.25% Interchangeability for Scale Applications
- ✓ High-Quality Stainless Steel Construction
- ✓ Environmentally Sealed IP65

The LC602/LCM602 Series comprises heavy-duty load cells designed for industrial weighing and scale applications. They are highly accurate, rugged load cells that are economically designed.



STANDARD
 LC602-5K shown
 approximately 50% of
 actual size.

SPECIFICATIONS

Excitation: 10 Vdc (15V maximum)

Output:

≤500 lb/250 kgf: 2 mV/V

>500 lb/250 kgf: 3 mV/V ±0.25 % FSO

5-Point Calibration (in Compression):

0%, 50%, 100%, 50%, 0%

Linearity: ±0.03% FSO

Hysteresis:

≤500 lb/250 kgf: ±0.05% FSO

>500 lb/250 kgf: ±0.03% FSO

Repeatability: ±0.02% FSO

Zero Balance: ±1.0% FSO

Operating Temp Range:

-34 to 82°C (-30 to 180°F)

Compensated Temp Range:

16 to 71°C (60 to 160°F)

Thermal Effects:

Zero: ±0.002% FSO/°F

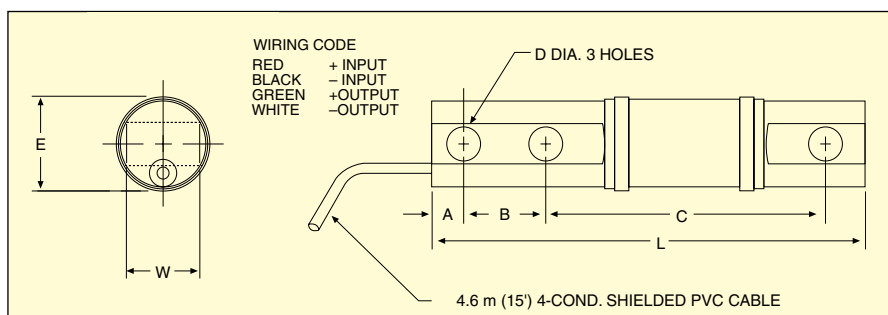
Span: ±0.001% FSO/°F

Safe Overload: 150% of capacity

Ultimate Overload: 300% of capacity

Input Resistance: 350 Ω minimum

Protection Class: IP65



Dimensions: mm (inch)

CAPACITY	L	E	W	A	B	C	D
50 to 100 lb	152	35	27	9.3	22	108	7.9
25 to 50 kgf	(6.00)	(1.37)	(1.06)	(0.37)	(0.875)	(4.25)	(0.31)
250 to 2000 lb	169	35	27	13	29	108	13
250 to 750 kgf	(6.66)	(1.37)	(1.06)	(0.50)	(1.13)	(4.25)	(0.53)
2500 lb	289	57	32	13	44	210	13
1000 kgf	(11.38)	(2.25)	(1.25)	(0.50)	(1.75)	(8.25)	(0.53)
5000 to 10,000 lb	323	95	70	19	51	216	20
2500 to 5000 kgf	(12.75)	(3.75)	(2.75)	(0.75)	(2.00)	(8.50)	(0.78)

Output Resistance: 350 ±10 Ω

Full Scale Deflection:

0.010 to 0.015" typical

Construction: Stainless steel

Electrical: 4.6 m (15') PVC insulated, 4-conductor shielded color-coded cable

HIGH PERFORMANCE METER



DP41-B shown smaller than actual size.

DP41-B

- ✓ Universal Inputs
- ✓ $\pm 0.005\%$ Rdg Accuracy
- ✓ 6-Digit Color-Changing LED Display
- ✓ Up to 166 Readings per Second
- ✓ Optional Ethernet or RS232/RS485

To Order			
CAPACITY		MODEL NO.	COMPATIBLE METERS*
lb	kgf		
STANDARD MODELS			
50	23	LC602-50	DP41-B, DP41-S, DP25B-S
100	45	LC602-100	DP41-B, DP41-S, DP25B-S
250	114	LC602-250	DP41-B, DP41-S, DP25B-S
500	227	LC602-500	DP41-B, DP41-S, DP25B-S
1000	455	LC602-1K	DP41-B, DP41-S, DP25B-S
1500	682	LC602-1.5K	DP41-B, DP41-S, DP25B-S
2000	909	LC602-2K	DP41-B, DP41-S, DP25B-S
2500	1134	LC602-2.5K	DP41-B, DP41-S, DP25B-S
5000	2269	LC602-5K	DP41-B, DP41-S, DP25B-S
7500	3403	LC602-7.5	DP41-B, DP41-S, DP25B-S
10,000	4537	LC602-10K	DP41-B, DP41-S, DP25B-S
METRIC MODELS			
55	25	LCM602-25	DP41-B, DP41-S, DP25B-S
110	50	LCM602-50	DP41-B, DP41-S, DP25B-S
551	250	LCM602-250	DP41-B, DP41-S, DP25B-S
1102	500	LCM602-500	DP41-B, DP41-S, DP25B-S
1653	750	LCM602-750	DP41-B, DP41-S, DP25B-S
2205	1000	LCM602-1K	DP41-B, DP41-S, DP25B-S
5512	2500	LCM602-2.5K	DP41-B, DP41-S, DP25B-S
11,023	5000	LCM602-5K	DP41-B, DP41-S, DP25B-S

Comes complete with 5-point NIST-traceable calibration and 59 k Ω shunt data.

* Visit us online for compatible meters.

Ordering Examples: LC602-250, 250 lb capacity load cell.

LCM602-250, 250 kgf capacity load cell.

ECONOMICAL BENDING BEAM LOAD CELLS

Bi-directional
0-1 kgf to 0-5 kgf
0-2.2 lb to 0-11 lb

LCEA Series

- ✓ Economical Design— Ideal for OEM Use
- ✓ All-Aluminum Construction
- ✓ 1, 2, and 5 kg Ranges

SPECIFICATIONS

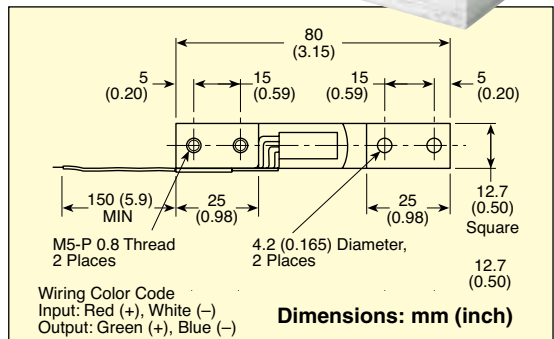
Output: 0.5 mV/V $\pm 10\%$
 (end user must calibrate to eliminate 10%)

Excitation: 5 Vdc (8 Vdc maximum)

Non-Linearity: 0.5% full scale

LCEA-2KG shown actual size.

Hysteresis: 0.3% FS
Zero Balance: ± 1 mV/V
Bridge Resistance: 350 Ω
Construction: Aluminum with acrylic resin protective coating
Operating Temperature: -10 to 80°C (14 to 176°F)
Compensated Temperature: 0 to 65°C (32 to 140°F)
Temp Effect:
Zero: $\pm 0.1\%$ full scale /°C
Span: $\pm 0.1\%$ rdg/°C
Safe Overload: 200% full scale
Lead Wire: 6", 30 AWG, pigtail leads



To Order			
CAPACITY		MODEL NO.	COMPATIBLE METERS*
kgf	lb		
1	2.2	LCEA-1KG	DP25B-S, DP41-S, DP87
2	4.4	LCEA-2KG	DP25B-S, DP41-S, DP87
5	11	LCEA-5KG	DP25B-S, DP41-S, DP87

* Visit us online for compatible meters.

Ordering Example: LCEA-2KG, 2 kgf load cell.