

# COMPACT THROUGH-HOLE LOAD CELLS 2.50" OD

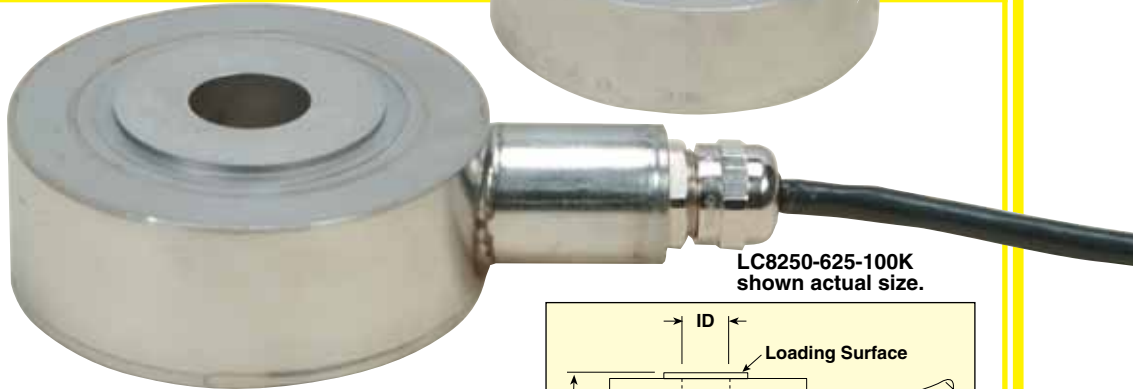
LC8250-375-3K  
shown smaller than  
actual size.



## Compression

**0-1000 lb to 0-100,000 lb**  
**0-455 kgf to 0-45,372 kgf**

1 Newton = 0.2248 lb  
1 daNewton = 10 Newtons  
1 lb = 454 g  
1 t = 1000 kgf = 2204 lb



LC8250-625-100K  
shown actual size.

## LC8250 Series

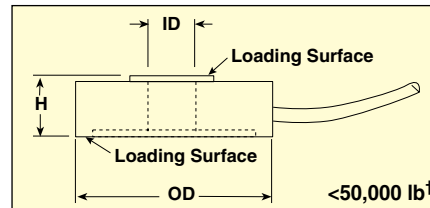


Standard

Dimensions:  
mm (inch)

MODEL	OD	H
LC8250	64 (2.50)	25 (1.0)

WIRE	CONNECTION
GN	+Output
WT	-Output
BK	-Input
RD	+Input



$\dagger$  Units  $>50,000$  lb top and bottom loading surfaces are through the center hub.

**AVAILABLE INSIDE DIAMETERS (ID) + = MOST POPULAR X = AVAILABLE**

ID CODE	250	375	500	625	750	875	938	1.00	1.13	1.25	1.38	1.50
<b>CAPACITY</b>	0.250"	0.375"	0.500"	0.625"	0.750"	0.875"	0.938"	1.00"	1.13"	1.25"	1.38"	1.50"
1000	X	X	X	X	X	X	X	+	X	X	X	X
2000	X	X	X	X	X	X	X	X	X	X	X	X
3000	X	X	X	X	X	X	X	X	X	X	X	X
5000		X	+	X	X	X	X	X	X	X	X	X
7500		X	X	X	X	X	X	X	X	X	X	X
10,000		X	X	X	X	X	X	+	X	X	X	X
15,000			+	X	X	X	X	X				
20,000			+	X	X	X	X	+				
30,000			+	X	X	X	X	+				
40,000			X	X	X	X	X	X				
50,000			X	X	X	X	X	+				
75,000			X	X	X	X	X	X				
100,000			+	X	X	X	X	X				

Also available in metric configurations, consult engineering for details.

- Low Profile
- All Stainless Steel Construction
- Rugged Industrial Design

The LC8250 Series donut load cells are an economical solution to applications requiring a through-hole design. With their extremely low profile and compact design, these load cells are ideal for applications such as clamping forces, bolt loading forces, and other compressive loads. This series, with its all stainless steel construction and environmental protection, has proved reliable in tough industrial applications.

## SPECIFICATIONS

**Output:** 2 mV/V nominal  
**Input:** 10 Vdc (15V maximum)  
**Linearity:**  $\pm 0.5\%$  FSO  
**Repeatability:**  $\pm 0.1\%$  FSO  
**Zero Balance:**  $\pm 2.0\%$  FSO  
**Operating Temp Range:**  
-54 to 121°C (-65 to 250°F)  
**Compensated Temp Range:**  
16 to 71°C (60 to 160°F)  
**Thermal Effects:**  
Zero:  $\pm 0.009\%$  FSO/°C  
Span:  $\pm 0.018\%$  rdg/°C

**Safe Overload:** 150% of capacity  
**Ultimate Overload:** 300% of capacity  
**Input Resistance:** 360  $\Omega$  minimum  
**Output Resistance:** 350  $\pm 5 \Omega$   
**Full Scale Deflection:** 0.003" nominal  
**Construction:** 17-4 PH stainless steel  
**Electrical:** 1.5 m (5') 4-conductor shielded cable

## To Order

CAPACITY	MODEL NO.	COMPATIBLE METERS**
<b>Model LC8250 with a 2.50" OD and Selectable ID</b>		
1000 lb	455 kgf	LC8250-[*]-1K DP41-S, DP25B-S, DPiS
2000 lb	909 kgf	LC8250-[*]-2K DP41-S, DP25B-S, DPiS
3000 lb	1361 kgf	LC8250-[*]-3K DP41-S, DP25B-S, DPiS
4000 lb	1815 kgf	LC8250-[*]-4K DP41-S, DP25B-S, DPiS
5000 lb	2269 kgf	LC8250-[*]-5K DP41-S, DP25B-S, DPiS
7500 lb	3403 kgf	LC8250-[*]-7.5K DP41-S, DP25B-S, DPiS
10,000 lb	4537 kgf	LC8250-[*]-10K DP41-S, DP25B-S, DPiS
20,000 lb	9074 kgf	LC8250-[*]-20K DP41-S, DP25B-S, DPiS
30,000 lb	13,612 kgf	LC8250-[*]-30K DP41-S, DP25B-S, DPiS
40,000 lb	18,149 kgf	LC8250-[*]-40K DP41-S, DP25B-S, DPiS
50,000 lb	22,686 kgf	LC8250-[*]-50K DP41-S, DP25B-S, DPiS
75,000 lb	34,029 kgf	LC8250-[*]-75K DP41-S, DP25B-S, DPiS
100,000 lb	45,372 kgf	LC8250-[*]-100K DP41-S, DP25B-S, DPiS

Comes complete with 5-point NIST-traceable calibration and 59 k $\Omega$  shunt data.

\*\* Visit us online for compatible meters.

[\*] Select ID Code from table above to complete model number.

Ordering Examples: LC8250-750-2K, 2000 lb capacity load cell, 0.750" ID.

LC8250-375-7.5K, 7500 lb capacity load cell, 0.375" ID.

LC8250-1.25-10K, 10,000 lb capacity load cell, 1.25" ID.