

ECONOMICAL, OEM-STYLE SINGLE-POINT LOAD CELLS



Single Point
0-0.6 kgf to 0-200 kgf
0-1.3 lb to 0-440 lb

LCAE Series

- ✓ Single-Point Load Cell Simplifies Scale Design and Reduces Cost
- ✓ Moisture Resistant for Use in Damp Environments
- ✓ Aluminum Construction
- ✓ Available in Ranges from 600 g to 200 kg

OMEGA's LCAE Series consists of low-cost, highly accurate, single-point load cells, ideal for OEM applications such as electronic scales and weighing machines. The single-point design is highly resistant to eccentric loading, allowing direct mounting to the scale base and weighing platform. The LCAE Series features a moisture-proof sealant and is available in ranges from 600 g to 200 kgf.

SPECIFICATIONS

Full Scale Output (User Must Calibrate to Eliminate 10% Tolerance): 2 mV/V \pm 10%
(1 mV/V \pm 10% <6 kgf)

Excitation: 10 Vdc (15 Vdc maximum)

Non-Linearity: \pm 0.015% FS (0.02% <6 kgf)

Hysteresis: \pm 0.015% FS (0.02% <6 kgf)

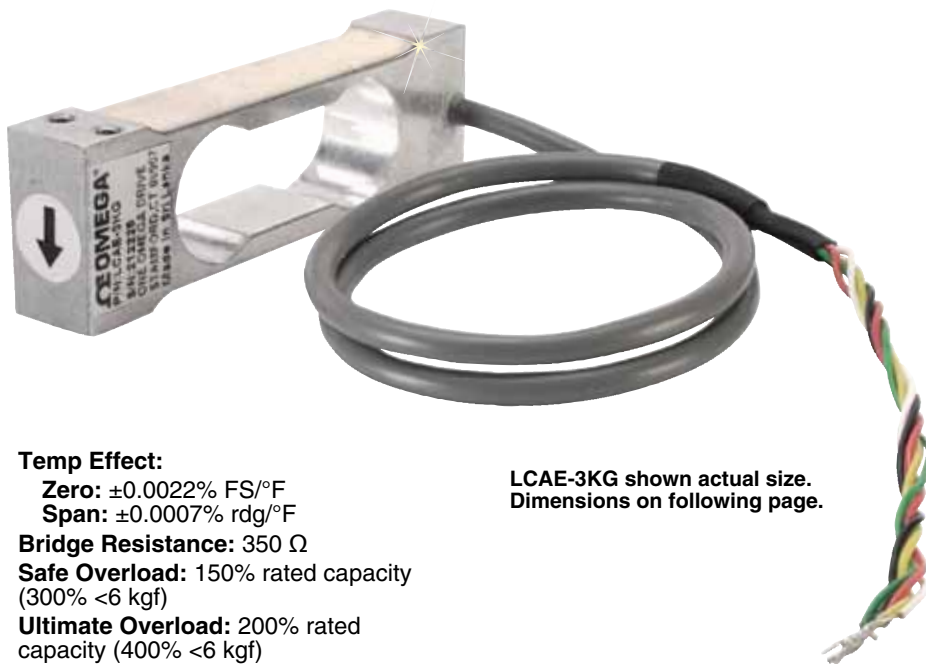
Non-Repeatability: \pm 0.02% FS

Zero Balance: \pm 5% FS

Creep/Creep Recovery: 0.02% FS

Operating Temperature: -10 to 50°C (14 to 122°F)

Compensated Temperature: -10 to 50°C (14 to 122°F)



LCAE-3KG shown actual size. Dimensions on following page.

Temp Effect:

Zero: \pm 0.0022% FS/°F

Span: \pm 0.0007% rdg/°F

Bridge Resistance: 350 Ω

Safe Overload: 150% rated capacity (300% <6 kgf)

Ultimate Overload: 200% rated capacity (400% <6 kgf)

Construction: Aluminum

Dimensions: Shown on next page

Cable: 0.6 m (26") 4-conductor cable

To Order Visit omega.com/lcae for Pricing and Details

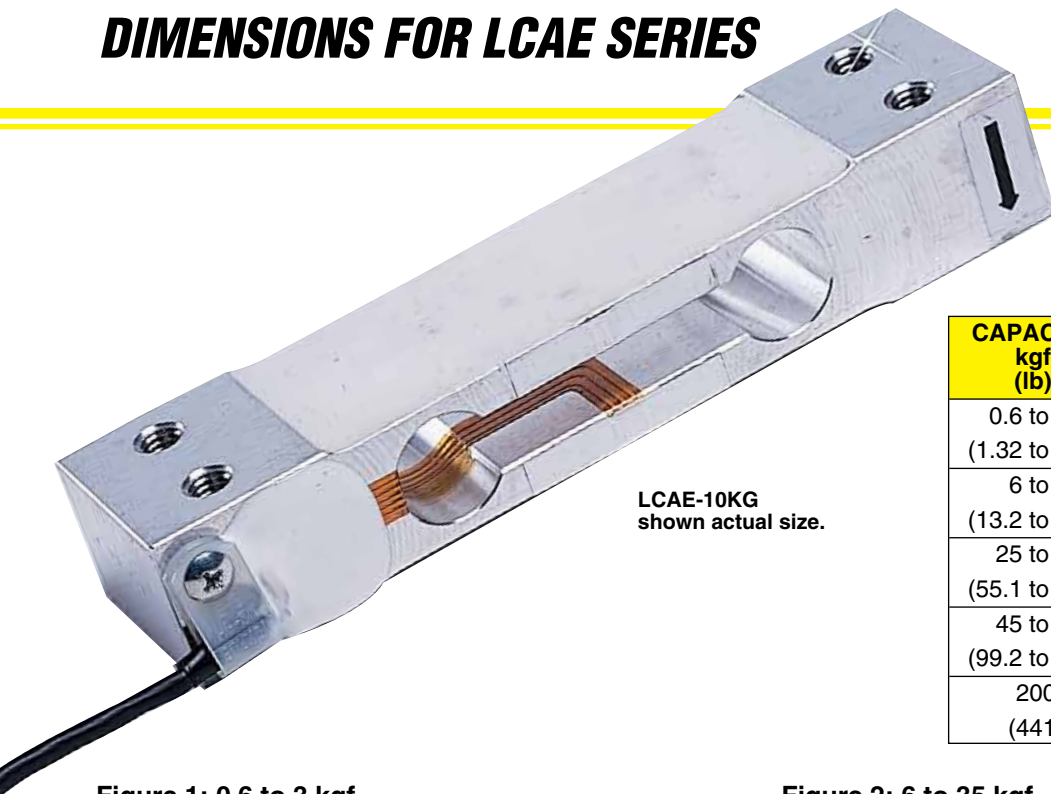
CAPACITY		MODEL NO.	DIMENSIONS†	COMPATIBLE METERS*
lb	kgf			
1.3	0.6	LCAE-600G	Figure 1	DP25B-S, DP41-S, DP87
2.2	1	LCAE-1KG	Figure 1	DP25B-S, DP41-S, DP87
4.4	2	LCAE-2KG	Figure 1	DP25B-S, DP41-S, DP87
6.6	3	LCAE-3KG	Figure 1	DP25B-S, DP41-S, DP87
13	6	LCAE-6KG	Figure 2	DP25B-S, DP41-S, DP87
22	10	LCAE-10KG	Figure 2	DP25B-S, DP41-S, DP87
26	12	LCAE-12KG	Figure 2	DP25B-S, DP41-S, DP87
33	15	LCAE-15KG	Figure 2	DP25B-S, DP41-S, DP87
44	20	LCAE-20KG	Figure 2	DP25B-S, DP41-S, DP87
55	25	LCAE-25KG	Figure 2	DP25B-S, DP41-S, DP87
66	30	LCAE-30KG	Figure 2	DP25B-S, DP41-S, DP87
77	35	LCAE-35KG	Figure 2	DP25B-S, DP41-S, DP87
99	45	LCAE-45KG	Figure 3	DP25B-S, DP41-S, DP87
132	60	LCAE-60KG	Figure 3	DP25B-S, DP41-S, DP87
220	100	LCAE-100KG	Figure 3	DP25B-S, DP41-S, DP87
440	200	LCAE-200KG	Figure 4	DP25B-S, DP41-S, DP87

* See omega.com/meters for compatible meters.

† Dimensional drawings on next page.

Ordering Example: LCAE-100KG, single-point load cell with 100 kilogram capacity.

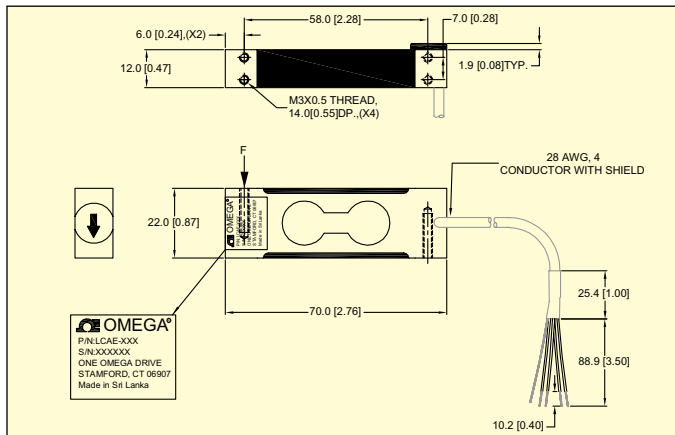
DIMENSIONS FOR LCAE SERIES



LCAE-10KG shown actual size.

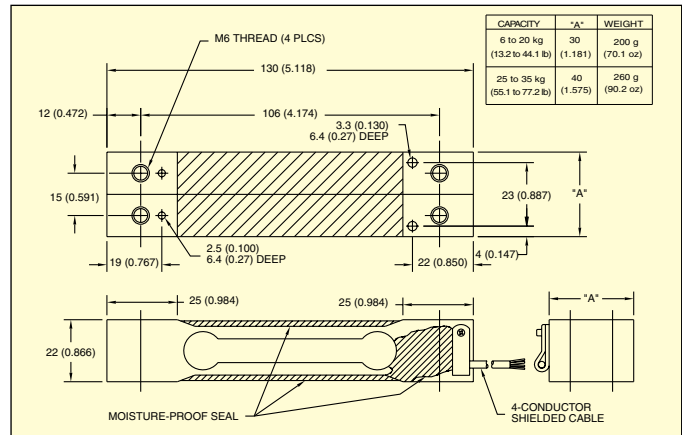
CAPACITY kgf (lb)	WEIGHT g (oz)	MAXIMUM PLATFORM SIZE mm (inch)
0.6 to 3 (1.32 to 6.61)	36 (1.3)	200 x 200 (7.8 x 7.8)
6 to 20 (13.2 to 44.1)	201 (7.1)	300 x 300 (11.8 x 11.8)
25 to 35 (55.1 to 77.2)	261 (9.2)	300 x 300 (11.8 x 11.8)
45 to 100 (99.2 to 221)	320 (11.3)	400 x 400 (15.7 x 15.7)
200 (441)	454 (16)	400 x 400 (15.7 x 15.7)

Figure 1: 0.6 to 3 kgf



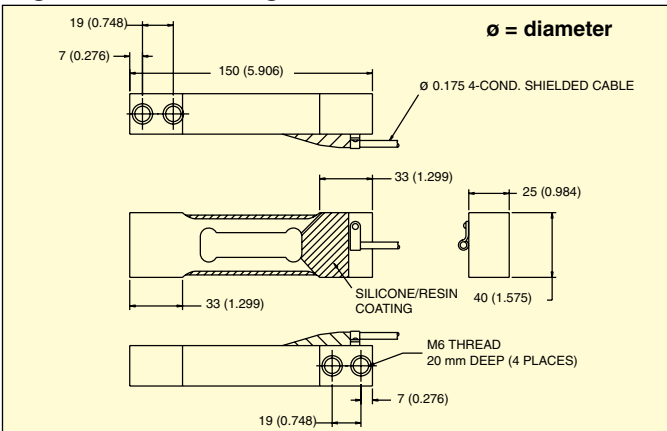
Dimensions: mm (inch)

Figure 2: 6 to 35 kgf



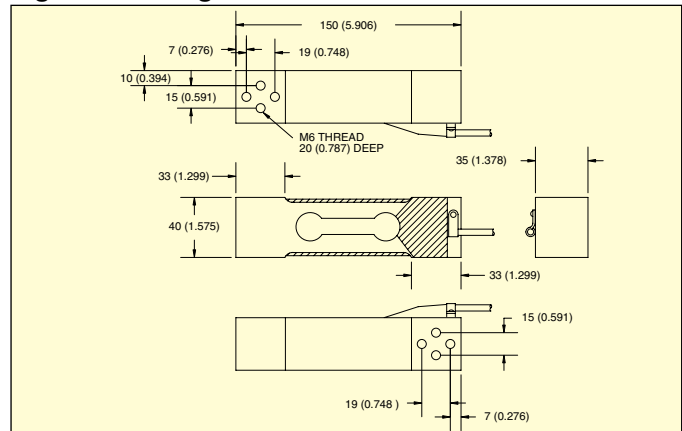
Dimensions: mm (inch)

Figure 3: 45 to 100 kgf



Dimensions: mm (inch)

Figure 4: 200 kgf



Dimensions: mm (inch)