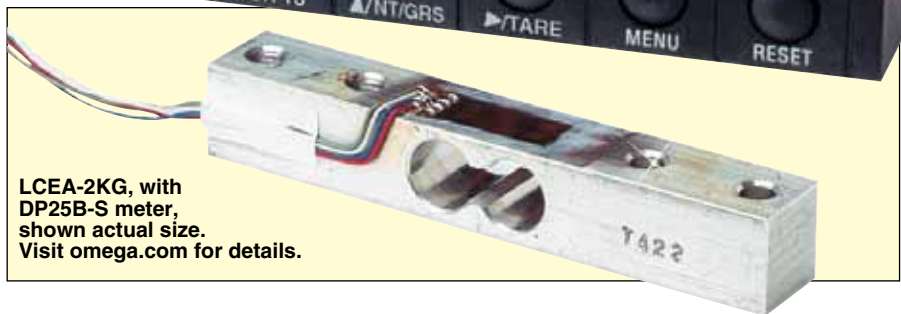


ECONOMICAL BENDING BEAM LOAD CELLS

Bi-directional
0-1 kg to 0-5 kg
0-2.2 lb to 0-11 lb

LCEA Series



LCEA-2KG, with DP25B-S meter, shown actual size. Visit omega.com for details.

- ✓ Economical Design—Ideal for OEM Use
- ✓ All-Aluminum Construction
- ✓ 1, 2, and 5 kg Ranges

The LCEA Series comprises economical bending beam load cells suitable for a variety of industrial and OEM force measurement and weighing applications. They are made of an aluminum alloy and come in 1, 2, and 5 kg ranges.

SPECIFICATIONS

Output: 0.5 mV/V ±10%
 (end user must calibrate to eliminate 10%)

Excitation: 5 Vdc (8 Vdc max)

Non-Linearity: 0.5% FS

Hysteresis: 0.3% FS

Zero Balance: ±1 mV/V

Operating Temperature:
 -10 to 80°C (14 to 176°F)

Compensated Temperature:
 0 to 65°C (32 to 140°F)

Temp Effect:

Zero: ±0.1% FS/°C

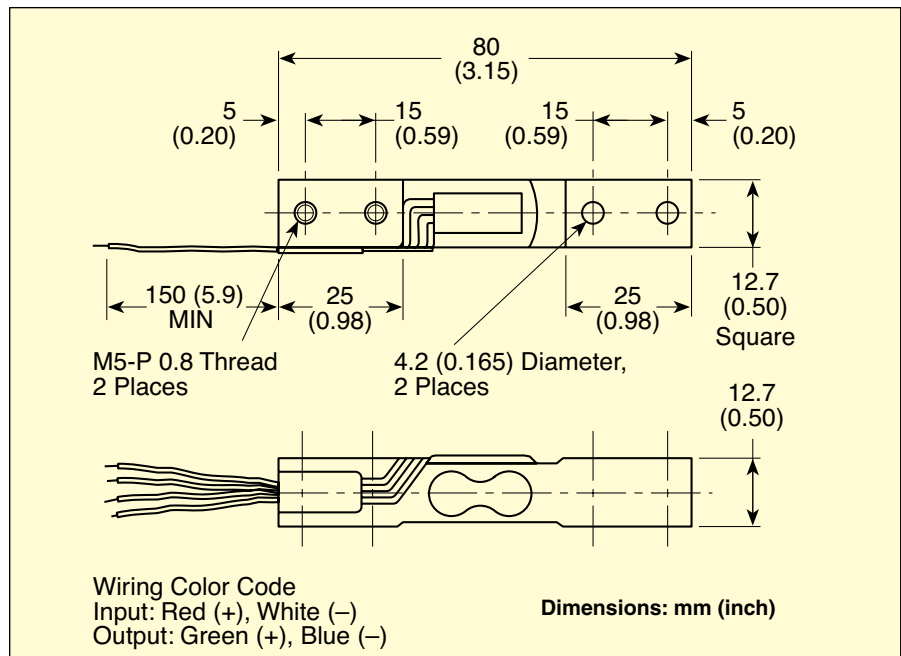
Span: ±0.1% rdg/°C

Bridge Resistance: 350 Ω

Safe Overload: 200% FS

Construction: Aluminum with acrylic resin protective coating

Lead Wire: 6", 30 AWG, pigtail leads



To Order Visit omega.com/lcea for Pricing and Details

CAPACITY		MODEL NO.	COMPATIBLE METERS*
kg	lb		
1	2.2	LCEA-1KG	DP25B-S, DP41-S, DP87
2	4.4	LCEA-2KG	DP25B-S, DP41-S, DP87
5	11	LCEA-5KG	DP25B-S, DP41-S, DP87

* Visit omega.com for compatible meters.

Ordering Example: LCEA-2KG, 2 kg load cell.